

# DCI

2015-2016 Product Catalog



Suggested Retail Prices Effective April 1, 2015

**INDEX**  
PAGE 273

**ORDER 24 HOURS / DAY – No Minimum Order Fees!**



[www.dcionline.com](http://www.dcionline.com)



[customerservice@dcionline.com](mailto:customerservice@dcionline.com)



503-538-9302

Or place orders from  
5:00 A.M. to 5:00 P.M. (PST):

Phone: 800-624-2793

Fax: 503-538-9302

Email: [customerservice@dcionline.com](mailto:customerservice@dcionline.com)

*\*For specials or custom configuration of standard product, please call for price quote.*

## DCI OFFERS LOWER SHIPPING COSTS!

Orders received by 4 P.M. (PST) are shipped the same day. Most orders are shipped via UPS 3-day delivery. You pay only the UPS Ground rate and DCI pays the difference! Delivery Systems are shipped via UPS Ground or via Freight.

## Terms

Net 30 days on approved accounts; Visa, Mastercard or American Express can be used until credit is approved.

**NO  
Restocking  
Fees!**

## RETURN PROCEDURE

### Overstock Items

Items must be in original condition to be eligible for return; no credit will be issued on used, installed, damaged or incomplete returns (no partial packages).

Modified, obsolete or discontinued items will not be accepted for credit. Returns will not be accepted outside of one year from the original invoice date.

### One Year Guarantee

DCI has put significant time and effort into designing, manufacturing or selecting all the fine products within this catalog. Therefore we are able to fully guarantee every product we sell to be free of manufacturing defects for one year from the time of purchase (except fiber optic tubing, handpiece turbines, and Copeland compressor heads which are guaranteed for 6 months). Should any product fail, for whatever reason due to manufacturing defect, DCI will repair or replace the product at no charge to the customer.

- ▶ Before returning the product, call DCI Customer Service for a Return Authorization Number. Please have the following information when you call:
  - Customer number
  - Part numbers and quantities for all return items
  - The corresponding DCI invoice or order number
- ▶ Carefully package all return items to prevent shipping damage.
- ▶ Write the Return Authorization Number on the outside of the package and reference the number on any accompanying items.
- ▶ Ship to DCI at the shipping address printed below.

**SHIPPING ADDRESS:** DCI, 305 N. Springbrook Road, Newberg, OR, 97132-0228, U.S.A.

**MAILING ADDRESS:** DCI, P.O. Box 228, Newberg, OR, 97132-0228, U.S.A.

Dear Valued Partner,

*What's new in 2015?*

**BETTER TECHNICAL SUPPORT.**

We know that when you have a technical question, you're looking for an answer *FAST*. That's why we've added more technical support agents on the phone and created online videos and support articles you can access anytime, anywhere.

**NEW PRODUCTS!**

We continue to listen to your feedback and add more parts so you can service all the offices in your area. Our new power optic system and more replacement A-dec® parts are just a few of the 100 new parts added this year.

**ONLINE ORDERING.**

DCI now offers fast, easy to use online ordering so you can order what you need from DCI anytime of the day or night.

**CATALOG APP.**

Download our catalog on your smart phone and access our product information from anywhere in the world.

Thank you for your continued support,

*John, Jason & Amy Spencer  
Family Owned & Operated Since 1983*



DCI's Customer & Technical Service Team is committed to providing the best service and solving your challenges quickly. Serving customer needs always comes first, from ensuring on-time delivery to answering product-related questions, we are here to support you.

## TECHNICAL SUPPORT



**Dave Terrill**  
Years with DCI: 19



**Gina Maxwell**  
Years with DCI: 13



**William Boardman**  
Years with DCI: 3



**Michael Rathky**  
Years with DCI: 1

## CUSTOMER SERVICE



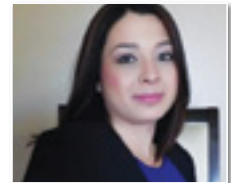
**Donna Simkins**  
Years with DCI: 29



**Debbie Taylor**  
Years with DCI: 23



**Heather Campbell**  
Years with DCI: 14



**Arcelia Mora**  
Years with DCI: 3



**Jen Boardman**  
Years with DCI: 2



**Kimi Williams**  
Years with DCI: 1



## TABLE OF CONTENTS

■ DCI Edge Operatory Equipment.....	13 – 34
■ Operatory Accessories.....	35 – 38
■ Handpiece Accessories & Fiber Optics.....	39 – 48
■ Syringes.....	49 – 62
■ Vacuum Components.....	63 – 80
■ Mounts, Arms & Holders.....	81 – 96
■ Foot Controls.....	97 – 104
■ Regulators, Filters & Valves.....	105 – 128
■ Fittings.....	129 – 146
■ Tubing.....	147 – 154
■ Service, Cabinet & Analgesia.....	155 – 176
■ Delivery System Parts.....	177 – 206
■ Light Parts & Bulbs.....	207 – 222
■ Chair Parts.....	223 – 230
■ Compressor & Vacuum Parts.....	231 – 252
■ Sterilizer Parts.....	253 – 266
■ Scaler Parts.....	267 – 272
■ Index.....	273 – 284

## Search over 5,000 OEM part numbers



DCI added the A-dec® and Pelton & Crane® **cross-reference guide** to the printed catalog as a new resource. Looking for other manufacturers? Visit the NEW [www.dcionline.com](http://www.dcionline.com) and search DCI's extensive cross-reference database with over 5,000 OEM part numbers!

Search by *brand, category, key word or cross-reference* to find what you're looking for fast!

A-DEC® PN	DESCRIPTION	DCI PN
0.02060201	O-Rings to fit A-dec®/W&H Roto Quick Couplers; Pkg of 3	4736
0.02201800	5-Hole HP Gasket	0124
0.02207300	6-Pin HP Gasket	4710
0.02207610	Bulb to fit A-dec®/W&H Handpieces, 3.5 V 750MA	9361
0.02675200	In-line Filter to fit A-dec®/W&H Assistina, 1/4"	2814
0.02760000	Turbine to fit A-dec®/W&H Handpieces 798/898	4773
0.02765500	Turbine to fit A-dec®/W&H Handpieces 796/896	4772
0.03505500	Turbine to fit A-dec®/W&H Handpiece TA-96	4774
0.03506000	Turbine to fit A-dec®/W&H Handpiece TA-98	4776
0.06391611	Turbine to fit A-dec®/W&H Handpiece TA-97LED	4775
0.06391711	Turbine to fit A-dec®/W&H Handpiece TA-98LED	4777
001.002.00	Screw, Slotted Truss Head, 2-56 x 1/8, Stainless Steel; Pkg of 10	9025
001.010.00	Screw, Socket Head, 6-32 x 5/8, Zinc; Pkg of 25	9056
001.021.00	Screw, Socket Head, 4-40 x 1/2, Stainless Steel; Pkg of 25	9061
001.023.00	Screw, Phillips Pan Head, 6-32 x 1-1/4, Stainless Steel; Pkg of 25	9128
001.024.00	Screw, Socket Head, 4-40 x 3/8, Stainless Steel; Pkg of 25	9060
001.026.00	Screw, Socket Head, 6-32 x 7/8, Stainless Steel; Pkg of 25	9057
001.033.00	Screw, Socket Head, 6-32 x 3/8, Zinc; Pkg of 25	9054
001.034.00	Screw, Socket Head, 6-32 x 1/4, Zinc; Pkg of 10	9021
001.034.01	Screw, Socket Head, 6-32 x 1/4, Zinc; Pkg of 25	9058
001.042.00	Screw, Socket Head, 6-32 x 1/2, Zinc; Pkg of 25	9055
001.070.00	Screw, Socket Head, 2-56 x 1/2, Zinc; Pkg of 25	9063
001.073.00	Screw, Slotted Pan Head, 6-32 x 1/4, Zinc; Pkg of 10	9024
001.089.00	Screw, Socket Head, 1/4-20 x 5/8, Zinc; Pkg of 25	9064
002.011.00	Screw, Socket Head, 6-32 x 1, Stainless Steel; Pkg of 25	9071
002.024.00	Screw, Socket Head, 4-40 x 3/4, Zinc; Pkg of 25	9062
002.097.00	Screw, Socket Button Head, 4-40 x 5/16, Stainless Steel	9051
003.078.00	Screw, Socket Head, 4-40 x 1/4, Zinc; Pkg of 25	9059
004.005.01	10-32 Washer, Plastic; Pkg of 100	0072
004.036.00	Washer, Nylon, .142 I.D. x .312 O.D.; Pkg of 50	9042
004.057.00	Brass Washer; Pkg of 10	9171
004.137.00	Washer for Water Bottle Cap	8136
007.001.00	Setscrew, Socket, 4-40 x 1/8, Stainless Steel	9065
007.002.00	Setscrew, Socket, 6-32 x 3/16, Stainless Steel; Pkg of 10	9022
007.051.00	Screw, Socket Cap Set, 10-32 x 1/2 Steel	9833
009.005.00	Ball Driver, 3/32"	9700
009.008.00	Hemostat	9325
009.013.00	O-Ring Tool Kit	9316
009.015.00	Umbilical Tubing Stringer, 12'	8094
009.018.00	Hex Wrench Set, Standard	9705
009.035.00	Tubing Stripper	8621
010.002.00	Retaining Ring, External, .18 I.D.; Pkg of 10	9035
010.013.00	Retaining Ring, Internal, 3/8 O.D.; Pkg of 10	9036
010.017.00	Retaining Ring, Internal, 1/4 O.D.; Pkg of 10	9037
010.019.00	Retaining Ring, External, .094 I.D.; Pkg of 10	9038
010.056.00	Foot Control Tower Spring Clip	6095
011.016.00	Foot Control Dowel Pin	0911
011.024.00	Pin, Dowel, .062 x .460; Pkg of 10	9032
011.038.01	Pin, Dowel, .062 x .430; Pkg of 10	9033
011.039.00	Pin, Dowel, .062 x .450; Pkg of 10	9034

A-DEC® PN	DESCRIPTION	DCI PN
013.004.00	Compression Spring, .88 x .420 O.D. x .037 Wire Dia.; Pkg of 10	9122
013.011.00	Compression Spring; Pkg of 10	9125
013.019.00	Compression Spring, .45 x .175 O.D. x .016 Wire Dia.; Pkg of 10	9124
013.022.00	Spring, Conical; Pkg of 10	9026
013.025.00	Spring Helical Comp.; Pkg of 10	9027
013.032.00	Spring, Conical .260 / .350 O.D.; Pkg of 10	9095
013.038.00	Syringe Button Spring, Conical; Pkg of 10	9028
017.007.01	Foot Control Bumper Pad, Gray; Pkg of 28	8070
018.022.00	Plug Hole, Domed; Pkg of 10	9176
021.004.00	1/8" MPT Hex Nipple	0094
021.007.00	1/4" MPT x FPT Street Elbow	0840
021.010.00	1/8" MPT Pipe Plug, Hex Head	0097
021.012.00	1/4" x 1/8" MPT Reducing Nipple	0836
021.014.00	1/8" FPT Cross	0096
021.016.01	10-32 Hex Plug; Pkg of 100	0189
021.016.04	10-32 Hex Plug; Pkg of 10	0073
021.020.00	1/8" MPT Pipe Plug, Socket Head	0099
021.027.00	10-32 Cross Connector, Female	0064
021.028.00	1/4" MPT Pipe Plug, Hex Head	0159
021.029.00	10-32 x 1/8" MPT Bushing	0091
021.030.00	1/4" FPT x 1/8" FPT Reducing Coupler	0133
021.032.00	1/8" Coupler, Female	0092
021.034.01	10-32 Connector Female; Pkg of 5	0063
021.042.00	1/8" MPT Adapters x 3/8" Compression Tube	0100
022.001.00	FIG 1/4 Poly x 1/8 MPT	0053
022.003.00	1/4" Poly x 1/8" MPT Elbow	0061
022.005.01	1/4" Poly Sleeve; Pkg of 10	0023
022.009.00	1/4" Poly Plug; Pkg of 5	0025
022.014.00	3/8" Poly Nut & Sleeve; Pkg of 5	0020
022.015.01	3/8" Poly Sleeve; Pkg of 10	0022
022.016.00	1/4" Poly x 1/8" FPT	0057
022.019.00	1/4" Poly Tee	0036
022.021.00	3/8" Poly x 1/8" MPT	0051
022.023.00	3/8" Poly x 1/4" FPT	0055
022.025.00	3/8" Poly x 1/8" MPT Elbow	0059
022.027.00	1/4" Poly x 1/4" FPT	0056
022.028.00	3/8" Poly x 1/4" MPT	0050
022.029.00	1/4" Poly Nut & Sleeve; Pkg of 5	0021
022.039.00	1/4" Poly Union	0032
022.041.00	1/4" Poly x 3/8" Compression Tube	0044
022.043.00	3/8" Poly x 3/8" Compression Tube	0864
022.044.00	3/8" Poly Union	0031
022.045.00	3/8" Poly Tee	0035
023.001.00	10-32 x 1/8", Barb; Pkg of 100	0188
023.001.03	1/8" Barb, Washer and Sleeve Kit; Pkg of 10	0075
023.004.03	1/16" Barb, Washer and Sleeve kit; Pkg of 10	0074
023.004.04	10-32 x 1/16", Barb; Pkg of 100	0187
023.005.01	1/16" Barb x 1/8" MPT	0067
023.014.02	1/16" Barb Tee, Plastic; Pkg of 10	0082
023.019.03	1/16" In-line Barb; Pkg of 10	0077
023.022.01	1/8" Barb x 10-32 Female x 1/8" Barb Tee; Pkg of 5	0076
023.029.00	1/8" x 1/4" Barb Adapter Kit	9111
023.030.02	1/8" Barbed Tubing Plugs; Pkg of 10	0066
023.045.04	1/8" In-line Barb; Pkg of 10	0078
023.057.01	1/4" Barbed Tubing Plugs; Pkg of 10	0105
023.070.00	Barb Restrictor 1/16 x 10-32	13886
023.088.00	1/4 Q.D. Barb to fit A-dec® 500 & 300 Control Block, Vinyl Tubing	9336



A-DEC® PN	DESCRIPTION	DCI PN	A-DEC® PN	DESCRIPTION	DCI PN
023.094.01	1/16" x 1/16" Inline Tubing Q.D., Swivel, Assy; Pkg of 5	0868	026.125.00	Female Q.D. to fit A-dec®, Self Contained Water	9172
023.095.01	1/8" x 1/8" Inline Tubing Q.D., Swivel, Assy; Pkg of 5	0866	026.130.00	Q.D. Kit to fit A-dec®, Air	9290
023.805.01	10-32 x 5/16", Barb; Pkg of 10	0171	026.132.00	Female Q.D. to fit A-dec®, Air	9291
024.010.00	Vacuum Tubing, 1-1/4" I.D., Corrugated Gray	706	026.134.00	Q.D. Kit to fit A-dec®, City Water	9292
024.015.00	Supply Tubing, 1/8", Poly Clear	1203	026.157.00	Female Q.D. to fit A-dec®, City Water	9173
024.015.01	Supply Tubing, 1/8", Poly Clear; Roll of 100 ft.	1203R	026.158.00	Manual Shut-Off Valve, 1/2" FPT Inlet	7100
024.028.00	Vacuum Tubing, 3/4" I.D., Corrugated Gray	704	026.160.01	Plug to fit A-dec® 500 & 300 Control Block; Pkg of 5	9237
024.037.00	Vacuum Tubing, 5/8" I.D., Corrugated Gray	703	026.161.00	1/8 Q.D. Barb to fit A-dec® 500 & 300 Control Block, Vinyl Tubing	9337
024.071.00	FC Tubing, 5 Hole, Poly Gray	512	026.174.01	1/8 Q.D. Barb to fit A-dec® 500 & 300 Control Block; Pkg of 5	9334
024.071.01	FC Tubing, 5 Hole, Poly Gray; Roll of 100 ft.	512R	026.175.01	3/16 Q.D. Barb to fit A-dec® 500 & 300 Control Block; Pkg of 5	9335
024.074.00	Vacuum Tubing, 1" I.D., Corrugated Gray	705	028.008.00	Plug, Solids Collector, Red, 1/2" O.D. x 1/4" I.D.; Pkg of 10	9177
024.076.00	Vacuum Tubing, 1-1/2" I.D., Corrugated Gray	707	030.001.02	O-Ring, Buna-n, .029 I.D. x .040 Width, -001; Pkg of 12	2225
024.090.04	Supply Tubing, 1/4", Poly Gray	1405	030.002.02	O-Ring, Buna-n, .042 x .050 Width, -002; Pkg of 12	2230
024.122.00	HP Tubing, 4 Hole, Asepsis Straight Black	431	030.003.02	O-Ring, Buna-n, .056 I.D. x .060 Width, -003; Pkg of 12	2201
024.123.00	HP Tubing, 4 Hole, Asepsis Straight Gray	432	030.004.02	O-Ring, Buna-n, .070 I.D. x .070 Width, -004; Pkg of 12	2229
024.130.00	HP Tubing, 3 Hole, Asepsis Straight Black	321	030.005.02	O-Ring, Buna-n, .101 x .070 Width, -005; Pkg of 12	2231
024.131.00	HP Tubing, 3 Hole, Asepsis Straight Gray	322	030.006.02	O-Ring, Buna-n, .114 I.D. x .070 Width, -006; Pkg of 12	2203
024.142.03	Saliva Ejector Tubing, 3/16" I.D., Vinyl Dark Surf	S615	030.007.00	O-Ring, Buna-n, .145 I.D. x .070 Width, -007; Pkg of 12	2232
024.144.03	Vacuum Tubing, 1/2" I.D., Smooth Asepsis Dark Surf	737	030.008.00	O-Ring, Buna-n, .176 I.D. x .070 Width, -008; Pkg of 12	2205
024.148.01	HP Tubing, 4 Hole, Asepsis Straight Dark Surf	435	030.009.01	O-Ring, Buna-n, .208 I.D. x .070 Width, -009; Pkg of 12	2233
024.148.04	HP Tubing, 4 Hole, Asepsis Straight Dark Surf; Roll of 100 ft.	435R	030.010.00	O-Ring, Buna-n, .239 I.D. x .070 Width, -010; Pkg of 12	2214
024.151.03	FC Tubing, 5 Hole, Poly Dark Surf	511	030.011.02	O-Ring, Buna-n, .301 I.D. x .070 Width, -011; Pkg of 12	2234
024.155.02	Syringe Sheath Tubing, 3 Hole, Dark Surf	645	030.012.02	O-Ring, Buna-n, .364 I.D. x .070 Width, -012; Pkg of 12	2210
024.202.01	Foot Control Sheath Tubing, 5 Hole, Asepsis, Dark Surf	653	030.013.02	O-Ring, Buna-n, .426 I.D. x .070 Width, -013; Pkg of 12	2207
024.218.03	Saliva Ejector Tubing, 3/16" I.D., Vinyl Gray	S601	030.014.02	O-Ring, Buna-n, .489 I.D. x .070 Width, Pkg of 12	2312
024.220.01	Vacuum Tubing, 1/2" I.D., Corrugated Gray	701	030.015.02	O-Ring, Buna-n, .551 x .070 Width, -015; Pkg of 12	2235
024.221.01	Vacuum Tubing, 1/2" I.D., Smooth Asepsis Gray	733	030.016.00	O-Ring, Buna-n, .614 I.D. x .070 Width, -016; Pkg of 12	2236
024.223.02	Syringe Sheath Tubing, 3 Hole, Gray	646	030.017.00	O-Ring, Buna-n, .676 I.D. x .070 Width, -017; Pkg of 12	2237
024.229.01	Foot Control Sheath Tubing, 5 Hole, Asepsis, Gray	654	030.018.00	O-Ring, Buna-n, .739 I.D. x .070 Width, -018; Pkg of 12	2215
024.232.01	Vacuum Tubing, 1-3/4" I.D., Corrugated Gray	708	030.019.03	O-Ring, Buna-n, .801 I.D. x .070 Width, -019; Pkg of 12	2238
025.002.01	Cable Tie, Adjustable, 8"; Pkg of 10	8058	030.020.00	O-Ring, Buna-n, .864 I.D. x .070 Width, -020; Pkg of 12	2223
025.007.01	1/8" Uni-Clamp, 2-Piece; Pkg of 10	0089	030.021.02	O-Ring, Buna-n, .926 I.D. x .070 Width; Pkg of 12	2270
025.007.02	1/8" Uni-Clamp, 2-Piece; Pkg of 100	0199	030.023.02	O-Ring, Buna-n, 1.051 I.D. x .070 Width, -023; Pkg of 12	2239
025.015.01	1/4" Clamp Sleeve; Pkg of 10	0070	030.026.01	O-Ring, Buna-n, 1.239 I.D. x .070 Width, Pkg of 12	2310
025.015.02	1/4" Clamp Sleeve; Pkg of 100	0197			
025.019.01	Cable Tie-Mount, Adjustable; Pkg of 10	8045			
025.036.01	Cable Tie, Adjustable, 4"; Pkg of 10	8054			
026.001.00	1/4" Poly Q.D. Panel Mount w/ Shut-off, Female	0011			
026.007.00	3/8" Q.D. Female x 1/4" MPT w/ Shut-off	0016			
026.015.00	1/4" Q.D. Female x 1/8" MPT w/ Shut-off	0018			
026.020.00	1/4" Poly Q.D. w/ Shut-off, Male 1/4"	0014			
026.022.00	3/8" Poly Q.D. Panel Mount w/ Shut-off, Female	0010			
026.029.00	1/4" Q.D. Female x 1/4" MPT w/ Shut-off	0017			
026.033.01	Syringe Valve Cores; Pkg of 10	3090			
026.035.00	1/4" Poly Q.D. w/o Shut-off, Male	0015			
026.036.00	Valve Mounting Bracket, Single	7078			
026.040.00	3/8" Poly Q.D. w/o Shut-off, Male	0013			
026.043.00	3/8" Poly Q.D. w/ Shut-off, Male	0012			
026.062.00	Manual Shut-Off Valve, 1/2" Compression x 3/8" Compression	7099			
026.065.00	1/4" Q.D. Panel Mount x 10/32 w/ Shut-off, Female	0006			
026.066.00	Air Filter Moisture Separator w/ 5 Micron Filter	7239			
026.073.02	Check Valve	7081			
026.074.00	Shuttle Valve, 1/8"	7090			
026.083.01	Rectangular Air Gauge	7270			
026.118.00	Round Pressure Gauge, Panel Mount, 0-100 PSI	7265			

A-DEC® PN	DESCRIPTION	DCI PN
030.034.02	O-Ring, Buna-n, 2.114 I.D. x .070 Width, -034; Pkg of 12	2240
030.110.00	O-Ring, Buna-n, .362 I.D. x .103 Width, -110; Pkg of 12	2241
033.003.01	O-Ring, Viton, .056 I.D. x .060 Width; Pkg of 12	2305
033.014.00	O-Ring, Viton, .489 I.D. x .070 Width, -014; Pkg of 12	2243
034.002.01	O-Ring, Viton, .042 I.D. x .050 Width, -002; Pkg of 12	2261
034.012.01	O-Ring, Viton, .364 I.D. x .070 Width, -012; Pkg of 12	2257
034.013.01	O-Ring, Viton, .426 I.D. x .070 Width, -013; Pkg of 12	2254
034.014.01	O-Ring, Ethylene Propylene, .489 I.D. x .070, -014; Pkg of 12	2228
034.107.01	O-Ring, Ethylene Propylene, .206 I.D. x .103 Width; Pkg of 12	2298
035.003.01	O-Ring, Buna-n, .029 I.D. x .040 Width; Pkg of 12	2245
035.004.01	O-Ring, Buna-n, .240 I.D. x .033 Width; Pkg of 12	2244
035.025.01	O-Ring, Buna-n, .070 I.D. x .040 Width; Pkg of 12	2211
035.048.01	O-Ring, Viton, .114 I.D. x .070 Width, -006; Pkg of 12	2242
035.050.01	O-Ring, Viton, .070 I.D. x .040 Width; Pkg of 12	2263
036.003.00	Supply Tubing, 1/8", Poly Yellow	1208
036.003.01	Supply Tubing, 1/8", Poly Yellow; Roll of 100 ft.	1208R
036.004.00	Supply Tubing, 1/8", Poly Blue	1202
036.004.01	Supply Tubing, 1/8", Poly Blue; Roll of 100 ft.	1202R
036.005.00	Supply Tubing, 1/8", Poly Red	1207
036.005.01	Supply Tubing, 1/8", Poly Red; Roll of 100 ft.	1207R
036.011.00	Tubing 1/8 Poly Purple 100' RL	1211
036.011.01	Tubing 1/8 Poly Purple 100' RL	1211R
036.019.00	Supply Tubing, 1/8", Poly White	1209
036.019.01	Tubing 1/8 Poly White 100' RL	1209R
036.020.00	Supply Tubing, 1/8", Poly Black	1201
036.020.01	Supply Tubing, 1/8", Poly Black; Roll of 100 ft.	1201R
036.026.00	Supply Tubing, 1/8", Poly Gray	1205
036.026.01	Supply Tubing, 1/8", Poly Gray; Roll of 100 ft.	1205R
036.031.00	Supply Tubing, 3/8", Poly Yellow	1608
036.031.01	Supply Tubing, 3/8", Poly Yellow; Roll of 100 ft.	1608R
036.033.02	Supply Tubing, 3/8", Poly Blue	1602
036.034.00	Supply Tubing, 3/8", Poly Gray	1605
036.034.01	Supply Tubing, 3/8", Poly Gray; Roll of 100 ft.	1605R
036.043.00	Supply Tubing, 1/4", Poly Dark Surf	1418
036.043.01	Supply Tubing, 1/4", Poly Dark Surf; Roll of 100 ft.	1418R
036.052.00	Supply Tubing, 1/4", Poly Orange	1406
036.053.00	Supply Tubing, 1/4", Poly Blue	1402
036.053.01	Supply Tubing, 1/4", Poly Blue; Roll of 100 ft.	1402R
036.066.00	Supply Tubing, 1/4", Poly Clear	1403
036.103.03	Supply Tubing, 1/4", Poly Yellow	1408
036.114.01	Supply Tubing, 5/16", Poly Yellow	1708
036.115.01	Supply Tubing, 5/16", Poly Orange	1706
036.116.01	Supply Tubing, 5/16", Poly Blue	1702
041.059.00	Multi-Function Foot Switch Push-Button Switch	9260
041.119.00	Multi Function Foot Switch Rocker Switch	2810
041.264.00	Starter, Fluorescent Light	9375
041.265.00	Ballast, 120V, Task Light, Fluorescent	9376
041.317.00	Bulb to fit A-dec® Power Optic HP Tubing, 3.5V 750MA	9363
041.336.00	Switch 3 Position Replaced by 2885	9183
041.372.00	Potentiometer	9258
041.513.00	Light Bulb, 12 VAC 55 Watt	8688

A-DEC® PN	DESCRIPTION	DCI PN
041.709.00	Bulb to fit A-dec® Light, 6300, 17 VAC 95 Watt	9364
042.583.00	CPU Vent	6819
042.584.00	Delta Soap Dispenser, Chrome	9302
042.584.01	Delta Soap Dispenser, White	9300
042.586.00	Soap Dispenser Bottle Replacement	9310
043.001.00	Tray, Stainless Steel, 9-3/4" x 13-1/2"	8013
044.158.00	Air Electric Switch, 10 PSI, Normally Open	7084
044.159.00	Air Electric Switch, 10 PSI, Normally Closed	7089
044.181.00	Air Electric Switch, 25 PSI, Normally Open	7080
044.183.00	Chair Limit Switch to fit A-dec®, Stop Function	9244
044.184.00	Chair Limit Switch	2794
044.184.01	Chair Limit Switch to fit A-dec®, Base or Back Function	9240
046.123.00	Circuit Breaker to fit A-dec®, Cascade 6300, 10 Amp	2888
049.004.01	Valve Cleaning HVE Brush; Pkg of 5	5620
049.005.01	Valve Cleaning Surgical Suction Tip Brush, Pkg of 5	5622
060.002.00	Loctite, Threadlock 242, .34 oz	8021
10.0010.02	High Volume Suction Aspirator Tip	5355
10.0440.00	Foot Control Spring, .093 O.D.; Pkg of 10	9029
10.0600.00	Stem w/ O-Ring (Button) AVS Locking to fit A-dec®	9174
11.0440.00	Dry Oral Cup	5840
11.0490.00	Dry Oral Cup Liners; Pkg of 1000	5845
11.1075.00	Replacement A-dec® Autoclavable Short Vacuum Valve w/ Quick Disconnect	5060
11.1105.00	Air Saliva Ejector Kit	5255
11.1177.00	Replacement A-dec® Autoclavable Extended Vacuum Valve w/ Quick Disconnect	5061
11.1191.00	Solids Collector Disposable Screen to fit A-dec® Cascade; Pkg of 144	6818
11.1284.01	Solids Collector Disposable Screen to fit A-dec® 500/300; Pkg of 144	5512
12.0183.00	Saliva Ejector Tip Push-on Autoclavable, Black	5750
12.0183.01	Saliva Ejector Tip Push-on Autoclavable, Gray	5754
12.0195.00	Saliva Ejector Tip Screw-on Autoclavable, Black	5740
12.0500.00	Water Saliva Ejector Kit	5256
12.0953.00	Air Pilot Valve, 2-Way, Normally Open	7071
12.1100.00	Replacement A-dec® Autoclavable Saliva Ejector w/ Quick Disconnect	5062
13.0375.00	Male Q.D. to fit A-dec®, Self Contained Water	9298
13.0381.00	Male Adjustable Q.D. to fit A-dec®, City Water	9299
13.0384.00	Male Q.D. to fit A-dec®, Air	24660
14.0010.00	AVS 1 Quart Bottle	5582
14.0416.00	750 ml Plastic Bottle w/ Cap & Pick-Up Tube	8128
16.0562.00	Storage Tub, Includes Hinge, Dividers, & Lid	8410
16.0566.00	Storage Tub Lid	8414
16.0568.00	Storage Tub Hinge	8413
19.0100.00	In-Line Filter, 10-32 Port	7251
19.0220.01	Filter Disc, Bronze, 5/8 O.D. x 1/16; Pkg of 5	9039
19.0230.00	Spring, Compression, .560 O.D. x .65; Pkg of 10	9127
22.0040.00	Spring Compression .30" O.D. Pkg of 10	9030
22.0060.00	Foot Control Poppet, Plastic; Pkg of 10	9010
22.0083.00	Piston Assy to fit A-dec® Foot Control	9160
22.0110.00	Foot Control Cover	6070
22.0135.00	Compression Spring; Pkg of 10	9123
22.0440.02	Diaphragm, 1"; Pkg of 10	9002
22.0460.00	Spring, Conical .255/.295 O.D.; Pkg of 10	9098
22.0462.00	Toggle Only, Detented, Black	7058
22.0462.01	Toggle Only, Detented, Gray	7064
22.0580.00	Compression Spring; Pkg of 10	9066
22.0774.01	Diaphragm to fit A-dec® Century Pac; Pkg of 10	9003





A-DEC® PN	DESCRIPTION	DCI PN	A-DEC® PN	DESCRIPTION	DCI PN
22.0776.00	Water Coolant Valve Stem to fit A-dec® Auto-Pac & Auto Block; Pkg of 3	9165	29.0100.00	Drive Air Adjustment Screw to fit A-dec®; Pkg of 3	9023
22.0778.00	Foot Control Relay Valve Stem w/ O-Rings	6098	29.0810.00	Micro Valve Stem w/ O-Rings, 2-Way to fit A-dec®	9013
22.0780.00	Syringe Tubing, 2-Hole, Straight Black	221	29.0820.00	Micro Valve Stem w/ O-Rings, 3-Way to fit A-dec®	9014
22.0999.00	Air Coolant Valve Stem, to fit A-dec® Auto-Pac & Auto Block	9164	29.0830.00	Stem w/ O-Rings 2-Way	9015
23.0020.02	Syringe Button, Valve Core	3080	29.0831.00	Valve Stem, to fit A-dec® Century II Block, w/o Water Retraction	9050
23.0039.00	Syringe Lever, Left, Plastic	2035	29.0835.00	Valve Stem, to fit A-dec® Century II Block, w/ Water Retraction	9048
23.0041.00	Syringe Lever, Right, Plastic	2034	29.0840.00	Valve Stem w/O-Rings, to fit A-dec® Century II Toggle Cartridge, 3-Way	9016
23.0048.00	Syringe Button, Lever Syringe	3070	29.0972.00	Valve Stem, to fit A-dec® Auto-Pac & Auto Block, Water Valve; Pkg of 3	9109
23.0173.00	Double Flow Restrictor	9317	30.0731.00	Stem Shut Off Valve w/ O-Rings to fit A-dec®	9163
23.0196.01	Gasket to fit A-dec® Recirculator; Pkg of 5	9322	33.0008.01	Cup Filler Valve, Momentary, 2-Way, Black	7167
23.0198.01	Diaphragm to fit A-dec® Recirculator; Pkg of 5	9321	33.0009.00	Toggle Valve, Side Ported, 2-Way, Black	7040
23.0230.00	Syringe Tubing, 2-Hole, Asepsis Coiled Black	231C	33.0025.00	Air Bleed Valve, to fit A-dec® Excellence & IC Holders	9152
23.0230.01	Syringe Tubing, 2-Hole, Asepsis Coiled Gray	232C	33.0025.01	Air Bleed Valve, to fit A-dec® Cascade Continental	9153
23.0790.00	Syringe Tubing, 3-Hole, Coiled Black	331C	33.0034.02	Toggle Valve, Momentary, 2-Way, Normally Closed, Gray	7021
23.0790.01	Syringe Tubing, 3-Hole, Coiled Gray	332C	33.0036.00	Toggle Only, Momentary, Black	7028
23.0872.00	Syringe Tip, Autoclavable, to fit A-dec® Syringes	3054	33.0036.01	Toggle Only, Momentary, Gray	7065
23.0872.01	Syringe Tip, Autoclavable, to fit A-dec® Syringes; Pkg of 5	3055	33.0048.03	Toggle Valve, Side Port, 3-Way, Black	7155
23.0872.02	Syringe Tip, Autoclavable, to fit A-dec® Syringes; Pkg of 50	3056	33.0048.04	Toggle Valve, Side Port, 3-Way, Gray	7156
23.0886.00	Collet Cone, Brass; Pkg of 5	2041	33.0080.00	Rear Ported Valve, 3-Way, Black	7160
23.0887.00	Collet Cone, Plastic	2040	33.0080.01	Rear Ported Valve, 3-Way, Gray	7161
23.1090.00	Syringe Tip Kit	3030	33.0096.00	Rear Ported Valve, 2-Way, Black	7163
23.1093.00	Lever Syringe Repair Kit	9326	33.0103.00	Water Coolant Valve Stem to fit A-dec® Century II	9019
23.1193.00	Retaining Screw to fit A-dec® Syringes; Pkg of 5	9150	33.0104.03	Toggle Routing Valve, Side Ported, Black	7150
23.1232.01	Syringe Button Assy to fit A-dec® Syringes	9186	33.0104.04	Toggle Routing Valve, Side Ported, Gray	7151
24.0100.03	Air On/Off Indicator, Red	7280	33.0106.00	Stem w/ O-Rings Micro Selector	9018
24.0128.01	Air Valve Repair Kit, White Body	9105	33.0117.00	Air Coolant Valve Stem to fit A-dec® Century II	9180
24.0129.00	Water Valve Repair Kit, Black Body	9093	33.0132.00	Air bleed Valve to fit A-dec® Unitized Holder, 90 Degree Barb	9151
24.0132.00	Piston w/O-Ring	9106	33.0134.00	Foot Control Micro Valve Assy, 2-Way	6003
24.0135.00	Air Valve, Housing, White Body	9097	33.0138.00	Holder Valve, Auto HP, Normally Closed, Side Port	5948
24.0136.01	5-Hole Gasket; Pkg of 10	9005	34.0003.00	Poppet to fit A-dec® Vacuum Drain Actuator	9159
24.0137.01	9-Hole Gasket; Pkg of 10	9004	34.0043.00	Relay Valve, Tooth Dryer	9243
24.0170.01	Single Shut Off Valve Assembly & Filter, Air	9187	35.0574.01	Gasket to fit A-dec® Century II Supply Manifold; Pkg of 10	9008
24.0175.01	Single Shut Off Valve Assembly & Filter, Water	9188	35.0824.02	Chair Adapter to fit A-dec® Priority	8515
24.0182.02	Mini Regulator, 10-32 Input, Self-Relieving	7205	35.1742.00	Chair Adapter to fit A-dec® Cascade	8522
24.0229.00	Housing, Filter, Air/Water	9108	38.0054.02	Foot Control Diaphragm, 3/4"; Pkg of 10	9012
24.0234.00	Filter Element, 40 Micron	7247	38.0074.01	Foot Control Toggle, Gray	6049
24.0234.01	Filter Element, 40 Micron; Pkg of 6	7248	38.0075.00	Toggle F.C. Dark Surf	6100
24.0251.01	Mini Regulator, 10-32 Input, Non-Relieving	7203	38.0075.03	Foot Control Toggle Kit, Dark Surf	6113
24.0355.00	Water Valve, Housing, Black Body	9094	38.0075.04	Foot Control Toggle Kit, Gray	9329
28.0503.01	Light Shield to fit A-dec® 6300	9390	38.0087.00	Micro Valve Stem w/ O-Rings to fit A-dec®, 2-Way, Balanced	9017
28.0566.00	Locking Tab to fit A-dec® Pivot Arm	9184	38.0102.00	Needle Valve Stem to fit A-dec®, Fine Control, w/ O-Ring	9067
28.0758.00	Circuit Breaker 10 Amp	9304	38.0104.00	Piston, to fit A-dec® Century Water Valve, w/ O-Ring	9069
28.1012.00	Light Shield Bracket Assy to fit A-dec® Cascade; Pkg of 2	8619	38.0106.00	End Cap, to fit A-dec® Century Water Valve, w/ O-Ring	9068
28.1584.00	Replacement A-dec® 6300 Track Flexarm Cable Assy for Lights after April 1, 2004	9578	38.0118.01	Gasket, to fit A-dec® Century Pac, 2.36 x .285; Pkg of 10	9047
28.1585.00	Replacement A-dec® 6300 Wall & Preference Mount Cable Assy for Lights after April 1, 2004	9577	38.0120.01	Diaphragm to fit A-dec® Century Pac, 1.240 x 2.375 x .013; Pkg of 10	9006
28.1586.00	Replacement A-dec® 6300 Post Mount Cable Assy for Lights after April 1, 2004	9579	38.0178.00	Control Block Cover w/ Screws Only to fit A-dec® Century II	9328
28.1587.00	Replacement A-dec® 6300 Ceiling Mount Cable Assy for Lights after April 1, 2004	9575			
28.1604.00	Replacement A-dec® 6300 Track & Trolley Cable Assy for Lights after April 1, 2004	9580			
28.1838.00	Gasket, Clear, to fit A-dec® Century Pac Auto Block; Pkg of 10	9576			
29.0050.01	Gasket, Clear to fit A-dec® Century Pac Auto Block; Pkg of 10	9009			

A-DEC® PN	DESCRIPTION	DCI PN
38.0179.02	Diaphragm, to fit A-dec® Century II, Front Cap, 3/4 x 1"; Pkg of 10	9046
38.0186.02	Gasket to fit A-dec® Century II Control Block; Pkg of 10	9007
38.0193.01	Tie Bolt Kit, to fit A-dec® Century II, 3 block	9149
38.0194.01	Tie Bolt Kit, to fit A-dec® Century II, 4 block	9117
38.0208.00	Spring, Extension	9121
38.0211.00	Valve Stem Assy to fit A-dec® Foot Control	9166
38.0213.00	Foot Control Spool	6022
38.0223.02	Control Block to fit A-dec® Century II	9146
38.0237.00	Foot Control Retaining Ring, Dark Surf	6107
38.0246.00	Foot Control Stem Assy	6096
38.0319.00	Foot Control Shroud, No Holes, Gray	6047
38.0319.02	Foot Control Shroud, No Holes, Dark Surf	6102
38.0320.00	Foot Control Shroud, 1-Hole for Button, Gray	6057
38.0320.02	Foot Control Shroud, 1-Hole for Toggle, Dark Surf	6103
38.0321.00	Foot Control Shroud, 2-Hole, Gray	6053
38.0321.02	Foot Control Shroud, 2-Hole, Dark Surf	6104
38.0450.00	Foot Control, Standard w/ Signal Relay, Gray Tubing	6400
38.0451.00	Foot Control, Chip Blower w/ Signal Relay, Gray Tubing	6405
38.0452.00	Foot Control, Wet/Dry w/ Signal Relay, Gray Tubing	6410
38.0453.00	Foot Control, Scaler w/ Signal Relay, Gray Tubing	6420
38.0454.00	Foot Control, Wet/Dry & Chip Blower w/ Signal Relay, Gray Tubing	6415
38.0504.07	Tie Bolt Kit, to fit A-dec® Century Plus, 3 block	9114
38.0504.08	Tie Bolt Kit, to fit A-dec® Century Plus, 4 block	9116
38.0504.09	Tie Bolt Kit, to fit A-dec® Century Plus, 5 block	9115
38.0507.01	Gasket, Clear, to fit A-dec® Century Plus Control Block; Pkg of 10	9158
38.0510.00	Drive Air Stem to fit A-dec® Century Plus Control Block	9311
38.0516.00	Stem Flow w/ O-Ring Assy	9257
38.0517.00	Air Bleed Cartridge to fit A-dec® Century Plus; Pkg of 3	9167
38.0518.00	Flush Check Valve Cartridge to fit A-dec® Century Plus Control Block; Pkg of 3	9168
38.0519.01	Diaphragm to fit A-dec® Century Plus Control Block; Pkg of 10	9161
38.0520.00	Coolant Water Cartridge to fit A-dec® Century Plus Control Block; Pkg of 3	9169
38.0526.00	Air Coolant Stem w/ O-Ring to fit A-dec® 500	9313
38.0537.01	Service Kit to fit A-dec® Century Plus Control Block	9154
38.0550.01	Gasket, Red, to fit A-dec® Century Plus Control Block; Pkg of 5	9157
38.0604.00	Foot Control Toggle Assy, 3-Way, Dark Surf	6110
38.0610.00	Foot Control Button Assy for Chip Blower, 2-Way, Dark Surf	6111
38.0612.00	Foot Control Button Assy for Scaler, 3-Way, Dark Surf	6112
38.0648.00	Dry Block Kit to fit A-dec® Century Plus	9315
38.0711.01	Diaphragm to fit A-dec® Performer Control Block, Pkg of 5	9319
38.0763.00	Foot Control Shroud, 1-Hole for Button, Dark Surf	6106
38.1601.00	Foot Control, Wet/Dry & Scaler, Dark Surf	6306
38.1779.01	Cartridge Retaining Ring to fit A-dec® 500; Pkg of 5	9305
38.1780.00	Water Cartridge to fit A-dec® 500 Block Water Cartridge	9307
38.1783.00	Dry Cartridge to fit A-dec® 500 Block	9306

A-DEC® PN	DESCRIPTION	DCI PN
38.1785.01	Drive Air Stem to fit A-dec® 300/500 Control Block	9323
38.1787.01	Diaphragm to fit A-dec® 500 Control Block; Pkg of 5	9309
38.1808.01	Adjustment Key to fit A-dec® 500; Pkg of 4	9314
38.1832.00	Foot Control Toggle Assy, Gray	6132
38.1833.01	Diaphragm to fit A-dec® 300 Control Block; Pkg of 5	9308
39.0790.00	Non-Slip Pad, 6" x 11.5"	8222
40.0270.00	Syringe Water Heater, Air Actuated On/Off, 110/120 VAC	3211
40.0281.00	Flow Restrictor	7022
40.0756.01	Diaphragm to fit A-dec® Vacuum Drain; Pkg of 5	9318
40.0772.00	Stem to fit A-dec® Vacuum Valve w/ O-Ring	9162
40.0849.00	Cuspidor Bowl	5311
42.0085.00	Cuspidor Screen	5312
42.0537.03	Toggle Valve, Momentary, Rear Ported, 2-Way, Black	7168
42.0683.03	Toggle Valve, Momentary, Rear Ported, 2-Way, Gray	7169
42.0701.00	Valve Mounting Bracket, Double	7079
50.0056.00	Rubber Gasket 4-Hole Terminal	0123
50.0116.00	Gasket 3-Hole Terminal Rubber	0122
50.0271.00	Handpiece Pressure Tester w/ 0-60 PSI Gauge	7263
54.0014.00	Gasket to fit A-dec®/W&H Lisa Sterilizer	2186
54.0049.00	Water Pump to fit A-dec®/W&H Lisa Sterilizer	9303
54.0051.00	Vacuum Pump Service Kit to fit A-dec®/W&H Lisa Sterilizer (HX10P3)	9420
54.0066.01	Inline Water Filter to fit A-dec®/W&H Lisa Sterilizer	9422
54.0067.00	Air Intake Filter to fit A-dec®/W&H Sterilizer	2812
55.1934.00	Drawer Push Latch w/ Screws	6807
56.0339.00	Bracket 2 Position Assy 1/4 x 3/8	7113
61.0197.00	Hydraulic Oil	2691
61.1679.00	Toe Board Cover to fit A-dec® Model 1040	2806
61.2065.00	Chair Limit Switch, Back Function, to fit A-dec® Cascade 1040	9242
61.3048.00	Replacement Membrane to fit A-dec® Chair Foot Control	2943
65.0208.00	Assistant Stool Cylinder, 45mm Dia.	2962
65.0209.00	Assistant Stool Cylinder, 45mm Dia. to fit A-dec®	2963
65.0227.00	Doctor Stool Cylinder, 45mm Dia.	2964
65.0625.04	Caster, Soft Wheel for Hard Floors, Surf	2948
65.1625.04	Caster, Soft Wheel For Hard Floors, Gray	2946
75.0035.01	Cuspidor Screen 2 1/2", Gray; Pkg of 144	5313
75.0911.01	Diaphragm to fit A-dec® Air Switch Century Plus; Pkg of 5	9320
82.0305.02	Toggle Routing Valve, 2-Way, Gray	7001
90.0003.00	3/8" Compression Tube x 10-32 Female	7112
90.0010.00	Repair Kit to fit A-dec® Foot Control I	9141
90.0012.00	Service Kit to fit A-dec® Auto-Pac & Auto Block Air Valve	9142
90.0014.00	Service Kit to fit A-dec® Auto-Pac & Auto Block Water Valve	9143
90.0030.00	Service Kit to fit A-dec® Air Filter Regulator	9139
90.0040.00	Service Kit to fit A-dec® Air & Water Regulator	9145
90.0070.00	Service Kit to fit A-dec® Water Filter Regulator	9138
90.0090.00	Shut Off Valve Service Kit	9140
90.0304.00	Front Cap Kit to fit A-dec® Century II Control Block	9147
90.0312.00	Repair Kit to fit A-dec® Foot Control II	9049
90.0313.00	Repair Kit to fit A-dec® Foot Control, Lever Style	9144
90.0319.00	Repair Kit to fit A-dec® Vacuum Drain Actuator	9137
90.0321.00	Rebuild Kit to fit A-dec® Century II Block, w/o Water Retraction	9052



A-DEC® PN	DESCRIPTION	DCI PN
90.0370.00	Q.D. Kit to fit A-dec®, Bottled Water	9293
90.0460.03	750ml Water Bottle Kit	9327
90.0463.01	Lamp Socket to fit A-dec® 6300	2887
90.0593.00	Service Kit to fit A-dec® Foot Control III	9082
90.1031.00	Capacitor to fit A-dec® Chairs	9245
90.1039.00	Power Switch, 125 Vac 15 Amp	8114
90.1043.00	Intensity Switch to fit A-dec® 6300, High / Med / Low	2885
90.1053.00	Replacement A-dec® Cascade 6300 Cable Kit for Lights Prior to April 1, 2004	9583
90.1054.00	Replacement A-dec® Performer & Pre-Cascade 6300 Cable Kit from Light Through Flexarm to Postbox	9581
90.1314.00	Replacement Upgrade Toggle Kit A-dec® 371 Light Cable Assy	9582
97.0200.00	Air Filter Regulator Diaphragm Replacement Kit	7217
97.0280.02	Wilkerson Filter Element & O-Ring	7226
98.0010.00	Tool to fit A-dec® Syringes	9286
98.0072.00	Sleeve Tool, Plastic, 1/8" & 1/4"	8060
98.0090.01	Lubricant, Silicone, .04 oz; Pkg of 5	8034
98.0180.00	3-Hole HP Metal Nut	121N
98.0190.00	4-Hole HP Nut Auto Tapered	120N
98.0261.01	ISO 5-Hole Power Optic HP Tubing, Coiled, Dark Surf	8760
98.0262.02	ISO 5-Hole Power Optic HP Tubing, 7', Dark Surf	8953
98.0262.14	ISO 5-Hole Power Optic HP Tubing, 12', Dark Surf	8955
98.0305.00	HP Tubing, 3-Hole w/ CT, Asepsis Coiled, Black	321CT
98.0305.01	HP Tubing, 3-Hole w/ CT, Asepsis Coiled, Gray	322CT
98.0310.00	3-Hole Terminal Metal Connector Only	0121
98.0445.00	HP Tubing, 4-Hole w/ CT, Asepsis Coiled, Black	431CT
98.0445.01	HP Tubing, 4-Hole w/ CT, Asepsis Coiled, Gray	432CT
98.0450.00	4-Hole Terminal	0120
98.0510.00	HP Tubing, 3-Hole w/ CT, Asepsis Straight, Black	321T
98.0536.00	HP Tubing, 4-Hole w/ CT, Asepsis Straight, Black	431T
98.0660.00	Tubing HP Exhaust Muffler	0949
98.0867.02	Control Adjustment Key to fit A-dec® Cascade / Decade 4400; Pkg of 5	9324
98.0879.00	HP Tubing, 4-Hole w/ CT, Asepsis Straight Dark Surf	435T
98.0885.00	ISO-C 6-Pin Power Optic HP Tubing, 7', Dark Surf	8990
98.1093.00	HP Tubing, 3-Hole w/ CT, Asepsis Straight, Gray	322T
98.1094.00	HP Tubing, 4-Hole w/ CT, Asepsis Straight, Gray	432T
98.1095.00	ISO 5-Hole Power Optic HP Tubing, 7', Gray	8933
98.1096.00	ISO-C 6-Pin Power Optic HP Tubing, 7', Gray	8996
98.1111.00	ISO 5-Hole Power Optic HP Tubing, 12', Gray	8977
98.1112.00	ISO-C 6-Pin Power Optic HP Tubing, 12', Gray	8998
98.1113.00	HP Tubing, 4-Hole w/ CT, 12', Asepsis Straight, Gray	445T
99.0528.00	Holder Assy, Standard, Black	5945
99.0528.01	Holder Assy, Standard, Gray	5965
99.0537.00	Holder, Auto HP, w/ Lockout Toggle, Black	5940
99.0537.01	Holder, Auto HP, w/ Lockout Toggle, Gray	5960
99.0541.00	Holder Replacement, Auto HP, Black	5941
99.0541.01	Holder Replacement, Auto HP, Gray	5961
99.0547.00	Holder, Electric Auto, Normally Open, Black	5966
99.0547.01	Holder, Electric Auto, Normally Open, Gray	5967
99.0550.00	Holder Replacement, Standard, Black	5942
99.0550.01	Holder Replacement, Standard, Gray	5962

## Pelton &amp; Crane® Products

P&C® PN	DESCRIPTION	DCI PN
3.83	Valve Needle w/o Knob, w/ Small Barbs	7049
1210	Gauge Temperature Sentry	2119
2218	O-Ring 55-85 Buna-n Bulk Y	11749
2252	O-Ring, Viton, .053 I.D. x .064 Width; Pkg of 12	2252
3025	Block Syringe Assy	3025
3085	Syringe Button w/ Spring, Quick Clean	3085
004007	Union Tee 5/16 Comp	0136
004014	Pelton & Crane Door Seal, OCM, 8"	2100
004146	Relief Valve, Midmark / Ritter M9 & M11, Pelton & Crane® OCM & OCR	2816
004341	Pelton & Crane® Door Seal, OCR, 10"	2101
4430	HP Tri-Block Diaphragm	4430
4433	HP Quad-Block Diaphragm	4433
004924	Pelton & Crane® Head Gasket; Pkg of 3	2671
004925	Pelton & Crane® Valve Plate Gasket; Pkg of 3	2672
004930	Pelton & Crane® Motor End Gasket; Pkg of 3	2674
5070	Pelton & Crane® Motor Isolator Spring; Pkg of 12	2673
5088	Standard Autoclavable Saliva Ejectors w/ Quick Disconnect & Threaded Tip	5088
005159	1/4" MPT x FPT Street Elbow	0840
5171	Economy Autoclavable Extended Vacuum Valve Lever	5171
5174	Swivel Q.D. HVE w/ O-Ring, P&C	5174
5670	Economy Autoclavable Saliva Ejector Lever	5670
5810	Vacuum Canister Kit Black	5810
5866	Vacuum Canister Cap w/ O-Ring, Bracket Mounted, Gray	5866
5888	Vacuum Canister Cap w/ O-Ring, Bottom & Side Mounted, Gray	5888
5998	Stem w/ O-Rings for Auto HP Holder Valve, Normally Open	5998
6132	Foot Control Toggle Assy, Gray	6132
006702	Pelton & Crane® Knuckle Washer, LF II; Pkg of 12	8698
006777	Pelton & Crane® Light Shield, LF I	8600
7054	Side Port Needle Valve	7054
7084	Air Electric Switch, 10 PSI, Normally Open	7084
007096	Power Switch, 125 Vac 15 Amp	8114
7132	Pelton & Crane® Water Relay w/ Flow Control	7132
007427	Pelton & Crane® Chairman Chair Switch, Black Toggle	9248
007428	Pelton & Crane® Chairman Chair Switch, White Toggle	9247
007898	Pelton & Crane® Chairman Chair Switch, Auto Position, Red Push Button	9249
007899	Pelton & Crane® Chairman Chair Switch, Auto Return, Black Push Button	9254
11032	1/4" Poly Q.D. Panel Mount w/ Shut-off, Female	0011
11064	10-32 Coupler, Male; Pkg of 5	0062
11064	10-32 Coupler, Male	0062-1
11069	10-32 Cross Connector, Female	0064
11069	10-32 Cross Connector, Female	0064-1
11070	10-32 Tee Connector, Female	0065
11092	1/8" Barb x 10-32 Female x 1/8" Barb Tee; Pkg of 5	0076
11092	1/8" Barb x 10-32 Female x 1/8" Barb Tee	0076-1
11094	1/16" In-line Barb	0077-1
11097	1/8" In-line Barb; Pkg of 10	0078
11097	1/8" In-line Barb	0078-1

P&C® PN	DESCRIPTION	DCI PN
11100	1/16" x 1/8" In-line Barb; Pkg of 10	0079
11100	1/16" x 1/8" In-line Barb	0079-1
11155	4-Hole Terminal	0120
11217	Barb Press In 3/16"	0985
11217	Barb Press In 3/16"	11217
11217.	Barb Press In 3/16"	0985
11493	Garden Hose Washer	0850-1
11624	Supply Tubing, 1/4", Poly Clear	1403
11723	O-Ring, Buna-n, .176 I.D. x .070 Width, -008; Pkg of 12	2205
11727	O-Ring, Buna-n, .426 I.D. x .070 Width, -013; Pkg of 12	2207
11737	O-Ring, Buna-n, .180 I.D. x .040 Width; Pkg of 12	2212
11779	O-Ring, Buna-n, .676 I.D. x .070 Width, -017; Pkg of 12	2237
11797	O-Ring, Buna-n, 2.109 I.D. x .139 Width; Pkg of 12	2246
11797	-227 O-Ring Bulk	2246-1
12149	Cuspidor Screen	5312
12159	Knob Only, Needle Valve, Gray	7069
12173	Block Syringe Alternative-Elct	3032
12188	Cuspidor Bowl	5311
12208	Valve Cleaning HVE Brush; Pkg of 5	5620
12208	Valve Cleaning HVE Brush	5620-1
12209	Valve Cleaning SE Brush; Pkg of 5	5621
12209	Valve Cleaning SE Brush	5621-1
12354	Actuator Lever for 5960, Gray	5972
12490	Toggle Valve, Momentary, 3-Way, Normally Closed, Black	7025
12490	Valve Momentary 3-Way N.C.	7025-1
12517	Needle Valve w/ Knob, Gray	7052
12527	Water Relay, Retracting	7060
12527	Water Relay, Retracting w/o Barbs, Washers	7060-1
12624	Rectangular Air Gauge	7270
12638	Cart Frame, Small U-Frame	8006
12643	Tray, Stainless Steel, 9-3/4" x 13-1/2"	8013
12736	Block Pin Mount-Anodize / Grn	12736
12822	Storage Tub, Includes Hinge, Dividers, & Lid	8410
12830	Bar Holder Tub	8399
12923	Bearing Bronze	12923
12923	Bushing, .50 I.D. .625 O.D. 1" LG Brz	8284
12929	Pin Spring 3/16 O.D. x 1/2 LG SS Y	12929
12953	Nut Hex 6-32 SST	9714
13006	Washer .510 x .990 x .031THK White Delrin	13006
13007	Washer .201 x .46 x .062 Nylatron	13007
13053	SCR FH SOC 10-32 x 3/8 SST Y	13053
13060	SCR SET SOC 10-32 x 1/4 OP STL	9844
13066	SCR SOC CAP 6-32 x 1/2 SSTY	13066
13070	SCR BH SOC 10-32 x 1/4 SSTY	13070
13075	SCR BH SOC 10-32 x 1/2 SST	9795
13077	Screw SST	9861
13083	SCR.BH.SOC 10-32 x 3/8 SST	9072
13085	SCR BH SOC 8-32 x 1/4 SST	13085
13203	Automatic HP Tri-Block	4421
13269	SCR BH SOC 6-32 x 3/8 SST	9794
13501	Toggle Cartridge Valve, Momentary, 3-Way, Normally Closed, Gray	7813
013553	Pelton & Crane® LFII Dimmer Switch	2960
13606	SCR BHSC 1/4-20 x 3/4 SST Y	13606
13612	Toggle Valve, On/Off, 3-Way, Gray	7016

P&C® PN	DESCRIPTION	DCI PN
13613	Toggle Valve, On/Off, 3-Way, Gray	7016
13614	Toggle Routing Valve, 2-Way, Gray	7001
13707	1/16" Cross Connector, Metal	0952
13777	Bushing, Light Post, 1-7/8 x 1-3/8	8471
13779	Vacuum Canister Side Port w/ Bracket	5872
13866	Economy Autoclavable Saliva Ejector w/ Quick Disconnect	5660
14129	Swivel SE w/ O-Ring Anodized	5671
14149	SCR FH SOC 6-32 x 1/4 SSTY	14149
14183	Pin .062 DIA x .35 LG SST	9647
14219	Cap Bottle w/ PS-22 Seal 28 mm x 19.0 mm	8126
14391	Screw Button HD SOC 6-32 x 3/4	9754
014451	Pelton & Crane® Temperature Gauge, OCM & OCR	2118
14528	Tubing Stripper	8621
14571	Toggle Valve, Side Port, 3-Way, Gray	7156
14693	O-Ring, Buna-n, .270 I.D. x .070 Width; Pkg of 12	2260
14693	O-Ring, 5-052 Buna	2260-1
14827	Tip Assist. Arm	8268
14845	Block, Mount, Tri-Block	14845
14846	SCR BH SOC 6-32 x 1/2 SST	14846
14880	Water Relay, Non-Retracting	7068
014901	Pelton & Crane® Light Reflector Bushing, LF II; Pkg of 2	8700
14911	Flow Restrictor	7022
15155	Adjustable Cuspidor Hinge	4152
15179	Side Port Needle Valve	7054
15180	2-Way N.C. Toggle Valve Gray	7158
15181	Shroud Upper Cuspidor	6709
15197	Knob Only, Needle Valve, Gray	7069
15205	Pin-Stop	15205
15227	SCR SOC CAP 10-32 x 5/8 SSTY	15227
015408	Pelton & Crane® LF II Dimmer Switch Knob	2961
15532	Pivot Telescoping Arm	15532
15541	Pin Dowell .250 DIA x 7/8 LG SST Y	15541
15542	Pin Dowell .1875 DIA x 3/4 LG SST Y	15542
15591	Clip FC Support	15591
15599	Shuttle Valve, 1/8"	7090
15613	SCR. SOC CAP 1/4-20 x 3/4 SST	15613
15622	Cart Frame, Standard H-Frame	8001
15640	Screw, Flat Head, Socket Head, 1/4-20 x 1 SST	15640
15701	Valve Moment, 3-Way NC Side Port Gray Toggle	7013
15717	Syringe Quick Disconnect Sleeve, Autoclavable	3325
15805	Toggle Cuspidor Aluminum	7024
15889	750 ml Plastic Bottle w/ Cap & Pick-Up Tube	8128
15975	Cart End Cap, Dome Shape, Gray	9224
16010	Toggle Valve, Momentary, 3-Way w/ Special Toggle	7009
16011	Toggle Valve, Momentary, 2-Way w/ Special Toggle	7014
16024	Vacuum Canister 1/2" Plug HVE Port	5811
16065	Plug Dome .375 Gray	9239
16087	SCR SET CP 1/4-28 x 1/4 SST	16087
16135	Valve Rear Ported 3-Way	7162
16218	Utility Center, Premium, Less Frame & Cover	8327
16253	SCR. FH. PHIL. #2 x .375 LG TYPE A SSTY	16253
16311	Washer for Water Bottle Cap	8136
16366	Solids Collector Disposable Screen	5823
16420	Holder, 3-Position, Holds SE & HVE by Base	8333
16421	Holder, 4-Position, Holds 2 HVE's by Base	8335
16479	Holder, Auto HP, Molded, Normally Closed, White	4561
16480	Holder, Standard, Molded, White	4566



P&C® PN	DESCRIPTION	DCI PN
16660	Barb, 1/16 for Water System Manifold	0165
16661	Barb, 1/8 for Water System Manifold	0166
016749	Pelton & Crane® Gas Spring Adjusting Tool	8697
16850	Nut 4-Hole Plated (Brass)	16850
17019	O-Ring Size 117 Buna-N 3-50-2117-10 Y	17019
17019	O-Ring, Buna-n, .799 I.D. x .103 Width; Pkg of 12	2297
17019	O-Ring, Buna-n, .799 I.D. x .103 Width	2297-1
18997	Automatic HP Quad-Block	4425
19035	Foot Control, Wet / Dry, Sterling Tubing	6322
19035	FC Disc Type Wet / Dry w/ 10' Sterling Gray Tubing	6323
19037	Foot Control, Wet / Dry & Chip Blower, Sterling Tubing	6324
19189	2-Way N.C. Toggle Valve Gray	7158
19189	Toggle Valve, Momentary, Rear Ported, 2-Way, Gray	7169
019315	Toggle Valve, On/Off, 2-Way, Gray	7012
019316	Push Button Valve, Momentary, 2-Way, Normally Closed, Black	7030-1
19350	Holder Auto Molded Assy	19350
19350	Holder Auto Molded White w/ Marus, Gray Tubing	4567
19509	FC Disc Type Wet / Dry w/ 10' Sterling Gray Tubing	6323
19511	Holder, Standard, Molded, Gray	4568
19514	Holder, Auto HP, Molded, Normally Closed, Gray	4869
19682	Bottle Adapter w/ Washer, Water Bottle Quick-Switch	8943
19685	Pin Dowel .125 x 1.5 LG; Replaced by 9662	19685
19685	Pin Dowel .125 x 1.5 LG	9662
19819	Stem w/o Gage Port Q.D.	19819
0022438	Pelton & Crane® Light Reflector, LFI & LF +	8610
023940	Pelton & Crane® Light Reflector Bushing, LF II; Pkg of 2	8700
040262	Transformer, Input 110-120V, Output 9VDC 1 AMP	8966
040267	5-Hole Lamp Module, Red Gasket	8813
040274	Bottle 2 Liter w/o Logo Blow Molded	8169
040343	Vacuum Tubing, 1/2" I.D., Smooth Asepsis Sterling	742
040423	FC Tubing, 2-Hole, Poly Sterling	246
040735	Swivel Q.D. SE P&C Anodized	17986
041202	Syringe, Standard, Quick-Clean, Less Tubing & Kit	3430
041207	Syringe Repair Kit, Quick-Clean	3066
041759	Caster, Soft Wheel For Hard Floors, Gray	2946
041772	Assistant Stool Cylinder, 45mm Dia.	2962
041789	Doctor Stool Cylinder, 45mm Dia.	2964
041812	Vacuum Tubing, 3/4" I.D., Corrugated Sterling	715
042067	5-Hole Lamp Module, Black Gasket	8773
042103	Foot Control, Wet/Dry & Chip Blower, Sterling Tubing	6324
042811	Vacuum Tubing, 1/2" I.D., Asepsis Gray	731
042812	Vacuum Tubing, 5/8" I.D., Asepsis Sterling	739
042929	Rectangular Air Gauge	7270
042942	H-Frame Assembly DCI	15622
042942	Cart Frame, Standard H-Frame	8001
043217	HP Muffler & Oil Collector	7321
043990	Shut Off Valve Bowl Rinse 1500 Cuspidor	043990
043990	Time Delay Valve, Cuspidor Assy	9275
044251	Saliva Ejector Basket, Plastic; Pkg of 10	5755
044251	Saliva Basket Plastic Bulk	5755-1
044255	Vacuum Valves 1/2" Quick Disconnect Swivel	5082
044255	Swivel Pelton w/o Pin w/ O-Ring	5138
044255	Swivel Q.D. HVE Alum w/ O-Ring	5173
044257	10-32 Swivel Elbow	0167
045004	Deluxe Power Pack	8937
045431	Venturi Y Tube Assy	5245

P&C® PN	DESCRIPTION	DCI PN
045431	Drain "Y" Assembly	5267
045606	Cart Frame, Small U-Frame	8006
045831	Flow Adjusting Screw w/ O-Ring	2110
045962	FC Tubing, 3-Hole, Poly Sterling	349
045972	Vacuum Tubing, 1-3/4" I.D., Corrugated Sterling	719
045980	HVE Autocl. Premium w/ Q.D P&C	5072
045982	HVE Short Autocl w/ Q.D P&C	5200
045992	HP Muffler & Oil Collector	7321
046015	Adapter S.E. P&C, Dull Finish	20213
046015	Premium Autoclavable Saliva Ejectors 3/16" Quick Disconnect Swivel	5092
046017	3/8" Poly Q.D. w/ Shut-off, Male	0012
047038	Doctor's Stool Cylinder	2953
047039	Assistant's Stool Cylinder	2952
047185	Holder Valve, Auto HP, Normally Open, Side Port	5947
047186	Holder Valve, Auto HP, Normally Open, Rear Port	5989
047425	Solids Collector Disposable Covered Screen, 2 1/8"	5889
047732	Bottle Water Blow Molded .750 ml, w/ Grip, w/o Logo	8637
049855	Mini Regulator, 10-32 Input, Self-Relieving	7205
049871	Holder Auto Electric Molded N.O. Marus, Gray	4570
050468	Counter Top Mounted HVE, Chrome Bezel	5781
050581	Counter Top Mounted HVE, Nickel Bezel	5782
050677	Automatic HP Quad-Block	4425
050678	Pelton & Crane® Water Relay w/ Flow Control	7132
050684	Round Pressure Gauge, Panel Mount, 0-100 PSI	7265
050978	10-32 x 1/8" MPT Pipe Tee	0899
051820	Valve Assy 3000 Unit Head Handle P&C	5959
051886	Rear Ported Valve, 3-Way, Gray	7161
052244	Automatic HP Quin-Block	4427
052771	Block Syringe Assy	3025
052772	Water Relay Combo Valve Repair Kit	7133
053668	Manual Shut-Off Valve, 1/2" FPT Inlet	7100
054294	Standard Autoclavable Vacuum Valves Lever & Spool Assembly	5168
054295	Standard Autoclavable Saliva Ejector Lever & Spool Assembly	5169
056977	Valve Pilot Assy P&C	5979
058306	Valve Pilot N.O. Assy P&C	5928
058451	Air Electric Switch, 10 PSI, Normally Closed	7089
058463	Duck Bill Barb	0168
061223	Toggle Valve Replacement Cartridge, On/Off, 3-Way, Normally Closed, Blue w/ Gray Toggle	7903
061484	Barb 1/16 Double Ended Duckbill	0177
062804	Pelton & Crane® Premium Autoclavable Saliva Ejector, Flush Top, Long Quick Disconnect	5232
062806	Precision Comfort Premium Autoclavable Saliva Ejectors 3/16" Quick Disconnect Swivel w/ O-Ring	5217
062808	Adapter Standard HVE w/o Pin Pelton & Crane®	5180
120208	Valve Cleaning HVE Brush; Pkg of 5	5620
844845	Pelton & Crane® LF II Dimmer Switch Knob	2961
1539241	Pelton & Crane® Door Seal, Delta, Delta XL, Validator, 8"	2102
1539407	Pelton & Crane® Door Seal, Delta, Delta XL, Validator, 10"	2103
1881031	Pelton & Crane® Fill / Vent Water Filter	2111
1897763	1/16" In-line Barb; Pkg of 10	0077
1897763	1/16" In-line Barb	0077-1
1898928	1/8" Uni-Clamp, 2-Piece; Pkg of 10	0089

P&C® PN	DESCRIPTION	DCI PN
1898928	1/8" Uni-Clamp, 2-Piece	0089-1
3003410	Holder, Auto HP, w/ Lockout Toggle, Gray	5960
3303075	O-Ring, Buna-n, .042 x .050 Width, -002; Pkg of 12	2230
3305153	Kit Syringe Autocl w/ Tip P&C	3063
3305161	Syringe Tubing Sleeve, Autoclavable	3036
3306177	Syringe Tip, Autoclavable, Quick-Change, Long; Pkg of 5	3061
3321598	Pelton & Crane® Light Shield, LF II; Pkg of 2	8601
3321820	Pelton & Crane® LFII Dimmer Switch	2960
3321853	Power Switch, 125 Vac 15 Amp	8114
3321879	Pelton & Crane® Light Bulb, 24 VAC 150 Watt	8683
3321887	Pelton & Crane® Light Reflector, LF II	8932
3322281	Pelton & Crane® Door Spacer, Delta, Delta XL, Validator, 8" & 10"	2104
3322646	Pelton & Crane® LF II Dimmer Switch Knob	2961
3324782	Repair Kit, Autoclavable HVE	5145
3324816	Repair Kit, Autoclavable SE	5645
3324915	Regulator 1/8" NPT 4 Port w/ Plugs	12589
3324915	Norgren Regulator Only, Non-Relieving	7220
3336679	Holder Assy, Vacuum, Gray	5970
3336992	Pelton & Crane® Light Socket, LF I, LF II, LF III	8636
4205360	FC Disc Type Wet / Dry / Chip Blow	6316
4700840	Filter Element, 40 Micron	7247
4700840	Filter Element, 40 Micron; Pkg of 6	7248
5472621	SE Premium w/ Swivel Assy	5095
9431388	Solids Collector Disposable Screen Pelton & Crane® Spirit ; Pkg of 144	6821
9432311	Pelton & Crane® Reservoir Filter	2157
9442583	Saliva Ejector Tip Push-on Autoclavable, Gray	5754
002R004	10-32 x 1/16", Barb; Pkg of 100	0187
002R015	Kit 8-32 x 1/16" Barb/Washer; Pkg of 10	0084
002R019	1/8" Barb Tee, Plastic; Pkg of 10	0083
002R019	1/8" Barb Tee, Plastic	0083-1
002R022	10-32 x 1/16" Barb Elbow, Plastic; Pkg of 10	0080
002R022	10-32 x 1/16" Barb Elbow, Plastic	0080-1
003R012	1/8" MPT Adapters x 3/8" Compression Tube	0100
004R002	1/4" Poly Q.D. w/ Shut-off, Male 1/4"	0014
004R006M	1/4" Q.D. Panel Mount x 10/32 w/ Shut-off, Female	0006
005R001	1/4" Clamp Sleeve	0070-1
007R003	O-Ring, Buna-n, .056 I.D. x .060 Width, -003; Pkg of 12	2201
007R006	O-Ring, Buna-n, .114 I.D. x .070 Width, -006; Pkg of 12	2203
007R010	O-Ring, Buna-n, .239 I.D. x .070 Width, -010; Pkg of 12	2214
007R013	O-Ring, Buna-n, .426 I.D. x .070 Width, -013; Pkg of 12	2207
007R016	O-Ring, Buna-n, .614 I.D. x .070 Width, -016; Pkg of 12	2236
007R019	O-Ring, Buna-n, .801 I.D. x .070 Width, -019; Pkg of 12	2238
010R013	10-32 Washer, Plastic; Pkg of 100	0072
010R082-1	Washer for Water Bottle Cap	8136
015R017	Potentiometer	9258
017R020	Caster, Cart, Gray	8010
020R010	Manual Shut-Off Valve, 1/2" FPT Inlet	7100
050678	Pelton & Crane® Water Relay w/ Flow Control	7132
13612	Toggle Cartridge Valve, On/Off, 3-Way, Normally Closed, Gray	7803

P&C® PN	DESCRIPTION	DCI PN
15537BL	Mount Clamp Tray-Anodized / Grained	12778
15538BL	Mount Pin Tray-Anodized / Grained	12781
19035	FC Disc Type Wet / Dry w/ 10' Sterling Gray Tubing	6323
20-5501	1/8" Clamp Sleeve; Pkg of 10	0071
20-5501	1/8" Clamp Sleeve	0071-1
30R360	Non-Slip Pad, 6" x 11.5"	8222
33 03 075	O-Ring, Buna-n, .042 x .050 Width, -002; Pkg of 12	2230
3349D	Syringe Less Tubing & Kit, Continental, Autoclavable	3349
3450D	Syringe, Continental, Quick Clean, Less Tubing & Kit	3450
46R143	Solids Collector Disposable Screen, 2 1/8"; Pkg of 100	5817
55R012	Standard Autoclavable Saliva Ejectors w/ Quick Disconnect	5090
55R027M	Mini Regulator, 10-32 Input, Non-Relieving	7203
55R030M	Rectangular Air Gauge	7270
55R044M	Round Pressure Gauge, 0-160 PSI	7260
55R102M	Check Valve w/Ball, 1/16" Barb	7140
55R197	Flow Control Valve w/ Knob, Gray	7056
55R346	Single Shut Off Valve Assembly & Filter, Air	9187
55R347	Single Shut Off Valve Assembly & Filter, Water	9188
5811D	Vacuum Canister 1/2" Plug HVE Port	5811
60R188	Holder Valve, Auto HP, Normally Closed, Side Port	5948
60R218	Valve Pilot Non-Exhausting	60R218
62R049	Stud Filter Cover	62R049
62R050	Filter Element, 40 Micron	7247
62R053	Filter Cover Nut	62R053
62R054	9 Hole Gasket; Pkg of 10	9004
62R064	Diaphragm, 1"; Pkg of 10	9002
62R071	Water Valve, Housing, Black Body	9094
62R074	Spring, Conical .260 / .350 O.D.; Pkg of 10	9095
62R076	Valve Relay Assy Black 1 Hole N	9130



# DCI Edge Operator Equipment



15

Series 4 Swing Mount Delivery Systems



16

Series 4 OTP Delivery System



21 - 22

Series 4 Cart Systems



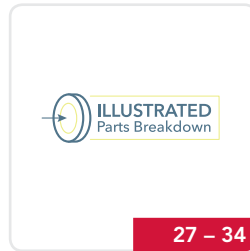
23 - 24

Alternative Delivery Systems



25 - 26

Specialty Units



27 - 34

Dimensions & Illustrated Parts Breakdown



## TECH TIP

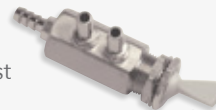
### What is the difference between an automatic and manual unit?

#### Automatic

Simply pick up the desired handpiece and step on the foot control for activation (can have 2-4 positions on most units).

#### Manual

Desired handpiece must be selected by flipping the toggle switch on a routing valve before activation by the foot control (2 positions only).



Toggle Switch

FEATURED NEW ITEM

## Series 4 Delivery Systems

**UPGRADE**  
your delivery system  
**WITHOUT**  
**THE EXPENSE**  
of a new chair!



*(Delivery System shown with  
A-dec® chair & light)*

### Compatible with New & Existing Chairs!

- A-dec® Cascade 1040
- A-dec® Priority 1005
- A-dec® Decade 1021
- Belmont® X-Calibur B-20, B-50
- Belmont® Acutrac B-99, S-99
- DCI Equipment 1235
- Healthco® Celebrity
- Marus® DC1490, DC1690,  
DC1700, DC1702
- Pelton & Crane® 1500, 1800,  
2000, 3000

DCI's NEW Series 4 Delivery System  
offers a Left/Right &  
Post Mount Configuration



*(Delivery System shown with  
Belmont® chair & light)*

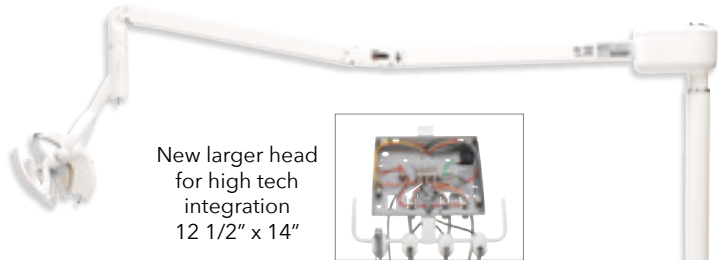




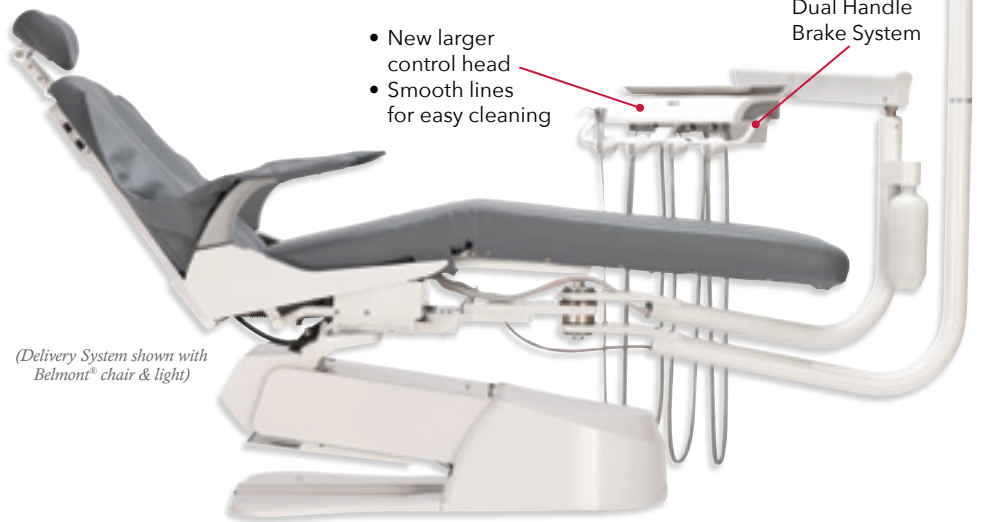
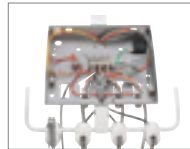
Series 4 Swing Mount Delivery System

**NEW  
LARGER  
DELIVERY  
HEAD!**

Available w/  
optional  
monitor mount



New larger head  
for high tech  
integration  
12 1/2" x 14"



*(Delivery System shown with Belmont® chair & light)*

- New larger control head
- Smooth lines for easy cleaning

Dual Handle  
Brake System

DIMENSIONS  
PAGE 27

**GRAY** | **WHITE**

<b>DS4050</b>	<b>DS4000</b>	Swing Mount Pole w/ Auto Dental Unit & Light Pole .....	<b>\$4,900.00</b>
<b>DS4051</b>	<b>DS4001</b>	Swing Mount Pole w/ Auto Dental Unit .....	<b>\$4,400.00</b>
<b>DS4052</b>	<b>DS4002</b>	Swing Mount Light Pole Only .....	<b>\$1,200.00</b>

ORDER GUIDE ON PAGE 17

FEATURED NEW ITEM

## Series 4 Post Mount Delivery System

**NEW  
LARGER  
DELIVERY  
HEAD!**

**NEW PMU FEATURES:**

- Integrated vacuum trap & water system
- Air & water quick disconnects
- Solid metal construction

System mounts to any standard 2" Post!

*(Delivery System shown with Belmont® chair & light)*

INCLUDES  
Telescoping  
Assistant's  
Package



**SIDE DELIVERY SYSTEM**

Fits into a 32" or larger opening

Includes:  
Utility Center & Stainless Steel J-Box  
Mounting Hardware for cabinet mount  
*Optional wall board available*



DIMENSIONS  
PAGE 27

GRAY	WHITE		
DO4050	DO4000	Over-the-Patient Auto Dental Unit w/ PMU/Asst. Pkg .....	\$4,200.00
DO4051	DO4001	Over-the-Patient Auto Dental Unit .....	\$3,500.00
DO4052	DO4002	Post Mount Utilities (PMU) .....	\$1,800.00
DW4050	DW4000	Side Delivery Auto Dental Unit .....	\$3,200.00

ORDER GUIDE ON PAGE 17

FEATURED NEW ITEM



## Series 4 Delivery System

**CHAIR ADAPTER INCLUDED!**

	Over the Patient Auto Dental Unit with PMU & Assistant's Package	Over the Patient Auto Dental Unit	Auto Dental Unit with Assistant's Package	Swing Mount Unit and Light Pole	Swing Mount Pole with Auto Dental Unit	DCI Swing Mount Light Pole Only	DCI Std. Delivery Auto Dental Unit with Mount
White	D04000	D04001	D04002	DS4000	DS4001	DS4002	DW4000
Gray	D04050	D04051	D04052	DS4050	DS4051	DS4052	DW4050
Retail	\$4,200	\$3,500	\$1,800	\$4,900	\$4,400	\$1,200	\$3,200

<b>CHAIR ADAPTERS (For Traditional Chair Mounted Equipment)</b>								
A-dec® Cascade	<b>8522</b>		•	•	•			
A-dec® Priority	<b>8515</b>		•	•	•			
Belmont Bel 20/Healthco Celebrity	<b>8493</b>		•	•	•			
Belmont AcuTrac	<b>8917</b>		•	•	•			
Pelton Spirit/Schein Empire	<b>8918</b>		•	•	•			
Marus Pro/DCI Equipment	<b>8561</b>		•	•	•			
<b>CHAIR ADAPTERS (For Swing Mount Equipment)</b>								
Pelton 1500, 1800, 2000, 3000, A-dec® Cascade 1040	<b>4489</b>					•	•	•
Marus DC1490, DC1690, DC1700, DC1702, DCI Equipment 1235	<b>4491</b>					•	•	•
Belmont X-Calibur B-20, B-50, Healthco Celebrity	<b>4492</b>					•	•	•
AcuTrac B-99, S-99	<b>4501</b>					•	•	•
A-dec® Cascade 1040	<b>4489</b>					•	•	•
A-dec® Priority Chair Adapter 1005	<b>4498</b>					•	•	•
A-dec® Decade Chair Adapter 1021	<b>9246</b>					•	•	•
<b>STANDARD FEATURES</b>								
Larger control head to accommodate accessories (Scaler, light source, etc.)			•	•		•	•	•
50" Flex arm			•	•		•	•	
3 Handpiece automatic delivery			•	•		•	•	•
Precision Comfort Air/Water syringe			•	•		•	•	•
Wet/Dry foot control			•	•		•	•	•
Oil collector for handpieces			•	•		•	•	•
Stainless steel tray			•	•		•	•	•
Self contained water system			•	•	•	•	•	•
Mounts on 2" post (included)			•	•	•			
6' Umbilical with junction box and utilities			•	•	•	•		•
Air/Water quick disconnects			•		•			
Assistant's telescoping vacuum package (Syringe, HVE, SE) with canister			•		•			
<b>OPTIONS</b>								
Add handpiece position	<b>4467</b>	\$170	•	•		•	•	•
Delete handpiece position	<b>4344</b>	-\$54.40	•	•		•	•	•
Delete syringe, tubing and holder	<b>4345</b>	-\$105.80	•	•		•	•	•
Sub chassis for electric motor handpiece control	<b>4230</b>	\$60	•	•		•	•	•
ISO 5 hole light source system w/bulb, transformer and straight gray tubing	<b>8744</b>	\$710	•	•		•	•	•
ISO 6 pin light source system w/transformer and straight gray tubing	<b>8749</b>	\$640	•	•		•	•	•
Add chip air or scaler button on foot control	<b>4346</b>	\$60	•	•		•	•	•
Delete Chair Adapter	<b>4350</b>	-\$250	•	•	•	•	•	•
Delete utility center and junction box	<b>4347</b>	-\$310	•	•	•	•	•	•
Delete assistant's telescoping vacuum package	<b>4348</b>	-\$450	•		•			

## Automatic Series 4 Arm Mounted Delivery System



*Shown w/ optional top post mount adapter 8923*

*Thru Post Mount  
4477 & 4478  
(standard configuration)*

**MANUAL UNIT** AVAILABLE UPON REQUEST

DIMENSIONS  
PAGE 29

PAGE **31** ILLUSTRATED  
Parts Breakdown

**GRAY | WHITE**

<b>4477</b>	<b>4478</b>	Arm Mounted Automatic Control for 3 HP.....	<b>\$1,955.00</b>
<b>8956</b>	<b>8923</b>	Top Post Mount Adapter.....	<b>\$154.50</b>
	<b>8035</b>	Touch-Up Paint.....	<b>\$40.00</b>

- Smooth lines for easy cleaning
- Automatic control for 3 handpieces
- Flex arm system mounts on 2" post
- Individual drive air & water coolant controls
- Stainless steel tray (PN 8013) & holder (PN 4280)
- Includes 8 Conductor Low Voltage Electrical Cable
- Precision Comfort™ Syringe
- Wet/Dry foot control
- Optional storage area for high-tech accessories
- Available in left or right hand configuration
- 7 ft. of 5/8" Umbilical
- Specify tubing color & type

## Series 4 Cabinet or Wall Mounted Automatic Delivery System



**COMPACT HEAD**  
11 3/4" W x 11" D

4470



4278  
*Wall mount  
adapter included*

PAGE 31 **ILLUSTRATED**  
Parts Breakdown

**DIMENSIONS**  
PAGE 19

PN 4470	Automatic Control for 3 HP.....	<b>\$935.00</b>
PN 8035	Touch-Up Paint (White).....	<b>\$40.00</b>

- Smooth lines for easy cleaning
- Individual drive air & water coolant controls
- Precision Comfort™ Syringe
- Optional storage area for high-tech accessories
- Wet/Dry foot control
- 6 ft. of 5/8" Umbilical
- Specify tubing color & type

**MANUAL UNIT AVAILABLE UPON REQUEST**

## Series 4 Delivery Systems

	Arm Mounted	Cabinet Mounted
White	4478	4470
Gray	4477	
Price	\$1,955	\$935

STANDARD FEATURES			
Automatic Controls for 3 Handpieces (expandable to 4)			•
Compact Size Delivery Head			•
Wet/Dry Foot Control			•
Precision Comfort® Syringe			•
Individual Non Retracting Water Coolant			•
Handpiece Purge Valve			•
50" Flex Arm for 2" Post w/ Air Brake			•
Cabinet Mount			•
Stainless Steel Tray			•
Oil Collector for Handpiece Exhaust			•
OPTIONS	PN	PRICE	
White Wall Mount Bracket	8647	\$160.00	•
Gray Wall Mount Bracket	8349	\$160.00	•
40" Chair Mount Post w/ P&C Bushing	8444	\$300.00	•
White Top Post Mount Adapter	8923	\$154.50	•
Gray Top Post Mount Adapter	8956	\$154.50	•
CHAIR ADAPTERS	*Refer to Mounts, Arms & Holders Section for complete listing*		
Belmont Bel 20	8493	\$309.00	•
A-dec® Priority	8515	\$309.00	•
Pelton & Crane® 1500/Marus Empire	8918	\$309.00	•
LIGHT SOURCE SYSTEMS	*Refer to Handpiece Accessories Tab for complete listing*		
ISO 5 hole light source system w/ bulb, transformer & 1 straight gray tubing	8744	\$710.00	•
ISO-C 6 pin light source system w/ transformer & 1 straight gray tubing	8749	\$640.00	•
CONTROL OPTIONS			
Add Handpiece Position	4467	\$170.00	•
Delete Handpiece Position	4344	-\$54.40	•
Delete Syringe, Tubing & Holder	4345	-\$105.80	•
Add Chip Air or Scaler Button on Foot Control	4346	\$65.00	•
Sub Chassis for Electric Motor Handpiece Control - (Internal Size 6" x 1 3/4" x 2 1/2")	4230	\$60.00	•
ACCESSORIES	*Refer to DCI Catalog for complete regulator & water system options*		
Utility Center w/ White Box & Regulators	8329	\$438.00	•
2-Liter Asepsis Deluxe Water System-Cabinet Mount	8184	\$255.00	•
2-Liter Asepsis Deluxe Water System w/ 2" Post Clamp	8928	\$318.00	•



### TECH TIP

## TROUBLE SHOOTING A UNIT?

Find videos for diagnosing slow handpieces, combo valve & shut off block repair, needle valve & cartridge valve adjustment at the DCI Video Library!



Series 4 Cart Systems



PAGE  
31



ILLUSTRATED  
Parts Breakdown

DIMENSIONS  
PAGE 30

PN 4511	Automatic Controls for 3 HP.....	\$2,530.00
PN 4540	Automatic Controls for 3 HP w/ Premium Vacuum.....	\$2,830.00
PN 4245	Manual Control for 2 HP.....	\$1,820.00
PN 4240	Manual Control for 2 HP w/ Premium Vacuum.....	\$2,120.00
PN 8035	Touch-Up Paint (White).....	\$40.00

- Sturdy all-metal control head w/ smooth lines for easy cleaning
- Automatic control for 3 handpieces or manual control for 2 handpieces
- Individual drive air & water coolant controls
- SS tray & holder
- Precision Comfort™ Syringe
- Wet/Dry foot control (Auto units only)
- Deluxe clean water system
- 1/4" Water Q.D. w/ flow control
- 7 ft. of 1 1/4" Umbilical
- Utility center w/ white box
- Specify tubing color & type



4221  
Shown w/  
optional storage  
organizer

Operatory Support Cart

PN 4227	Operatory Support Cart w/ U-Frame.....	\$970.00
PN 8400	Storage Well w/ Organizer.....	\$270.00
PN 4220	Operatory Support Cart w/ Assistant's Package, U-Frame.....	\$1,530.00
PN 4228	Operatory Support Cart w/ H-Frame.....	\$970.00
PN 4221	Operatory Support Cart w/ Assistant's Package, H-Frame.....	\$1,530.00

- Solid 1" white laminate top w/ gray edge banding
- 19" x 22" work surface

## Series 4 Cart Systems

	Automatic Carts		Manual Carts	
	4511	4540	4240	4245
	<b>\$2,530</b>	<b>\$2,830</b>	<b>\$2,120</b>	<b>\$1,820</b>
<b>STANDARD FEATURES</b>				
Automatic Controls for 3 Handpieces (expandable to 4)	•	•		
Manual Control for 2 Handpieces (1 wet & 1 dry)			•	•
Wet/Dry Foot Control	•	•		
Economy Foot Control			•	•
Precision Comfort® Syringe	•	•	•	•
Individual Non Retracting Water Coolant	•	•	•	•
Handpiece Purge Valve	•	•		
U-Frame	•	•	•	•
Stainless Steel Tray	•	•	•	•
Oil Collector for Handpiece Exhaust	•	•		
Deluxe Clean Water System	•	•	•	•
Utility Center w/ White Box & Regulators	•	•	•	•
1/4" Water Quick Disconnect	•	•	•	•
Precision Comfort® Premium HVE & SE Vacuum Package		•	•	
<b>LIGHT SOURCE SYSTEMS *Refer to Handpiece Accessories Tab for complete listing*</b>				
ISO 5 hole light source system w/ bulb, transformer & 1 straight gray tubing	<b>8744</b>	<b>\$710.00</b>	•	•
ISO-C 6 pin light source system w/ transformer & 1 straight gray tubing	<b>8749</b>	<b>\$640.00</b>	•	•
<b>CONTROL OPTIONS</b>				
Add Handpiece Position	<b>4467</b>	<b>\$170.00</b>	•	•
Delete Handpiece Position	<b>4344</b>	<b>-\$54.40</b>	•	•
Delete Syringe, Tubing & Holder	<b>4345</b>	<b>-\$105.80</b>	•	•
Add Chip Air or Scaler Button on Foot Control	<b>4346</b>	<b>\$65.00</b>	•	•
Delete Utility Center & Box	<b>4347</b>	<b>-\$310.00</b>	•	•
Delete Clean Water System	<b>4349</b>	<b>-\$90.00</b>	•	•



### Download the DCI Catalog App

Looking for a digital version of the DCI Catalog? Visit the iTunes or Android app store and download it today. View the catalog on your mobile device, iPad or laptop!





ORDER GUIDE ON PAGE 26

## Alternative Arm-Mounted Delivery System



PN 4376	Arm-Mounted Automatic Control for 3 Handpieces.....	<b>\$1,795.00</b>
PN 4128	Arm-Mounted Manual Control 4120 for 1 Wet & 1 Dry Handpiece.....	<b>\$1,535.00</b>
PN 4129	Arm-Mounted Manual Control 4121 for 2 Wet Handpieces.....	<b>\$1,615.00</b>
PN 8923	Top Post Mount Adapter (White).....	<b>\$154.50</b>
PN 8035	Touch-Up Paint (White).....	<b>\$40.00</b>

- Automatic control for 3 handpieces or manual control for 2 handpieces
- Flex arm system mounts on 2" post
- Individual drive air & water coolant controls
- Instrument tray holder
- Precision Comfort® Syringe
- Wet/Dry foot control (4376 only)
- Dimensions: Horizontal reach 62 3/4" Fully closed: 30 3/4"L x 21 1/4" W
- 7 ft. of 5/8" Umbilical
- Specify tubing color & type

PAGE 32 ILLUSTRATED Parts Breakdown

## Alternative Cabinet or Wall Mounted Automatic Delivery System



PN 4370	Alternative Automatic Control for 3 Handpieces.....	<b>\$775.00</b>
---------	---	-----------------

- Individual drive air & water coolant controls
- Multiple mounting options (refer to pages 87-89)
- Precision Comfort® Syringe
- Wet/Dry foot control
- Dimensions: 12" x 8" x 5"
- 6 ft. of 1/2" Umbilical
- Specify tubing color & type

PAGE 32 ILLUSTRATED Parts Breakdown

## Alternative Cabinet or Wall Mounted Manual Delivery System



PN 4120	Manual Control for 1 Wet & 1 Dry Handpiece.....	<b>\$525.00</b>
PN 4121	Manual Control for 2 Wet Handpieces.....	<b>\$570.00</b>

- Manual control for 2 handpieces
- Precision Comfort® Syringe
- Disc type foot control
- Multiple mounting options (refer to pages 87-89)
- Dimensions: 10" x 3" x 4"
- 6 ft. of 1/2" Umbilical
- Specify tubing color & type

## Panel & Horizontal Surface Mount Automatic Unit for 3 Handpieces

PAGE 34 ILLUSTRATED Parts Breakdown

PN 4415	Panel-Mount Automatic Control.....	\$845.00
PN 4416	Horizontal-Mount Automatic Control.....	\$1,010.00
PN 4445	Optional Swing Arm Holder Bar.....	\$140.00



- Individual drive air & water coolant controls
- Precision Comfort® Syringe
- Wet/Dry foot control
- Control dimensions: 8 1/2" x 1 3/4" x 5"
- Cut-out dimensions: 7 1/2" x 1 1/2"
- Horizontal system can be mounted to top or bottom of surface
- Specify tubing color & type



## Panel & Horizontal Surface Mount Manual Unit for 2 Handpieces

PAGE 34 ILLUSTRATED Parts Breakdown

PN 4400	Panel-Mount Manual Control for 1 Wet & 1 Dry Handpiece.....	\$545.00
PN 4401	Horizontal-Mount Manual Control for 1 Wet & 1 Dry Handpiece.....	\$610.00
PN 4445	Optional Swing Arm Holder Bar.....	\$140.00



- Individual drive air & water coolant controls
- Precision Comfort® Syringe
- Wet/Dry foot control
- Control dimensions: 8 1/2" x 1 3/4" x 5"
- Cut-out dimensions: 7 1/2" x 1 1/2"
- Horizontal system can be mounted to top or bottom of surface
- Specify tubing color & type





## DCI III Manual Unit

PN 4502 DCI III Manual Unit.....**\$490.00**

- Two HP manual selection for 1 Wet & 1 Dry Handpiece
- Precision Comfort® Syringe
- 6 ft. 1/2" Umbilical
- Specify tubing color & type



## DCI II Manual Unit

PN 4102 DCI II Manual Unit.....**\$440.00**

- Two HP manual selection for 1 Wet & 1 Dry Handpiece
- Precision Comfort® Syringe
- Dimensions: 6" x 4 1/4" x 2 1/4"
- 6 ft. 1/2" Umbilical
- Specify tubing color & type



## Air & Water Auxiliary Q.D. Panel

PN 6559 Gray Auxiliary Panel.....**\$180.30**

PN 6569 White Auxiliary Panel.....**\$180.30**

- 1/4" Water quick connect w/ flow control
- Dimensions: 3" x 4"
- 3/8" Air quick connect w/ on/off switch
- Available in white or gray



## Pelton & Crane Executive Conversion Kit

PN 4446 Executive Conversion Kit.....**\$2,730.00**

- Precision Comfort™ Premium Autoclavable Vacuum Valves include two 5512 HVEs & one 5222 SE
- Includes 8323 utility center
- Automatic handpiece holders w/ manual lockout toggle
- Variable speed disc-type foot control w/ wet/dry toggle
- Precision Comfort® three-way syringe
- Dimensions: 12 1/2" x 18" x 4 1/2"
- 6 ft. Umbilical

FEATURED



## Laboratory Handpiece Control Kit

PN 4198 Laboratory Handpiece Control Kit.....**\$168.00**

- Requires air only
- 4-hole handpiece tubing 432T
- Handpiece holder & bar 5910 & 5929
- Economy foot control 6301
- Air regulator w/ gauge 7220 & 7260

## DCI Alternative Controls

	Arm Mounted			Cabinet Mounted			Specialty Units		
	4376	4128	4129	4370	4120	4121	4502	4102	4446
	\$1,795	\$1,535	\$1,615	\$775	\$550	\$590	\$490	\$440	\$2,730
<b>STANDARD FEATURES</b>									
Automatic Controls for 3 Handpieces	•			•					•
Manual Control for 2 Handpieces (1 wet & 1 dry)		•			•		•	•	
Manual Control for 2 Handpieces (2 wet)			•			•			
Wet/Dry Foot Control	•			•					•
Economy Foot Control		•	•		•	•	•	•	
Precision Comfort® Syringe	•	•	•	•	•	•	•	•	•
Individual Non Retracting Water Coolant	•	•	•	•	•	•	•	•	•
50" Flex Arm for 2" Post w/ Air Brake	•	•	•						
Cabinet Mount				•	•	•	•	•	•
<b>OPTIONS</b>									
	PN	PRICE							
Wall Mount Bracket	<b>8647</b>	<b>\$160.00</b>	•	•	•				
40" Chair Mount Post w/ P&C Bushing	<b>8444</b>	<b>\$300.00</b>	•	•	•				
White Top Post Mount Adapter	<b>8923</b>	<b>\$154.50</b>	•	•	•				
<b>CHAIR ADAPTERS</b> *Refer to Mounts, Arms & Holders section for complete listing*									
Belmont Bel 20	<b>8493</b>	<b>\$309.00</b>	•	•	•				
A-dec® Priority	<b>8515</b>	<b>\$309.00</b>	•	•	•				
Pelton & Crane® 1500/Marus Empire	<b>8918</b>	<b>\$309.00</b>	•	•	•				
<b>LIGHT SOURCE SYSTEMS</b> *Refer to Handpiece Accessories Tab for complete listing*									
ISO 5-Hole Economy HP Illumination System	<b>8801</b>	<b>\$300.00</b>	•	•	•	•	•	•	•
ISO 6-Pin Economy HP Illumination System	<b>8791</b>	<b>\$240.00</b>	•	•	•	•	•	•	•
<b>CONTROL OPTIONS</b>									
Delete Handpiece Position	<b>4344</b>	<b>-\$54.40</b>	•			•			•
Delete Syringe, Tubing & Holder	<b>4345</b>	<b>-\$105.80</b>	•	•	•	•	•	•	•
Add Chip Air or Scaler Button on Foot Control	<b>4346</b>	<b>\$65.00</b>	•			•			•
<b>ACCESSORIES</b> *Refer to DCI Catalog for complete regulator & water system options*									
Utility Center w/ Gray Box & Regulators	<b>8321</b>	<b>\$400.00</b>	•	•	•	•	•	•	
2-Liter Standard Water System Cabinet Mount	<b>8144</b>	<b>\$160.00</b>	•	•	•	•	•	•	•
2-Liter Deluxe Water System Cabinet Mount	<b>8143</b>	<b>\$190.00</b>	•	•	•	•	•	•	•
750ml Standard Water System Cabinet Mount	<b>8145</b>	<b>\$156.00</b>	•	•	•	•	•	•	•
750ml Deluxe Water System Cabinet Mount	<b>8139</b>	<b>\$185.00</b>	•	•	•	•	•	•	•
Adapter for 2" Post, White Powder Coat	<b>8162</b>	<b>\$64.00</b>	•	•	•				



### TECH TIP

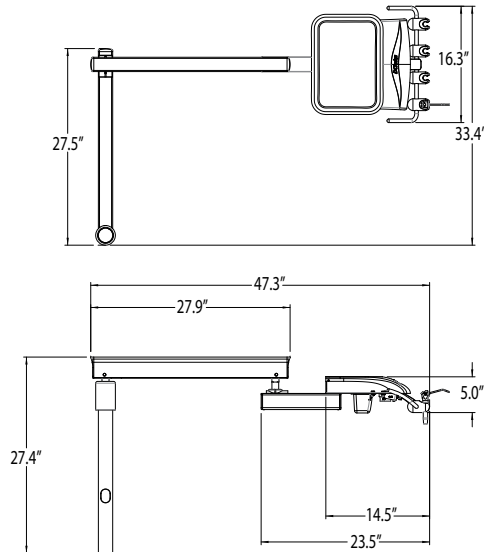
## TROUBLE SHOOTING A UNIT?

Find videos for diagnosing slow handpieces, combo valve & shut off block repair, needle valve & cartridge valve adjustment at the DCI Video Library!

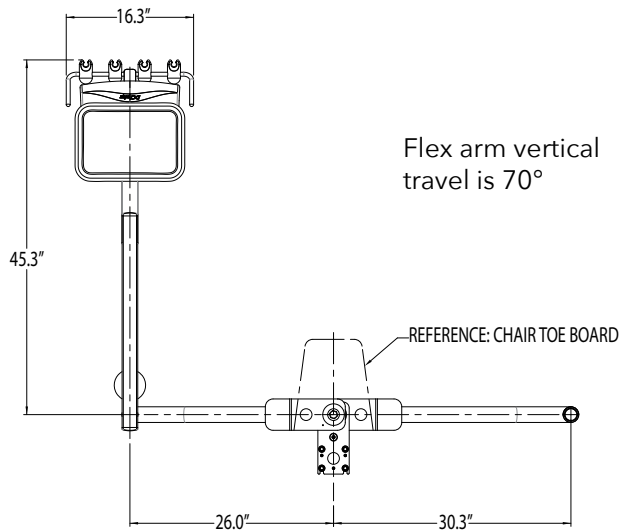


Easy Online Ordering

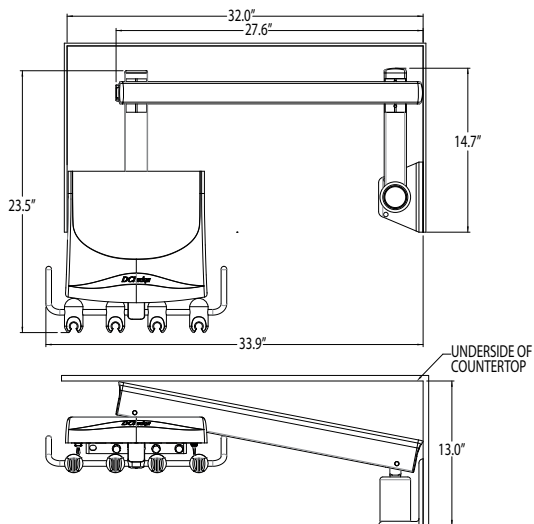
Series 4 Over the Patient Automatic Delivery System



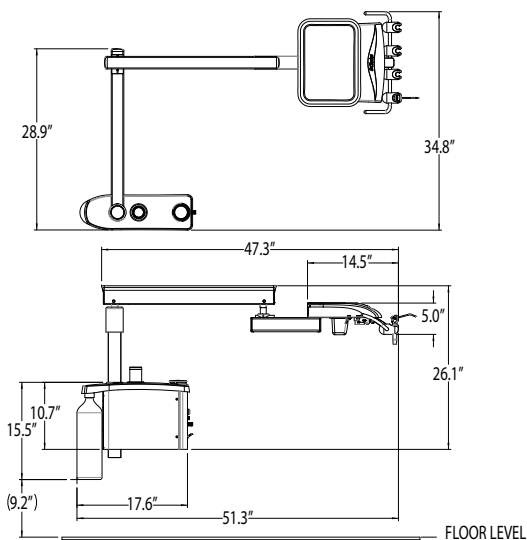
Series 4 Swing Mount Pole  
w/ Automatic Delivery System & Light Pole



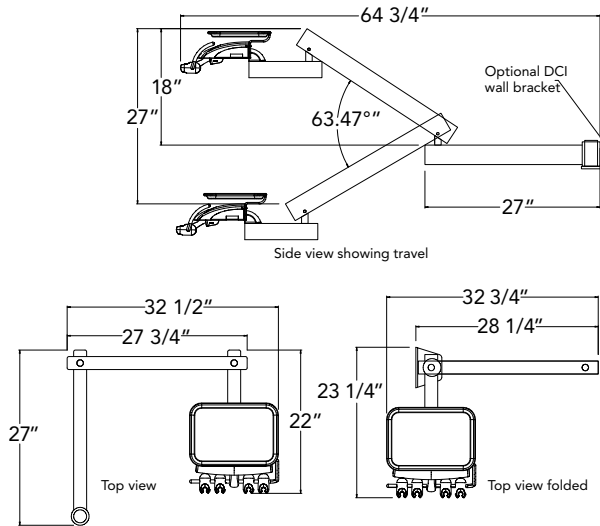
### Series 4 Side Delivery Automatic Delivery System w/ Mount



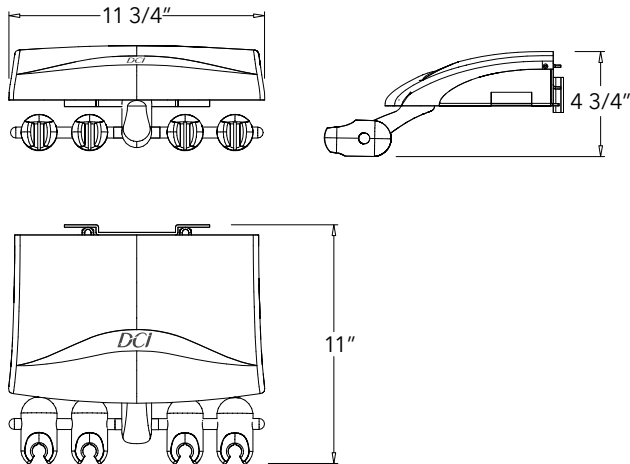
### Series 4 Over the Patient Automatic Delivery System w/ PMU & Assistant's Package



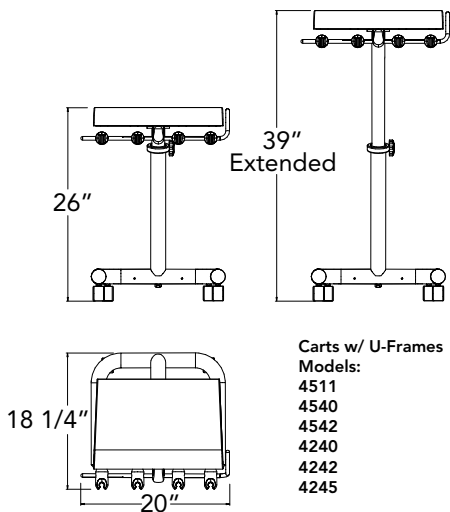
Series 4 Arm Mounted Automatic Control 4477 & 4478



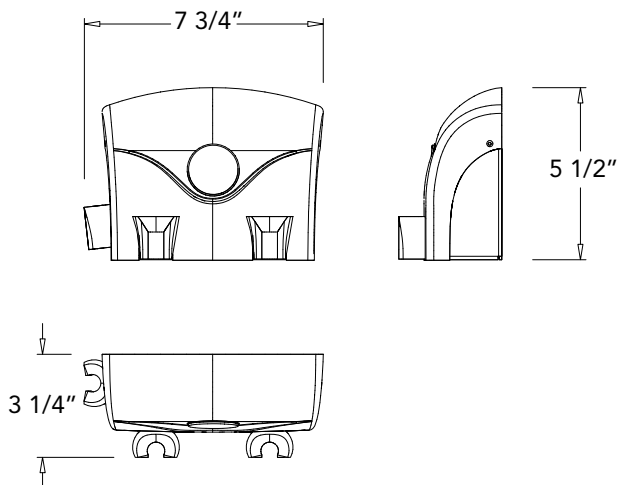
Series 4 Automatic Control 4470



### Series 4 Automatic Cart

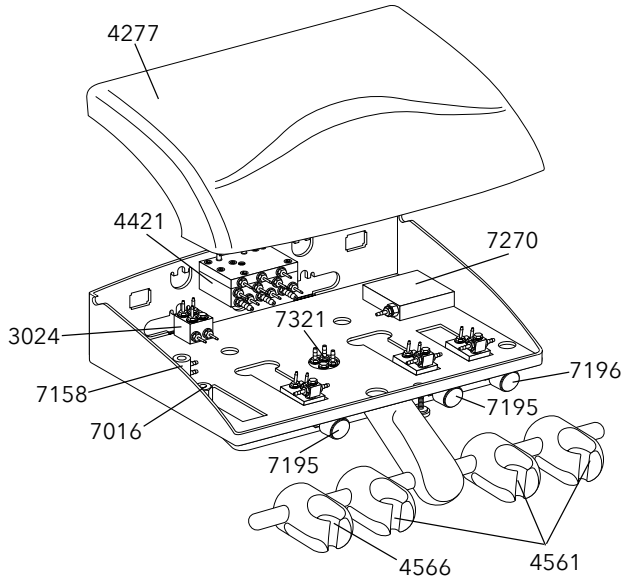


### DCI III Manual Unit 4502

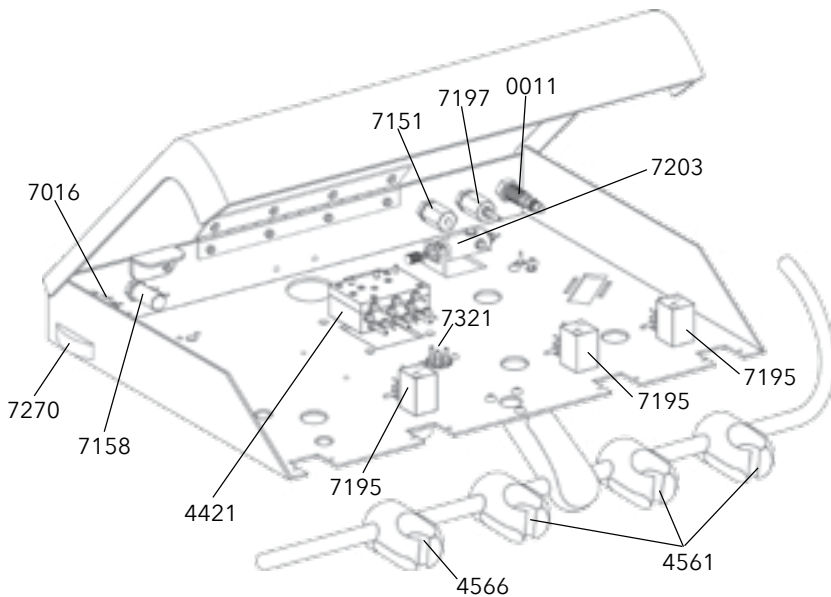




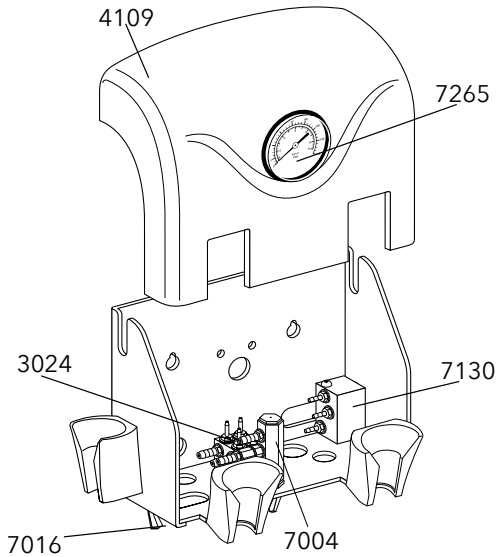
Series 4 Automatic Control



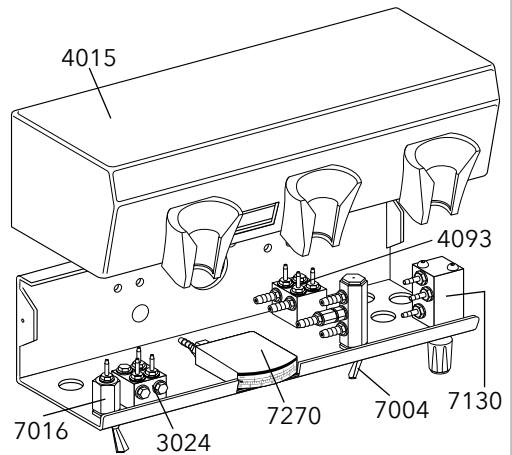
Series 4 Automatic Cart Unit 4511, 4540 & 4542



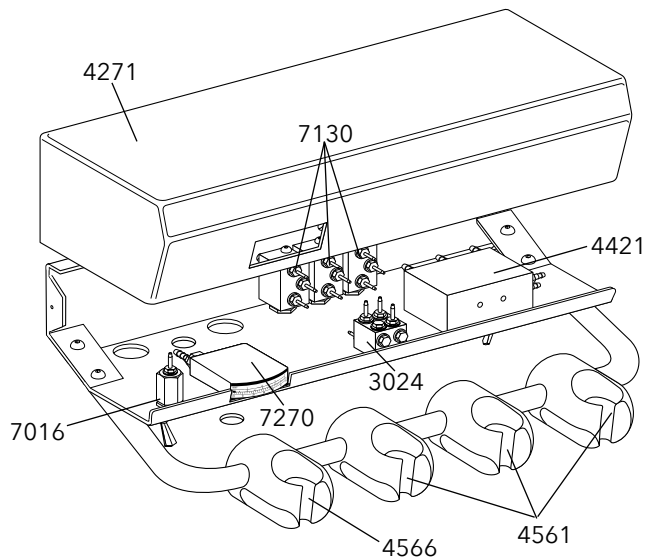
## DCI III Manual Unit 4502



## Alternative Manual Control 4120 & 4121

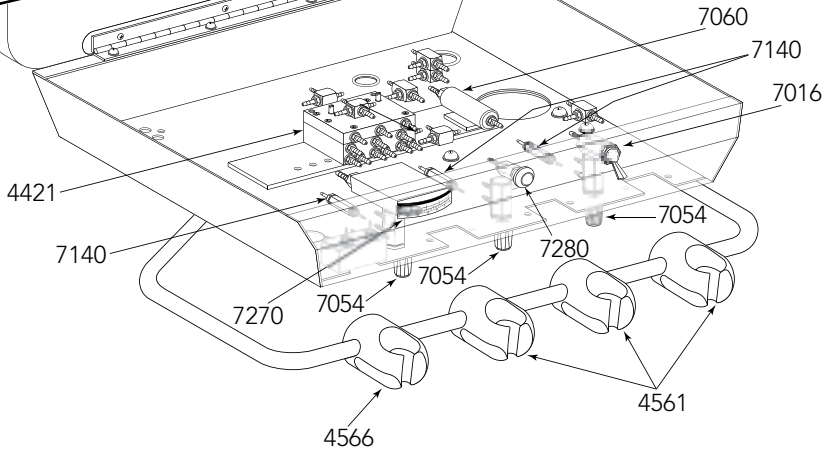


## Alternative Automatic Control 4370



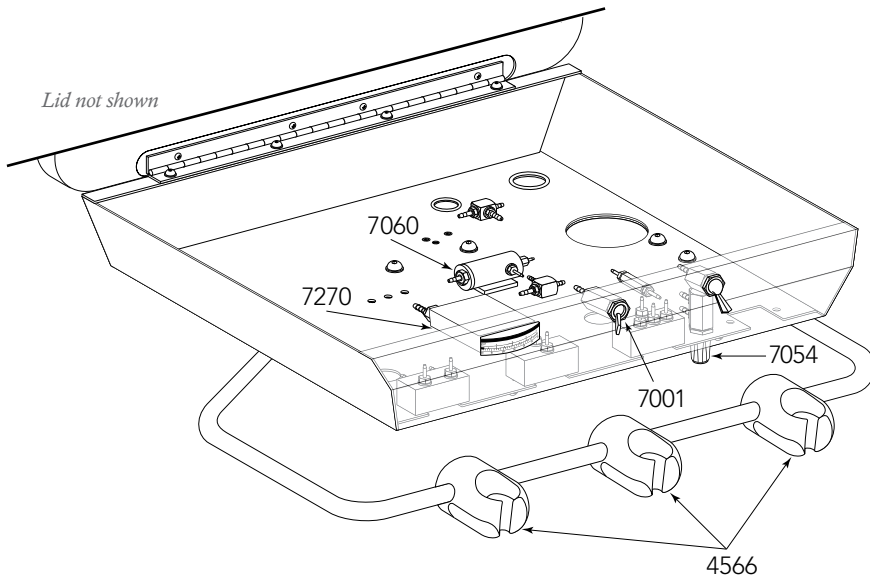
## Alternative Automatic Cart 4411, 4440 & 4442

*Lid not shown*

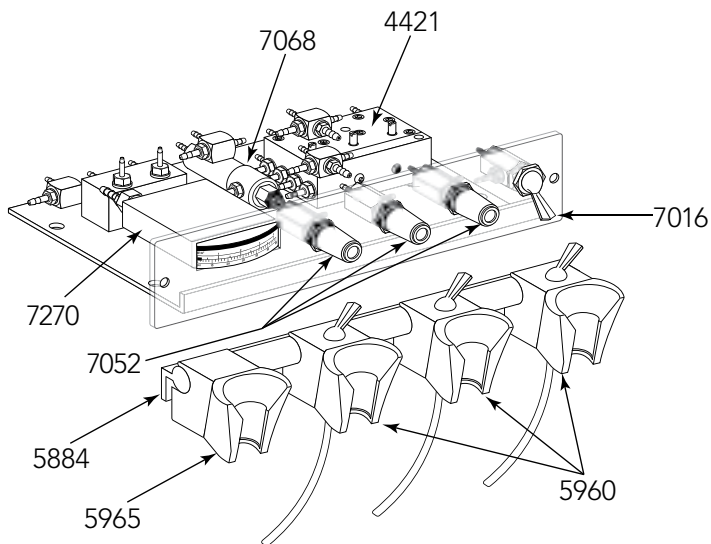


## Alternative Manual Cart 4145, 4140 & 4142

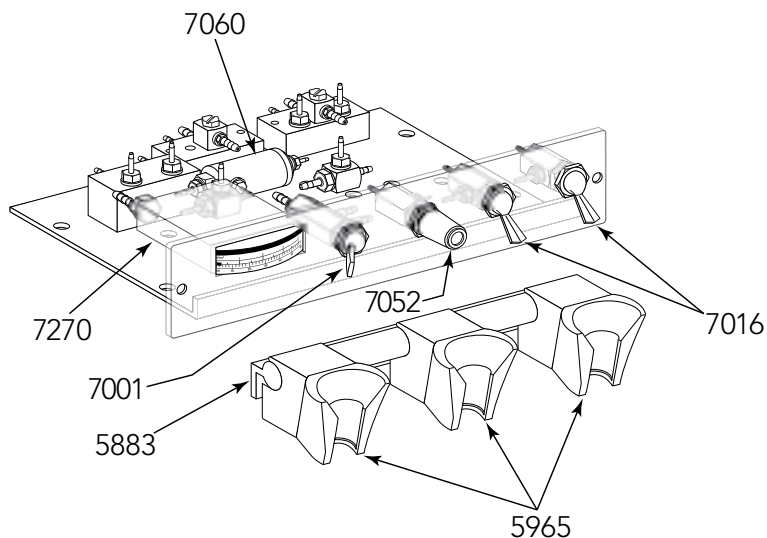
*Lid not shown*



### Panel & Horizontal Surface Mount Control 4415 & 4416



### Panel & Horizontal Surface Mount Control 4400 & 4401



# Operator Accessories



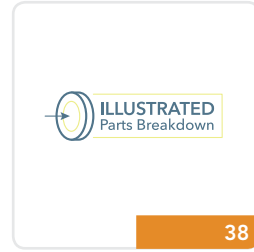
36

Water Systems



37

Water System Accessories



38

Illustrated Parts Breakdown



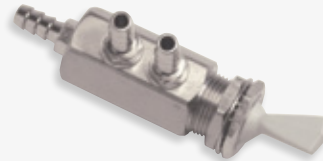
## TECH TIP

Is your water bottle filling up with water?

Water leaking out of the on/off toggle?

Air in the water?

One of the more common failures of water bottle systems is the routing valve. Routing toggles are used in multiple places on the water bottle system; the purge, bottle selector and city/bottle selector. A failure of the purge can cause an air/water crossover condition while a failure of the city/bottle switch can cause a bottle to fill up, resulting in water getting into the on/off toggle and leaking out. Replace routing valve with PN 7001.





## Economy Self-Contained Water Systems

PN <b>8144</b>	2-Liter Standard System.....	<b>\$160.00</b>
PN <b>8143</b>	2-Liter Deluxe System.....	<b>\$190.00</b>
PN <b>8145</b>	750-ml Standard System (includes extra bottle).....	<b>\$155.00</b>
PN <b>8139</b>	750-ml Deluxe System (includes extra bottle).....	<b>\$185.00</b>
PN <b>8137</b>	Adapter to Mount Water System to 2" Post Anodized Aluminum.....	<b>\$64.00</b>
PN <b>8162</b>	Adapter to Mount Water System to 2" Post White Powder Coat.....	<b>\$64.00</b>
PN <b>8255</b>	Adapter to Mount Water System to 2 3/8" Post White Powder Coat.....	<b>\$70.00</b>

- Deluxe models have a selector toggle allowing you to switch between city & bottled water
- 750 ml & 2 liter heavy duty bottles
- Standard 28 mm thread for water bottle
- Gauge 7260 shows bottle pressure
- Bracket mounts to any flat vertical surface
- Optional post-mount available
- On/off toggle releases bottle pressure
- Dimensions for 8144 & 8143: 3" x 5" x 16"
- Dimensions for 8145 & 8139: 3" x 5" x 12"



## Asepsis Self-Contained Water Systems

PN <b>8177</b>	Dual 750-ml Asepsis Standard System.....	<b>\$284.00</b>
PN <b>8178</b>	Dual 750-ml Asepsis Deluxe System.....	<b>\$320.00</b>
PN <b>8179</b>	Dual 2-liter Asepsis Standard System.....	<b>\$294.00</b>
PN <b>8180</b>	Dual 2-liter Asepsis Deluxe System.....	<b>\$330.00</b>
PN <b>8181</b>	Single 750-ml Asepsis Standard System (includes extra bottle).....	<b>\$214.00</b>
PN <b>8182</b>	Single 750-ml Asepsis Deluxe System (includes extra bottle).....	<b>\$250.00</b>
PN <b>8183</b>	Single 2-liter Asepsis Standard System.....	<b>\$219.00</b>
PN <b>8184</b>	Single 2-liter Asepsis Deluxe System.....	<b>\$255.00</b>
PN <b>8137</b>	Adapter to Mount Water System to 2" Post Anodized Aluminum.....	<b>\$64.00</b>
PN <b>8162</b>	Adapter to Mount Water System to 2" Post White Powder Coat.....	<b>\$64.00</b>
PN <b>8255</b>	Adapter to Mount Water System to 2 3/8" Post White Powder Coat.....	<b>\$70.00</b>

- Deluxe models have a selector toggle allowing you to switch between city & bottled water
- Models for 750-ml & 2-liter bottles
- Standard 28 mm thread for water bottle
- Pressure gauge 7265
- Mounts to vertical surfaces
- Optional post-mount available
- On/off toggle releases bottle pressure
- Air purge toggle
- Metal cover w/ white powder coat finish
- Dimensions for 8177 & 8178: 8 1/4" x 4 1/2" x 13"
- Dimensions for 8179 & 8180: 8 1/4" x 4 1/2" x 17"
- Dimensions for 8181 & 8182: 5" x 4 1/2" x 13"
- Dimensions for 8183 & 8184: 5" x 4 1/2" x 17"



## DCI Quick-Switch Water Bottle System



PN <b>8941</b>	Kit (contains converter & adapter).....	<b>\$70.00</b>
PN <b>8942</b>	Converter, Manifold QS w/ O-Ring.....	<b>\$46.00</b>
PN <b>8943</b>	Adapter, Bottle QS w/ Washer.....	<b>\$32.00</b>
PN <b>8944</b>	Adapter, Bottle QS (pkg of 5).....	<b>\$125.00</b>
PN <b>2297</b>	O-Ring for Converter Manifold (pkg of 12).....	<b>\$2.90</b>
PN <b>8946</b>	Integrated Quick-Switch Manifold .....	<b>\$22.70</b>

- Easy installation requires no tools
- Saves time in changing bottles
- Self-locking feature ensures proper positioning when pressurized
- Automatic pressure release when removing bottle
- Patented design exclusive to DCI

## Heavy-Duty Bottles for Dental Unit Water Systems

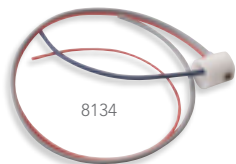
PN <b>8128</b>	750 ml Plastic Bottle w/ Cap & Pick-Up Tube.....	<b>\$7.00</b>
PN <b>8669</b>	1-Liter Plastic Bottle w/ Cap & Pick-Up Tube.....	<b>\$7.40</b>
PN <b>8164</b>	2-Liter Plastic Bottle w/ Cap & Pick-Up Tube.....	<b>\$12.00</b>



### Standard Bottles

- Heavy wall construction, safely operated at normal water system pressure
- High Density Polyethylene (HDPE) is compatible w/ coolant liquids used in dentistry
- Can be used on most dental systems (w/ the Universal Manifold 8134 or 8119)
- Bottle dimensions:
  - (750-ml, 3" W x 9 1/2" H),
  - (1-liter, 3 1/2"W x 11" H),
  - (2-liter, 4" W x 13 7/8" H)
- Standard 28 mm threads
- Washer now included!

## Water System Component Parts



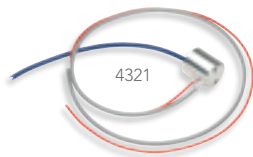
8134

PN **0165** Barb, 1/16" for Water System Manifold..... **\$ .80**

PN **0166** Barb, 1/8" for Water System Manifold..... **\$ .80**

PN **8134** Universal Manifold w/ Barbs (fits most dental water systems)..... **\$30.00**

PN **4321** Universal Manifold, Aluminum..... **\$46.00**



4321

PN **8136** Manifold Washer..... **\$3.00**

PN **8146** Includes DCI 750-ml Bottle 8128 & Universal Manifold w/ Barbs 8119..... **\$36.00**

PN **8147** Includes DCI 2-Liter Bottle 8164 & Universal Manifold w/ Barbs 8119..... **\$38.20**

PN **8119** Universal Manifold, Long Self Centering Neck, w/ Barbs..... **\$25.50**

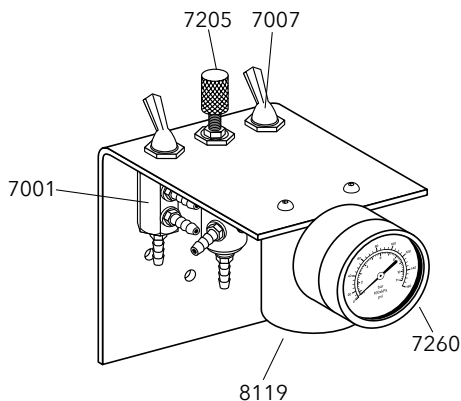


8136

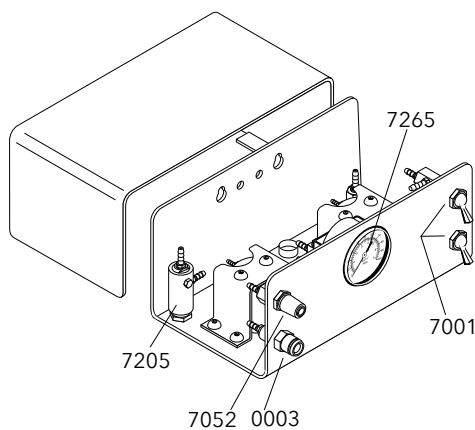
PN **8037** Pick-up Tube for 750 ml Bottle..... **\$2.50**

PN **8038** Pick-up Tube for 2 L Bottle..... **\$3.10**

## Economy Self-Contained Water System 8143



## Asepsis Self-Contained Water System 8178





# Handpiece Accessories & Fiber Optics



40 – 42

Handpiece  
Light Source Systems



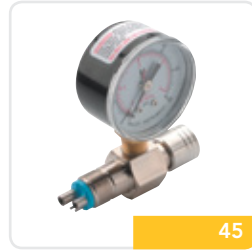
43

Handpiece Bulbs



44

Handpiece Turbines,  
Connectors & Gaskets



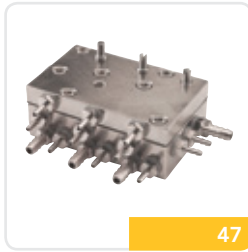
45

Handpiece Tools  
& O-Rings



46

Handpiece  
Flush System



47

Handpiece Blocks  
& Accessories



48

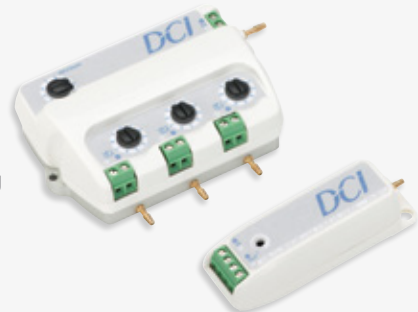
Handpiece Tubing



## TECH TIP

### Not getting any output voltage on the new DCI power pack?

- 1** **Confirm** that the transformer and tubing wires are securely installed, then verify voltage from transformer.
- 2** **Test** with the handpiece on the tubing to ensure adequate back pressure. Activation pressure is 15-20 PSI.



## Discover DCI's New Power Optic System

Any power, any light, any time!



Connects to a wide range of existing power supplies



Extended bulb life



Instant-on setting for LED Bulbs



8311

### Deluxe 3 Handpiece Light Source System

PN <b>8353</b>	Deluxe Power Pack 3 Position w/ Transformer.....	<b>\$422.00</b>
PN <b>8311</b>	Deluxe Power Pack 3 Position.....	<b>\$385.00</b>
PN <b>9358</b>	120V to 9VDC 2.2 Amp Transformer.....	<b>\$42.00</b>

- Input Voltage of 7 - 24 V AC/DC
- Output Voltage of 2.6-5.5V, 1.2 Amp
- Voltage ramps up to improve bulb life
- Activation with Positive or Negative Air Pressure
- 10 Preset Output Voltages (No Meter Required)
- Instant on and adjustable delay settings
- Powers up to 3 Handpieces
- Small Compact Size 3 1/8" x 2 1/4" x 1"



8313

Integrated adjustable voltage regulator

### Deluxe Single Handpiece Light Source System

PN <b>8404</b>	Deluxe Single Power Pack w/Transformer.....	<b>\$122.00</b>
PN <b>8313</b>	Deluxe Single Power Pack.....	<b>\$85.00</b>
PN <b>9358</b>	120V to 9VDC 2.2 Amp Transformer.....	<b>\$42.00</b>

- Input Voltage of 7.5 - 9 V AC/DC
- Output Voltage of 2.5 - 4.2V, 1.2 Amp
- Positive Activation Pressure
- Variable voltage output
- Powers 1 Handpiece
- Small Compact Size 3" x 1" x 1"



9358

### Transformer for Deluxe & Single Circuit Power Pack

PN <b>9358</b>	120 VAC.....	<b>\$42.00</b>
PN <b>9359</b>	230 VAC.....	<b>\$62.00</b>

- 9358:** • 120V to 9VDC. 2.2AMPS
- 9359:** • 230 VAC 50/60 HZ to 9VDC. 2.2AMPS
- Comes with multiple international outlet adapters



Download DCI's App



## 5-Hole Lamp Module

PN **8813** Lamp module RED gasket for use w/ power optic tubings..... **\$68.00**

PN **8773** Lamp module BLACK gasket (old style) for use w/ older system 6000 and DCI equipment tubings..... **\$68.00**

- Ultra high pressure provides 50% more light & longer bulb life
- 8813: Drive Air & Exhaust Ports are DIFFERENT in outer diameter
- 8773: Drive Air & Exhaust Ports are the SAME in outer diameter



## Metal Terminal Nuts

PN **8815** Terminal Nut, Short..... **\$46.40**

PN **8814** Terminal Nut, Long..... **\$46.40**

### 8815:

- For use on fiber optic tubing using no lamp module
- Converts ISO to ISO-C tubing
- Metal construction, threaded

### 8814:

- For use on ISO fiber optic tubing w/ lamp module 8813
- Converts ISO-C to ISO style tubing
- Metal construction, threaded

Now comes standard w/  
**METAL NUT!**



## ISO 5-Hole Power Optic Handpiece Tubing

DARK SURF	GRAY	LT SAND	STERLING	BLACK		
<b>8759</b>	<b>8807</b>	<b>8818</b>	<b>8747</b>	<b>8808</b>	5' L.....	<b>\$149.40</b>
<b>8953</b>	<b>8933</b>	<b>8934</b>	<b>8935</b>		7' L.....	<b>\$173.10</b>
<b>8954</b>	<b>8961</b>	<b>8962</b>	<b>8963</b>		10' L.....	<b>\$197.80</b>
<b>8955</b>	<b>8977</b>	<b>8978</b>	<b>8979</b>		12' L.....	<b>\$212.00</b>
			<b>8813</b>		Lamp Module.....	<b>\$68.00</b>

- Requires lamp module 8813 (not included)

Now comes standard w/  
**METAL NUT!**



## ISO-C 6-Pin Power Optic Handpiece Tubing

DARK SURF	GRAY	LT SAND	STERLING	BLACK		
<b>8774</b>	<b>8797</b>	<b>8786</b>	<b>8745</b>	<b>8798</b>	5' L.....	<b>\$149.40</b>
<b>8990</b>	<b>8996</b>	<b>8993</b>	<b>8904</b>	<b>8718</b>	7' L.....	<b>\$173.10</b>
<b>8991</b>	<b>8997</b>	<b>8994</b>	<b>8905</b>		10' L.....	<b>\$197.80</b>
<b>8992</b>	<b>8998</b>	<b>8995</b>	<b>8906</b>		12' L.....	<b>\$212.00</b>

- Six-pin connector for ISO-C handpiece



8801

## ISO 5-Hole Economy Handpiece Illumination System

DARK SURF	GRAY	LT SAND	STERLING	BLACK	
8757	8801	8803	8710	8802	5' L.....

**\$265.00**

- Lamp in handpiece tubing connector

**Kit includes:**

PN **8713** 120V to 3.85 VDC 1AMP Transformer  
 PN **7084** 10 PSI Air Electric Switch  
 PN **8813** ISO 3.5VDC 720 MA Lamp Module  
 ISO 5-hole Asepsis Handpiece Tubing



8792

## ISO-C 6-Pin Economy Handpiece Illumination System


DARK SURF	GRAY	LT SAND	STERLING	BLACK	
8762	8791	8793	8706	8792	5' L.....

**\$210.00**

- Lamp is in handpiece or swivel adapter

**Kit includes:**


PN **8713** 120V to 3.85 VDC 1AMP Transformer  
 PN **7084** 10 PSI Air Electric Switch  
 ISO-C 6-pin Asepsis Handpiece Tubing



## Transformer for Economy Illumination Systems

PN **8713** Transformer, 120V 3.8VDC 1AMP..... **\$42.00**

- For use w/ an air Electric Switch, ISO 5-Hole & ISO-C 6-Pin Illumination Systems & Older Style Single Circuit Power Pack PN 8721



## Fiber Optic Tubings & Bundles

**Straight Asepsis Tubing w/ Ground Wire for Touch System**

GRAY	LT SAND	TUBING	BUNDLE	
451	360	6'	8'	..... \$257.50
453	361	7'	10'	..... \$257.50
455	362	7'	14'	..... \$257.50
459	364	12'	14'	..... \$257.50

**Straight Asepsis Tubing w/ 180° Swivel**

582	583	7'	—	..... \$220.00
-----	-----	----	---	----------------

## Replacement LED Handpiece Bulbs



PN **9372** LED Bulb ..... **\$68.20**

- Requires 3.5 Volt DC
- Fits Kavo Turbines & Micro Motors



PN **9374** LED Bulb ..... **\$68.20**

- Requires 3.5 Volt DC
- Fits Bien-Air Micro Motors



PN **9373** LED Bulb ..... **\$68.20**

- Requires 3.5 Volt DC
- Fits Sirona Turbines & Micro Motors

## Replacement Handpiece Bulbs



PN **9360** Bulb ..... **\$36.00**

- 3.5 Volt / 750 MA
- Fits Midwest XGT, Stylus & Stylus ATC handpieces (Midwest #790257R)



PN **9361** Bulb (A-dec® #0.0220.7610) ..... **\$36.00**

- 3.5 Volt / 750 MA
- Fits A-dec® / W & H handpieces 896, 898, 898-LE, TA-96L & TA-98L



PN **9363** Bulb (A-dec® #041.317.00) ..... **\$70.00**

- For handpiece tubings made after 1988
- Xenon
- Fits A-dec® 5-hole handpiece tubing
- Fits Forest tubing PN 0014-067



PN **9362** Bulb ..... **\$28.00**

- 3.3 Volt / 4 watt
- Kavo Lux coupler previous PN 553-3881
- Current PN 1002.2928
- Dabi Atlante

NEW ITEMS



## Turbines to fit A-dec® / W&H Handpieces

	PN	Description	Price	OEM	Handpiece Cap Tool DCI PN	Tool Price
Toplight	4772	W&H 796/896	<b>\$280.00</b>	0.02765500	4795	<b>\$50.00</b>
	4773	W&H 798/898	<b>\$300.00</b>	0.02760000	4796	<b>\$50.00</b>
Prior to 2007	4774	W&H TA96	<b>\$280.00</b>	0.03505500	4795	<b>\$50.00</b>
	4776	W&H TA98	<b>\$280.00</b>	0.03506000	4797	<b>\$50.00</b>
After 2007	4775	W&H TA97 LED	<b>\$280.00</b>	0.06391611	4798	<b>\$50.00</b>
	Synea 4777	W&H TA98 LED	<b>\$280.00</b>	0.06391711	4799	<b>\$50.00</b>



### 4-Hole Connector and Nut

PN 120T	Nut & Metal Connector.....	<b>\$12.80</b>
PN 120PT	Nut & Plastic Connector.....	<b>\$11.80</b>
PN 120N	Nut Only.....	<b>\$4.60</b>
PN 0120	Metal Connector Only.....	<b>\$8.20</b>
PN 120P	Plastic Connector Only.....	<b>\$7.30</b>



### 3-Hole Borden Connector and Nut

PN 121T	Nut & Metal Connector.....	<b>\$12.80</b>
PN 121PT	Nut & Plastic Connector.....	<b>\$11.80</b>
PN 121N	Stainless Steel Nut Only.....	<b>\$4.60</b>
PN 0121	Metal Connector Only.....	<b>\$8.20</b>
PN 121P	Plastic Connector Only.....	<b>\$11.80</b>



### Autoclavable Handpiece Gaskets

PN 0122	Gasket, 3-Hole Borden.....	<b>\$3.30</b>
PN 0123	Gasket, 4-Hole Midwest.....	<b>\$3.30</b>
PN 0124	Gasket, 5-Hole Midwest.....	<b>\$3.30</b>
PN 4710	Gasket, 6-Pin for 8813 Lamp Module.....	<b>\$3.30</b>
PN 4711	Gasket, 5-Hole Star.....	<b>\$4.65</b>
PN 4738	Gasket, 6-Pin for 8773 Lamp Module.....	<b>\$3.30</b>

*These parts are manufactured by DCI to fit A-dec® equipment. DCI has no affiliation with A-dec Inc. DCI replacement parts are not manufactured under license or supervision of A-dec®.*





## Handpiece Tubing Adapters

PN 0954	4-Hole Handpiece Tubing Inline Connector.....	\$9.00
PN 0956	To Install a 2 or 3-Hole Borden Handpiece on a 4-Hole Connector.....	\$80.00
PN 0957	To Install a 4-Hole Handpiece on a 2-Hole Borden Connector.....	\$80.00
PN 0958	To Install a 4-Hole Handpiece on a 3-Hole Borden Connector.....	\$90.00



## Handpiece Tools

### Pressure Test Gauge

PN 7267	Handpiece Pressure Gauge.....	\$26.00
PN 7281	Replacement Gauge.....	\$15.00

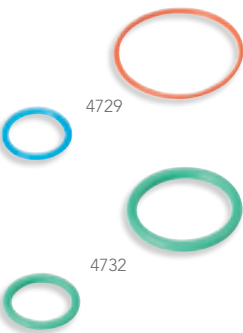
- Measures drive air pressure with handpiece running
- Fits both 6 pin and 5 hole handpieces
- 0-100 PSI gauge

### Repair Tools

PN 4706	Waterline Clearing Device.....	\$200.00
---------	--------------------------------	----------

### Burr Wrenches

PN 8625	Universal, Square Drive.....	\$21.00
PN 8627	For Midwest Quiet Air.....	\$21.00
PN 8628	For Midwest 8000 / Tradition.....	\$20.00



## Replacement Seals & O-Rings for Handpieces

### Coupler & Head Cap O-Rings

PN 4726	O-Ring for Midwest Stylus (pkg of 2).....	\$6.50
PN 4728	O-Ring for Kavo Multiflex Coupler (pkg of 5).....	\$16.00
PN 4729	O-Ring for Kavo 630/640 Water Spray Cover (pkg of 2).....	\$5.50
PN 4730	O-Ring for Kavo 647/649 Water Spray Cover (pkg of 2).....	\$6.00
PN 4731	O-Ring for NSK & Kinetic Vipor (pkg of 5).....	\$8.20
PN 4732	O-Ring for Star 430 / Solara Coupler (pkg of 2).....	\$11.30
PN 4733	O-Ring for Bien Air USA 5-Hole Coupler (pkg of 4).....	\$8.30
PN 4734	O-Ring for Bien Air Euro 6-Pin Coupler (pkg of 3).....	\$12.70
PN 4735	O-Ring for Sirona Coupler (pkg of 4).....	\$8.50
PN 4736	O-Ring for W&H Roto Quick Couplers 904, 924, RQ-04 & RQ-24 (pkg of 3).....	\$8.90



## Replacement Assistina Filter

PN 2814	Replacement Assistina Filter (W&H # 0.02675200).....	\$22.70
---------	--	---------

- In-line filter for 1/4" air line

*These parts are manufactured by DCI to fit A-dec® equipment. DCI has no affiliation with A-dec Inc. DCI replacement parts are not manufactured under license or supervision of A-dec®.*



4060

## DCI Handpiece Flush System

PN **4060** Flush System (less adapter)..... **\$215.00**

- Provides regulated & filtered air for cleaning & aiding in the lubrication of handpieces
- Purges air & water coolant lines
- Compact table top model
- No foot control required
- Adjustable air pressure w/ easy to read gauge
- Bottle collects excess lubricant
- Aids in quick relubricating following autoclaving
- 35-micron filter
- Easy to clean surfaces
- Easy installation
- For high speed handpieces only
- Requires 80 PSI 1/4" tubing hook up
- Requires adapter - select from list below



4087



4098



4086



4090



4088



4111



4084



4089



4096

### Adapters and Accessories

PN <b>4087</b>	Borden Adapter.....	<b>\$37.30</b>
PN <b>4098</b>	Henry Schein Adapter.....	<b>\$36.20</b>
PN <b>4086</b>	KAVO Adapter for Kavo & Lares Swivel.....	<b>\$41.20</b>
PN <b>4090</b>	Lares Adapter.....	<b>\$41.20</b>
PN <b>4088</b>	Midwest 4 or 5 hole Adapter.....	<b>\$30.90</b>
PN <b>4111</b>	Midwest XGT Adapter & Stylus w/ Swivel.....	<b>\$51.00</b>
PN <b>4084</b>	NSK Adapter.....	<b>\$58.00</b>
PN <b>4089</b>	Star Adapter.....	<b>\$38.20</b>
PN <b>4096</b>	W & H Adapter.....	<b>\$41.20</b>
PN <b>4080</b>	Replacement Bottle & Cap.....	<b>\$10.40</b>
PN <b>4076</b>	Silicone Tubing, 6" Length.....	<b>\$2.30</b>

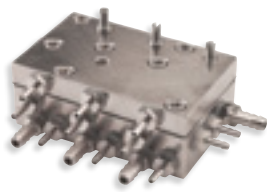
### Handpiece Flush Adapter O-Rings

PN <b>2282</b>	O-Ring, KAVO Adapter 4086 (pkg of 12).....	<b>\$11.50</b>
PN <b>2283</b>	O-Ring, KAVO Adapter 4086 (pkg of 12).....	<b>\$11.30</b>
PN <b>2257</b>	O-Ring, Borden Adapter 4087 (pkg of 12).....	<b>\$8.20</b>
PN <b>2284</b>	O-Ring, Borden Adapter 4087 (pkg of 12).....	<b>\$21.00</b>
PN <b>2254</b>	O-Ring, Star Adapter 4089 (pkg of 12).....	<b>\$8.20</b>
PN <b>2268</b>	O-Ring, Star Adapter 4089 (pkg of 12).....	<b>\$13.00</b>
PN <b>2281</b>	O-Ring, Lares Adapter 4090 (pkg of 12).....	<b>\$16.00</b>
PN <b>2286</b>	O-Ring, Lares Adapter 4090 (pkg of 12).....	<b>\$5.30</b>
PN <b>2287</b>	O-Ring, W & H Adapter 4096 (pkg of 12).....	<b>\$1.60</b>
PN <b>2288</b>	O-Ring, W & H Adapter 4096 (pkg of 12).....	<b>\$2.60</b>
PN <b>2257</b>	O-Ring, H. Schein Adapter 4098 (pkg of 12).....	<b>\$8.20</b>
PN <b>2254</b>	O-Ring, H. Schein Adapter 4098 (pkg of 12).....	<b>\$8.20</b>
PN <b>2299</b>	O-Ring, Midwest XGT Adapter 4111 (pkg of 12).....	<b>\$6.20</b>
PN <b>2295</b>	O-Ring, Midwest XGT Adapter 4111 (pkg of 12).....	<b>\$9.10</b>



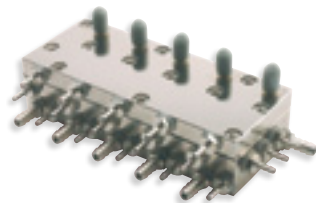


## Automatic Handpiece Block Single-Piece Assembly



4421

PN 4380	Twin-Block w/ Long Adjustment Screws	\$80.00
PN 4382	Twin-Block w/ Std. Adjustment Screws	\$80.00
PN 4421	Tri-Block	\$90.00
PN 4425	Quad-Block	\$125.00
PN 4427	Quin-Block	\$210.00
PN 4381	Diaphragm, Twin-Block	\$2.60
PN 4430	Diaphragm, Tri-Block	\$3.20
PN 4433	Diaphragm, Quad-Block	\$3.60
PN 4434	Diaphragm, Quin-Block	\$2.20
PN 4432	Drive Air Adjusting Screw	\$5.70
PN 4426	Mounting Bracket	\$9.50



4427

- Consistent flow control for handpiece pressure adjustments
- Higher output due to improved airflow
- Longer lasting diaphragm
- No internal cross-over of air or water
- Block dimensions, 1 1/2" x 1 1/2" x 1" (4382)
- Block dimensions, 2 3/8" x 1 1/2" x 1" (4421)
- Block dimensions, 3 1/8" x 1 1/2" x 1" (4425)
- Block dimensions, 3 3/4" x 1 1/2" x 1" (4427)



## Manual Handpiece Control Block

PN 4093	Control Block	\$24.30
---------	---------------	---------

- For use on DCI 4102 & other manual handpiece control systems
- Includes all barb fittings
- Handpiece pressure adjustment



## Handpiece Muffler and Oil Collector

PN 7321	Muffler	\$28.00
---------	---------	---------

- Can be mounted through frame for removal from outside control head
- Will handle up to four handpieces
- Minimum back pressure
- Compact size to fit inside control head
- Filter media is standard cotton swab material



## Tubing HP Exhaust Muffler

PN 0949	Exhaust Muffler	\$22.00
---------	-----------------	---------

432



## Asepsis 4-Hole Handpiece Tubing

<u>DARK SURF</u>	<u>GRAY</u>	<u>LT SAND</u>	<u>STERLING</u>	<u>BLACK</u>		
435CT	432CT	433CT	436CT	431CT	Coiled w/ Connector.....	\$33.00
435T	432T	433T	436T	431T	Straight 7 ft. w/Connector.....	\$22.00
435	432	433	436	431	Straight (per ft.).....	\$1.30
435R	432R	433R	436R	431R	100 ft. Roll.....	\$96.00
435B	432B	433B	436B	431B	100 ft. Box.....	\$96.00

323



## Asepsis 3-Hole Handpiece Tubing

<u>GRAY</u>			
322CT	Coiled w/ Connector.....		\$27.00
322T	Straight 7 ft. w/ Connector.....		\$22.00
322	Straight (per ft.).....		\$1.06
322R	100 ft. Roll.....		\$90.00
322B	100 ft. Box.....		\$90.00

402



## Standard 4-Hole Handpiece Tubing

<u>GRAY</u>			
402CT	Coiled w/ Connector.....		\$30.00
402T	Straight 7 ft. w/ Connector.....		\$18.00
402	Straight (per ft.).....		\$1.12
402R	100 ft. Roll.....		\$86.00
402B	100 ft. Box.....		\$86.00

302



## Standard 3-Hole Handpiece Tubing

<u>GRAY</u>			
302CT	Coiled w/ Connector.....		\$26.00
302T	Straight 7 ft. w/ Connector.....		\$21.00
302	Straight (per ft.).....		\$1.20
302R	100 ft. Roll.....		\$80.00
302B	100 ft. Box.....		\$80.00

212



## Standard 2-Hole Handpiece Tubing

<u>GRAY</u>			
212	Straight (per ft.).....		\$0.90
212R	100 ft. Roll.....		\$90.00
212B	100 ft. Box.....		\$90.00



# Syringes



50 – 51

Precision Comfort®  
Syringes



52 – 54

Quick-Clean®  
Syringes



55

Autoclavable  
Syringes



56

Syringe Tips



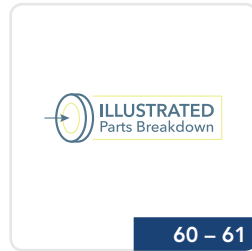
57

Syringe Tools, Heaters  
& Blocks



58 – 59

Syringe Parts &  
Repair Kits



60 – 61

Illustrated Parts  
Breakdown



## TECH TIP

### Simple Solutions For Air / Water Syringe Troubleshooting

#### Water mixing with the air?

Replace the  
O-Ring under  
Quick Change  
Adapter.



**PN 2201** for standard syringes (black in color)  
**PN 2305** for autoclavable syringes (brown in color)

#### Water leaking around the button or continues to drip out of the tip?

Replace the button or, in a pinch, swap  
the air and water buttons. The O-Rings  
on the air side are less likely to stick.

**PN 3625** Precision Comfort Button w/ Spring  
**PN 3085** Quick-Clean Standard Button w/ Spring  
**PN 3093** Quick-Clean Valve Core Button w/ Spring  
**PN 3092** Deluxe Autoclavable Button w/ Spring

## Precision Comfort® Syringe



### Precision Touch Buttons

New Precision Touch Buttons improve ergonomics & reduce hand fatigue.

- 45% Softer Buttons
- 30% Increased Angle
- 20% Increased Button Size

### Patented Precision Touch Buttons

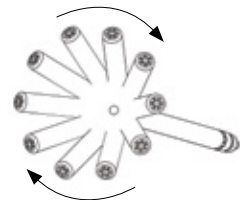
Precision Touch Buttons deliver water (one drop to a full stream) – air (one puff to a full flow) – or a combination of both.



### Ergonomic Finger Rest

Comfort fit designed to reduce hand fatigue

Tips rotate in 10° increments, then lock into place for a total of 360°



### Quick-Change Tip

- Quick & easy tip removal w/o the need for tools
- Securely locks tip in place for piece of mind

### Autoclavable Indexing Retraction Tip Comes Standard

- Creates added resistance when rotating tip to facilitate retraction
- Also compatible with Standard syringe tips

### PAGE 149

For Precision Comfort® Syringe Tubing



PAGE 60 ILLUSTRATED Parts Breakdown

LESS TUBING	DARK SURF	GRAY	LT SAND	STERLING	BLACK
3600					
3615					
	3609	3603	3605	3607	3601
	3610	3604	3606	3608	3602

Syringe Only.....	\$71.00
Syringe Head Only.....	\$64.00
Coiled Tubing.....	\$79.90
Straight Tubing (7').....	\$79.90



## DCI Precision Comfort® One-Button Syringe

- Smooth contour for easy cleaning
- Quick-Change® tip disconnect
- Accepts standard autoclavable tips or disposable tips
- Precise control of air or water
- Asepsis tubing standard
- Includes service kit when purchased w/ tubing

PAGE **60** ILLUSTRATED Parts Breakdown

LESS TUBING	DARK SURF	GRAY	LT SAND	STERLING	BLACK
<b>3640</b>	<b>3645</b>	<b>3642</b>	<b>3643</b>	<b>3644</b>	<b>3641</b>

Syringe Only.....	<b>\$70.00</b>
Straight Tubing (7').....	<b>\$75.10</b>



## For Repair of Precision Comfort® Syringes

PN <b>3625</b>	Precision Comfort Syringe Button w/ Spring.....	<b>\$9.20</b>
PN <b>3624</b>	Precision Comfort Syringe Button w/ Spring (pkg of 10).....	<b>\$88.00</b>
PN <b>9676</b>	Precision Comfort Spring Only.....	<b>\$7.00</b>
PN <b>3631</b>	Precision Comfort Syringe Repair Kit.....	<b>\$8.00</b>
PN <b>3635</b>	Precision Comfort Syringe Repair Kit w/ 2 buttons.....	<b>\$19.00</b>

- For New DCI Syringes

NEW ITEMS



## DCI Syringe Adapter Kits

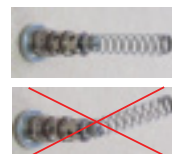
PN <b>3088</b>	Autoclavable Syringe Adapter Kit.....	<b>\$28.80</b>
PN <b>3089</b>	Syringe Adapter Kit.....	<b>\$27.80</b>

- Fits DCI Quick-Change® Tip Syringes
- Includes: 1 tip adapter assembly, 1 tip adapter spring, 1 tip adapter pin, 1 syringe head O-Ring, 1 5/32" hex wrench

**TECH TIP**

## How to install the Precision Comfort® Syringe Button

- 1** Remove dowel pin from syringe head by pushing pin through with a pointed object.
- 2** Remove button assembly and discard.
- 3** Install spring on button assembly. Ensure spring is straight.
- 4** Place button/spring assembly into syringe head.
- 5** Press both buttons at the same time; insert dowel pin until flush with syringe head.





## Quick-Clean® Standard Syringe

Smooth contours for quick, thorough cleaning

Quick-Change® tip disconnect

Uses standard autoclavable tips or disposable tips

Asepsis tubing standard

Includes service kit when purchased w/ tubing



Visit the DCI Video Library for a demonstration on how to repair a Quick-Clean® syringe button.

3430

PAGE **60** **ILLUSTRATED**  
Parts Breakdown

LESS TUBING	DARK SURF	GRAY	LT SAND	STERLING	BLACK	
<b>3430</b>						Syringe Only..... <b>\$71.00</b>
<b>3429</b>						Syringe Head Only..... <b>\$64.00</b>
	<b>3444</b>	<b>3438</b>	<b>3440</b>	<b>3443</b>	<b>3436</b>	Coiled Tubing..... <b>\$79.90</b>
	<b>3445</b>	<b>3439</b>	<b>3441</b>	<b>3442</b>	<b>3437</b>	Straight Tubing (7')..... <b>\$79.90</b>
<b>3430C</b>						Circulating Syringe w/o Tubing..... <b>\$93.75</b>



## Quick-Clean® Continental Syringe

LESS TUBING	DARK SURF	GRAY	LT SAND	STERLING	BLACK
-------------	-----------	------	---------	----------	-------

<b>3450</b>					
	<b>3464</b>	<b>3459</b>	<b>3461</b>	<b>3463</b>	<b>3457</b>

Syringe Only.....	<b>\$71.00</b>
Straight Tubing (7').....	<b>\$83.90</b>



3450



3098

## Repair Parts for Quick-Clean® Standard & Continental Syringes

PN **3085** Quick-Clean Syringe Button & Conical Spring..... **\$9.00**

PN **3099** Quick-Clean Syringe Button w/ Spring (pkg of 10)..... **\$86.00**

PN **3066** Quick-Clean Syringe Repair Kit..... **\$8.00**

PN **3098** Quick-Clean Syringe Repair Kit w/ 2 buttons..... **\$18.00**

PN **9670** Button Spring Only..... **\$.70**

NEW ITEMS

## DCI Syringe Adapter Kits

PN **3088** Autoclavable Syringe Adapter Kit..... **\$28.80**

PN **3089** Syringe Adapter Kit..... **\$27.80**



3088

- Fits DCI Quick-Change® Tip Syringes
- Includes: 1 tip adapter assembly, 1 tip adapter spring, 1 tip adapter pin, 1 syringe head O-Ring, 1 5/32" hex wrench



3470

## Quick-Clean® Valve Core Style Syringe

- Smooth contours for quick, thorough cleaning
- Quick-Change® tip disconnect
- Uses standard autoclavable tips or disposable tips
- Asepsis tubing standard
- Includes service kit when purchased w/ tubing

LESS TUBING	DARK SURF	GRAY	LT SAND	STERLING	BLACK
<b>3470</b>	<b>3483</b> <b>3484</b>	<b>3478</b> <b>3479</b>	<b>3474</b> <b>3475</b>	<b>3482</b> <b>3481</b>	<b>3476</b> <b>3477</b>

Syringe Only.....	<b>\$75.00</b>
Coiled Tubing.....	<b>\$83.90</b>
Straight Tubing (7').....	<b>\$83.90</b>

NEW ITEM



## Repair Parts for Quick-Clean® Valve Core Style Syringes

PN <b>3093</b>	Syringe Button w/ Spring.....	<b>\$9.20</b>
PN <b>9674</b>	Spring Only.....	<b>\$.70</b>
PN <b>3076</b>	Syringe Repair Kit.....	<b>\$8.20</b>
PN <b>3090</b>	Valve Core (pkg of 10).....	<b>\$6.00</b>
PN <b>3034</b>	Valve Core Syringe Button w/ Spring (pkg of 10).....	<b>\$88.00</b>



### TECH TIP: HOW TO IDENTIFY WHICH SYRINGE YOU HAVE



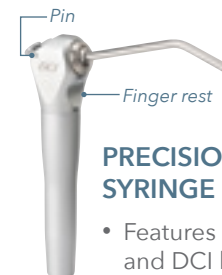
#### VALVE CORE SYRINGE

- DCI logo on the top
- No pin or finger rest



#### QUICK-CLEAN® SYRINGE

- DCI logo on the top
- Features pin
- No finger rest



#### PRECISION COMFORT® SYRINGE

- Features pin, finger rest, and DCI logo on the side

*Need help repairing your DCI syringe?* Visit the DCI Partner Resource Center under Maintenance and Repair videos.







## DCI Autoclavable Syringes

- Complete handle & head assembly are fully autoclavable
- Quick-Change® tip disconnect
- Accepts standard autoclavable tips or disposable tips
- Includes service kit when purchased w/ tubing
- Asepsis tubing standard

PAGE 61 ILLUSTRATED Parts Breakdown

**LESS TUBING | DARK SURF | GRAY | LT SAND | STERLING | BLACK**

**3369**  
**3370**  
**3320**  
**3325**

**3404**  
**3405**

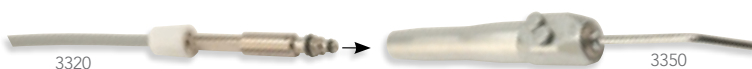
**3378**  
**3379**

**3374**  
**3375**

**3399**  
**3398**

**3376**  
**3377**

Head, Handle & Q.D. **\$153.00**  
 Head, Handle.....**\$107.00**  
 Quick Disconnect .....**\$98.00**  
 Q.D. Holder.....**\$3.00**  
 Coiled Tubing.....**\$161.90**  
 Straight Tubing (7').....**\$161.90**



## Deluxe Autoclavable Continental Syringe

**LESS TUBING | DARK SURF | GRAY | LT SAND | STERLING | BLACK**

**3349**  
**3350**

**3406**

**3359**

**3355**

**3361**

**3357**

Head, Handle & Q.D. **\$153.00**  
 Head, Handle.....**\$107.00**  
 Straight Tubing (7').....**\$194.00**

- Patented quick-disconnect turns air & water off when syringe is removed



## Repair Parts for Autoclavable Syringes

PN **3092** Syringe Button w/ Spring..... **\$9.20**  
 PN **9674** Spring Only..... **\$7.00**  
 PN **3072** Syringe Repair Kit..... **\$8.80**



## DCI Syringe Adapter Kits

PN **3088** Autoclavable Syringe Adapter Kit..... **\$28.80**

- Fits DCI Quick-Change® Tip Syringes
- Includes: 1 tip adapter assembly, 1 tip adapter spring, 1 tip adapter pin, 1 syringe head O-Ring, 1 5/32" hex wrench



## Repair Parts for Autoclavable Continental Syringes

PN **3086** Syringe Button & Conical Spring..... **\$11.00**  
 PN **3045** Syringe Repair Kit..... **\$9.80**

FEATURED

### Autoclavable Indexing Tips



3180

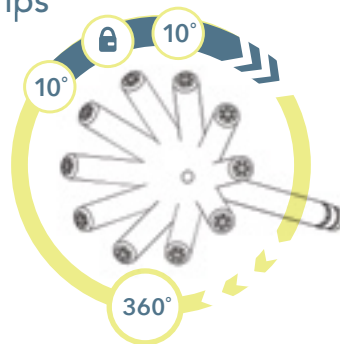


Interchangeable in most common syringe heads



Provides resistance to rotation in the DCI quick-change adapter to facilitate cheek retraction

- 3180 tips are standard in the Precision Comfort style DCI syringe



Tips rotate in 10° increments, then lock into place for a total of 360°

PN <b>3180</b>	Indexing Syringe Tip (1 ea.).....	<b>\$5.90</b>
PN <b>3181</b>	Pkg of 5 (\$5.50 ea.).....	<b>\$27.50</b>
PN <b>3182</b>	Pkg of 50 (\$5.10 ea.).....	<b>\$255.00</b>

### Autoclavable Syringe Tips



3060

PN <b>3060</b>	Quick-Change® Autoclavable Tip (1 ea.).....	<b>\$4.80</b>
PN <b>3061</b>	Pkg of 5 (\$4.70 ea.).....	<b>\$23.50</b>
PN <b>3059</b>	Pkg of 50 (\$4.00 ea.).....	<b>\$200.00</b>

- 3060 tips are standard in the Quick-Clean and Autoclavable Style DCI Syringe

*NOTE: The autoclavable syringe tips are interchangeable and are used in syringes with the old style nut retainer and in the DCI Quick-Change® tip disconnect. The DCI syringe tips offer more air outlet ports than the A-dec® tip.*

### Autoclavable Syringe Tips to fit A-dec® Syringes



3054

PN <b>3054</b>	A-dec® Autoclavable (1 ea.).....	<b>\$4.90</b>
PN <b>3055</b>	Pkg of 5 (\$4.80 ea.).....	<b>\$24.00</b>
PN <b>3056</b>	Pkg of 50 (\$4.10 ea.).....	<b>\$205.00</b>

- With alignment rings
- Autoclavable

*These parts are manufactured by DCI to fit A-dec® equipment. DCI has no affiliation with A-dec Inc. DCI replacement parts are not manufactured under license or supervision of A-dec®.*



## Syringe Tools



9287



8059



3033



3096



9286



3097

PN <b>9287</b>	DCI Syringe 3-in-1 Tool, Includes Valve Core Tool, Quick-Change® Adapter Tool & Button Pin Removal Tool.....	<b>\$8.00</b>
PN <b>8059</b>	Syringe Button Removal Tool.....	<b>\$12.00</b>
PN <b>3097</b>	Syringe Nut Wrench.....	<b>\$1.75</b>
PN <b>3096</b>	Valve Core Tool.....	<b>\$3.00</b>
PN <b>9286</b>	A-dec® Syringe Tool.....	<b>\$16.00</b>
PN <b>3033</b>	Forest Syringe Button, Barb & Adapter Tool.....	<b>\$2.50</b>

## Syringe Water Heaters



3211

PN <b>3211</b>	Air Actuated On/Off, 110/120 VAC.....	<b>\$350.00</b>
PN <b>3112</b>	Manual On/Off, 220/240 VAC.....	<b>\$400.00</b>

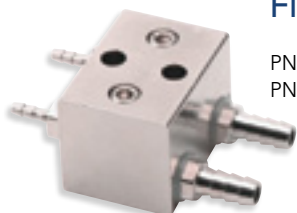
### 110 / 120 VAC Heater

- Solid state temperature control providing more uniform temperature
- Air actuated on/off control

- 4 1/4" high x 2" diameter
- Power "on" indicator light
- Safety overheat shut-off
- Hospital grade plug

### 220 / 240 VAC Heater

- Manual on/off control
- 4" high x 2" diameter
- Power "on" indicator light



3021

## Flow Control Connector Block

PN <b>3021</b>	Syringe Block.....	<b>\$18.90</b>
PN <b>2110</b>	Flow Adjusting Screw.....	<b>\$2.30</b>

- Allen adjusting screws for air & water
- Mounting hardware
- 10-32 Barbs for 1/8" & 1/4" O.D. tubing

## For Repair of DCI Syringes (Older Tip Retainer Nut Style)



3030

### For syringes 3000, 3120, 3140 & 3160

PN <b>3030</b>	Kit, Including Tip 3060.....	<b>\$17.10</b>
PN <b>3040</b>	Kit, Less Syringe Tip.....	<b>\$11.30</b>
PN <b>3049</b>	Syringe Tip Adapter, w/ O-Ring.....	<b>\$6.20</b>
PN <b>2040</b>	Collet Cone, Plastic, for Nut-Type Syringe Tip Retainer.....	<b>\$1.20</b>
PN <b>2060</b>	Syringe Tip Nut, Chrome.....	<b>\$4.60</b>
PN <b>9704</b>	Allen Wrench 5/32 Hex.....	<b>\$1.00</b>

- Converts syringes w/ non-autoclavable tips
- Includes nut wrench & 5/32" hex key



3042

### For valve core syringe 3000

PN <b>3042</b>	Syringe Repair Kit.....	<b>\$8.20</b>
----------------	-------------------------	---------------



2035

### For valve core syringe 3140

PN <b>2034</b>	Plastic Lever, Right.....	<b>\$6.20</b>
PN <b>2035</b>	Plastic Lever, Left.....	<b>\$6.20</b>



3080

PN <b>3080</b>	For Valve Core Syringe.....	<b>\$7.20</b>
PN <b>3070</b>	For Lever Syringe.....	<b>\$9.30</b>

## Parts & Tools to fit A-dec® Syringes



PN **9286** Tool to fit A-dec® Syringes..... **\$16.00**

- Includes valve core tool, button retaining screw key and tip adapter key A-dec® #98.0010.00



PN **9150** Syringe Button Screw, (A-dec® #23.1193.01) (pkg of 5)..... **\$26.80**

- Fits A-dec® Syringes produced 1995 & later



### Fits Tri-Flow, lever, soft touch button & continental syringe

PN **2041** Brass Swivel Sleeve, (A-dec® #23.0886.00) (pkg of 5)..... **\$3.80**



PN **3090** Valve Core, (A-dec® #026.033.01) (pkg of 10)..... **\$6.00**



### Fits Tri-Flow syringes, soft touch button, lever & continental syringe

PN **9028** Conical Button Spring, (A-dec® #013.038.01) (pkg of 10)..... **\$6.90**



PN **9186** Button Assy to fit A-dec® Syringes, (A-dec® #23.1232.00)..... **\$14.00**

PN **9347** Repair Kit for A-dec® Soft Touch Syringe w/ 2 Buttons..... **\$26.00**



PN **9326** Service Kit to fit A-dec® Lever Syringes, (A-dec® #23.1093.00)..... **\$22.00**

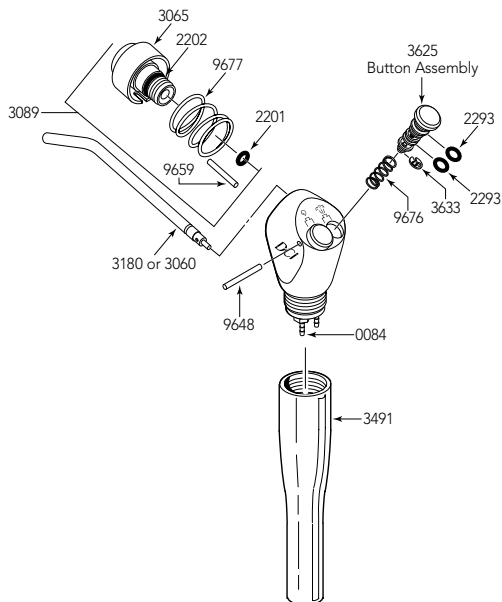
#### Kit includes:

- PN **3070** Button for Lever Syringe (A-dec® #23.0048.00)
- PN **9028** Conical Button Spring (A-dec® #013.038.01)
- PN **8034** Silicone Lubricant 1 (A-dec® #98.0090.00)

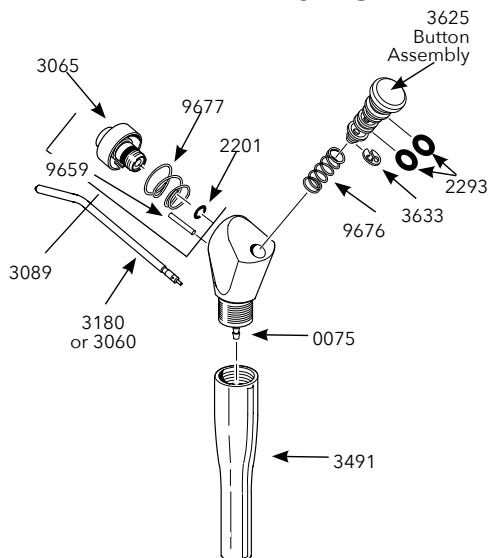
*These parts are manufactured by DCI to fit A-dec® equipment. DCI has no affiliation with A-dec Inc. DCI replacement parts are not manufactured under license or supervision of A-dec®.*

NEW ITEMS

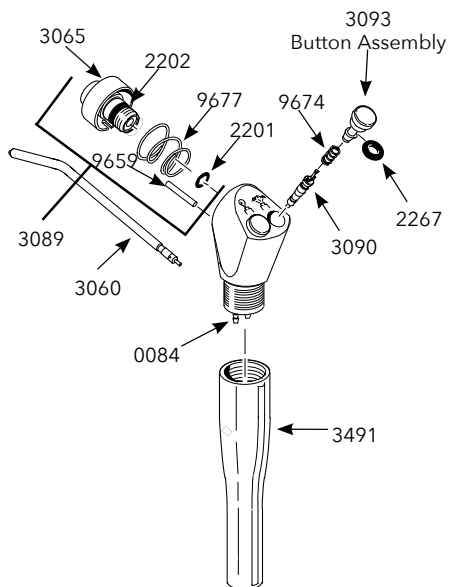
## Precision Comfort® Syringe



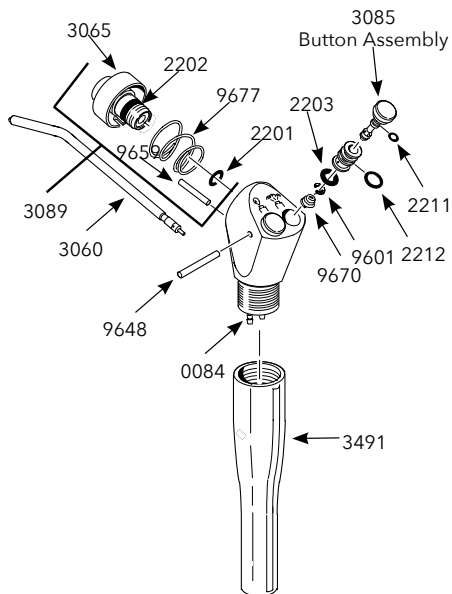
## Precision Comfort® One-Button Syringe



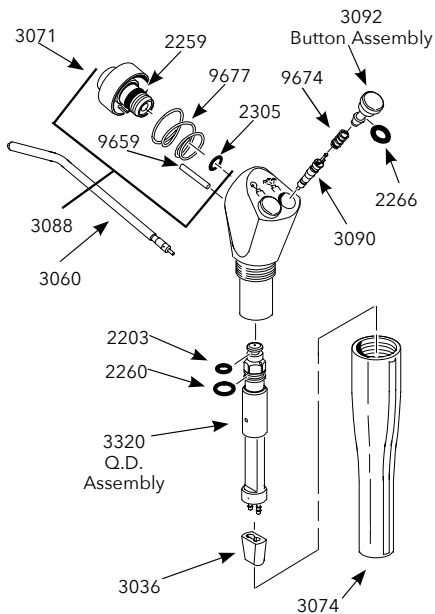
## Quick-Clean® Valve Core Syringe



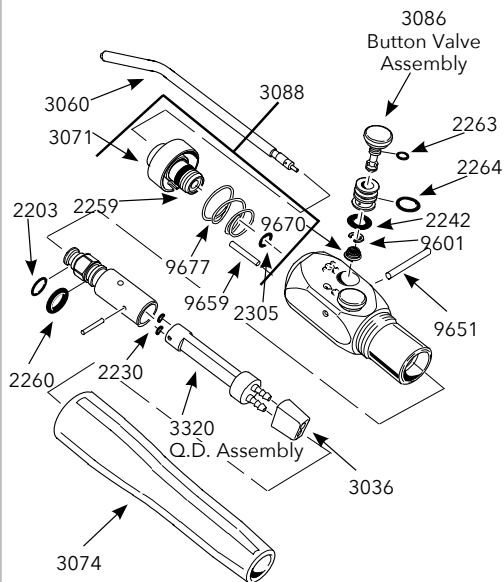
## Quick-Clean® Standard Syringe



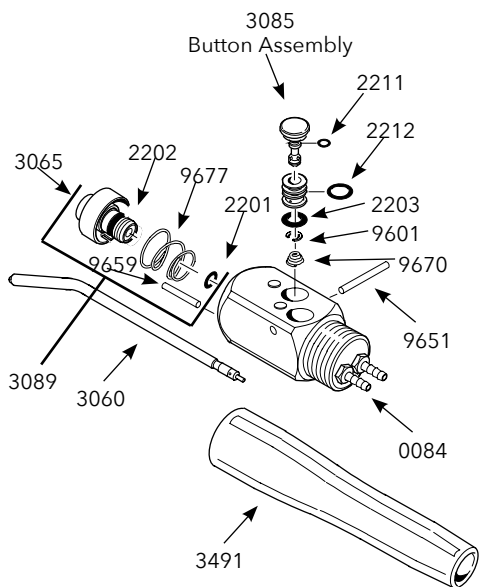
## Autoclavable Syringe



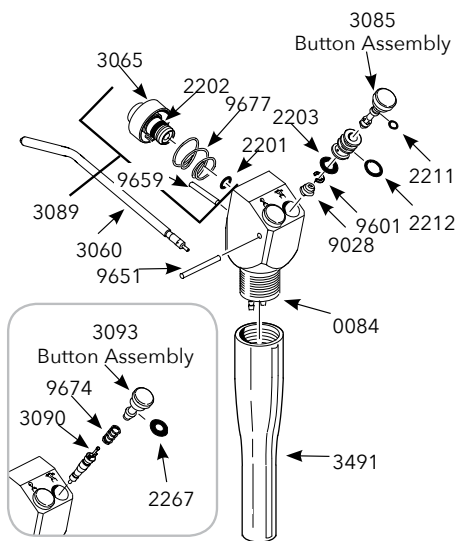
## Autoclavable Continental Syringe



## Quick-Clean® Continental Syringe



## Traditional Syringe



## All DCI Syringe Parts

<b>0075</b>	Barb, 10-32 & Washer (pkg of 10).....	<b>\$5.60</b>	<b>3085</b>	Button Valve Assembly.....	<b>\$9.00</b>
<b>0084</b>	Barb, 8-32 & Washer (pkg of 10).....	<b>\$6.50</b>	<b>3086</b>	Button Valve, Autoclavable.....	<b>\$11.00</b>
<b>0085</b>	Nylon Washer 8-32 (pkg of 10).....	<b>\$3.10</b>	<b>3088</b>	Autoclavable Quick-Change Kit.....	<b>\$28.80</b>
<b>2201</b>	O-Ring (pkg of 12).....	<b>\$2.90</b>	<b>3089</b>	Quick-Change® Tip Adapter Kit.....	<b>\$27.80</b>
<b>2202</b>	O-Ring (pkg of 12).....	<b>\$2.90</b>	<b>3090</b>	Valve Core (pkg of 10).....	<b>\$6.00</b>
<b>2203</b>	O-Ring (pkg of 12).....	<b>\$2.90</b>	<b>3092</b>	Autoclavable Button Assembly.....	<b>\$9.20</b>
<b>2211</b>	O-Ring (pkg of 12).....	<b>\$2.90</b>	<b>3093</b>	Button Assembly, QC Syringe.....	<b>\$9.20</b>
<b>2212</b>	O-Ring (pkg of 12).....	<b>\$2.90</b>	<b>3180</b>	Indexing Syringe Tip.....	<b>\$5.90</b>
<b>2230</b>	O-Ring (pkg of 12).....	<b>\$2.90</b>	<b>3320</b>	Quick Disconnect Assembly.....	<b>\$98.00</b>
<b>2242</b>	O-Ring (pkg of 12).....	<b>\$5.70</b>	<b>3491</b>	Handle, Quick-Clean® Syringe.....	<b>\$8.20</b>
<b>2259</b>	O-Ring (pkg of 12).....	<b>\$8.10</b>	<b>3625</b>	Precision Comfort™ Syringe Button w/ Spring.....	<b>\$9.20</b>
<b>2260</b>	O-Ring (pkg of 12).....	<b>\$8.10</b>	<b>3633</b>	Retaining Ring.....	<b>\$2.00</b>
<b>2263</b>	O-Ring (pkg of 12).....	<b>\$8.10</b>	<b>9028</b>	Spring Conical (pkg of 10).....	<b>\$6.90</b>
<b>2264</b>	O-Ring (pkg of 12).....	<b>\$8.10</b>	<b>9601</b>	Retaining Ring.....	<b>\$2.00</b>
<b>2266</b>	O-Ring (pkg of 12).....	<b>\$9.50</b>	<b>9648</b>	Pin, Quick-Clean® Syringe Button.....	<b>\$1.40</b>
<b>2267</b>	O-Ring (pkg of 12).....	<b>\$2.90</b>	<b>9651</b>	Pin, Syringe Button.....	<b>\$1.40</b>
<b>2293</b>	O-Ring (pkg of 12).....	<b>\$2.90</b>	<b>9659</b>	Pin, Tip Adapter.....	<b>\$0.50</b>
<b>2305</b>	O-Ring (pkg of 12).....	<b>\$8.10</b>	<b>9670</b>	Spring, Syringe Button.....	<b>\$0.70</b>
<b>3036</b>	Tubing Sleeve (1 ea.).....	<b>\$2.10</b>	<b>9674</b>	Spring, Syringe Button.....	<b>\$0.70</b>
<b>3059</b>	Syringe Tip (pkg of 50).....	<b>\$200.00</b>	<b>9676</b>	Spring, Syringe Button.....	<b>\$0.70</b>
<b>3060</b>	Syringe Tip (1 ea.).....	<b>\$4.80</b>	<b>9677</b>	Spring, Tip Adapter.....	<b>\$0.50</b>
<b>3061</b>	Syringe Tip (pkg of 5).....	<b>\$23.50</b>			
<b>3065</b>	Tip Adapter Assembly.....	<b>\$24.70</b>			
<b>3071</b>	Tip Adapter Assembly, Autoclavable.....	<b>\$25.80</b>			
<b>3074</b>	Handle, Autoclavable Syringe.....	<b>\$10.30</b>			





# Vacuum Components



64 – 65

Assistant's Packages



66 – 68

Vacuum Valves



69

A-dec® Vacuum Valves  
& Q.D. Swivels



70

Evacu-Tips



71 – 73

Vacuum Valve  
Accessories



74 – 76

Traps, Screens  
& Cleaner



77 – 78

Alternative  
Vacuum Kits



79

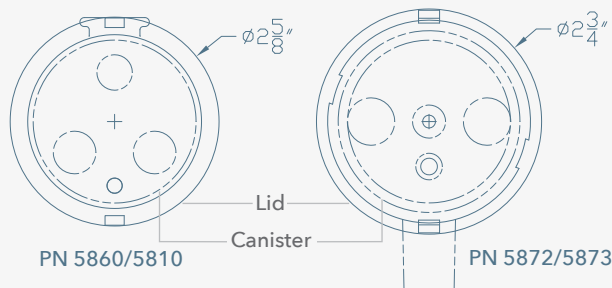
Illustrated Parts  
Breakdown



## TECH TIP

### Trying to figure out which vacuum canister you have?

Compare your lid to the drawings on the right to figure out which part you need.



## What do DCI Assistant's Packages include?

- Syringe & Vacuum Valves of your choice. The style of instruments determines the price.
- HVE & SE include 7' of tubing
- Syringe includes 7' of tubing & flow control block 3021
- Drain tubing 7'
- 5860 Vac Canister

FEATURED



### Precision Comfort Assistant's Package

PN <b>5363</b>	Precision Comfort Syringe, HVE & SE.....	<b>\$290.00</b>
PN <b>5364</b>	Precision Comfort Syringe, 2 HVE's & SE.....	<b>\$355.00</b>
PN <b>5365</b>	2 Precision Comfort HVE's & SE.....	<b>\$190.00</b>

- HVE & SE include 7' of tubing
- Syringe includes 7' of tubing & flow control block 3021
- Drain tubing 7'
- Includes PN 3604, 5112, 5222 & 5860

**WILL NOT BEND OR BREAK!**



Single Piece Metal Lever



New O-Ring Placement Fits Evacu-Tip & Tip-A-Dilly™



No Rubber Tip Required



### Standard Assistant's Package

PN <b>5366</b>	Quick Clean Syringe, Standard HVE & SE.....	<b>\$290.00</b>
PN <b>5367</b>	Quick Clean Syringe, 2 Standard HVE's & SE.....	<b>\$355.00</b>
PN <b>5368</b>	2 Standard HVE's & SE.....	<b>\$190.00</b>

- Includes PN 3430, 5070, 5090 & 5860



### Economy Assistant's Package

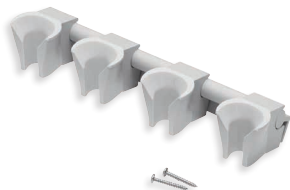
PN <b>5369</b>	Quick Clean Syringe, Economy HVE & SE.....	<b>\$280.00</b>
PN <b>5370</b>	Quick Clean Syringe, 2 Economy HVE's & SE.....	<b>\$345.00</b>
PN <b>5371</b>	2 Economy HVE's & SE.....	<b>\$180.00</b>

- Includes PN 3430, 5150, 5660 & 5860

Vacuum Components



## Wall or Cabinet Mounted Holders



PN 5372	3 Position Holder Bar.....	<b>\$73.00</b>
PN 5373	4 Position Holder Bar.....	<b>\$93.00</b>

- Mounts to any vertical surface
- Holds HVE by tip
- Adjustable tilt angle
- Durable plastic holder & machined aluminum-mount

## Telescoping Arm Holders



PN 5374	3 Position Telescoping Arm, Gray.....	<b>\$510.00</b>
PN 5376	4 Position Telescoping Arm, Gray.....	<b>\$550.00</b>
PN 5375	3 Position Telescoping Arm, White.....	<b>\$510.00</b>
PN 5377	4 Position Telescoping Arm, White.....	<b>\$550.00</b>

- Telescoping arm w/ breakaway feature
- Mounts to a 2" post
- 24" to 46 3/4" horizontal reach
- Holds HVE by tip
- Includes mount for vacuum trap

## Swing Mount Assistant's Holder



PN 8389	3 Position Swing Holder Bar.....	<b>\$210.00</b>
PN 5378	4 Position Swing Holder Bar.....	<b>\$240.00</b>

- Mounts to any vertical or horizontal surface
- Holds HVE by tip
- 3 position is 11 3/4" long, 5 1/2" tall
- 4 position is 13 3/4" long, 5 1/2" tall
- Includes mount for vacuum trap

## Wall & Cart Mounted Assistant's Instrumentation



PN 5432	Premium Vacuum Package.....	<b>\$570.00</b>
PN 5433	Standard Vacuum Package.....	<b>\$530.00</b>

- One HVE w/ 6' tubing
- One SE w/ 6' tubing
- Syringe includes 7' tubing

## Precision Comfort® Autoclavable Premium Valves



The Precision Comfort® line of Vacuum Valves is engineered with a large single piece lever that will not bend or break and is easier to activate comfortably, making it one of the most ergonomic valves on the market.



**WILL NOT  
BEND OR  
BREAK!**



Single Piece Metal Lever



New O-Ring Placement  
Fits Evacu-Tip &  
Tip-A-Dilly™



No Rubber Tip Required

### Extended Vacuum Valves

Used w/ Standard Holder

PN 5112	Single Valve w/ Quick-Disconnect.....	\$49.00
PN 5107	Replacement Quick-Disconnect Swivel for 1/2" Tubing.....	\$13.00
PN 5108	Replacement Lever & Spool Assembly.....	\$20.00

### Short Vacuum Valves

Used w/ Vacuum Holder

PN 5131	Single Valve w/ Quick-Disconnect.....	\$46.00
PN 5107	Replacement Quick-Disconnect Swivel for 1/2" Tubing.....	\$13.00
PN 5108	Replacement Lever & Spool Assembly.....	\$20.00

### Saliva Ejectors

Used w/ Standard Holder

PN 5222	Single Valve w/ Quick-Disconnect.....	\$43.00
PN 5217	Replacement Quick-Disconnect Swivel for 3/16" Tubing.....	\$11.00
PN 5218	Replacement Lever & Spool Assembly.....	\$20.00

PAGE 79 ILLUSTRATED  
Parts Breakdown



**PAGE 69**  
Precision Comfort®  
Conversion Q.D.  
Swivels



O-RING PLACEMENT ALLOWS FOR TIP-A-DILLY & EVACU-TIPS!

### Standard Autoclavable Valves

Single piece anodized aluminum body

Easy removal lever & spool valve assembly

Quick disconnect - 360° swivel

Includes brush for cleaning



5070

### Extended Vacuum Valves

Used w/ Standard Holder

PN <b>5070</b> Single Valve w/ Quick-Disconnect.....	<b>\$49.00</b>
PN <b>5082</b> Replacement Quick-Disconnect Swivel for 1/2" Tubing.....	<b>\$13.00</b>
PN <b>5083</b> Replacement Quick-Disconnect Swivel for 5/8" Tubing.....	<b>\$16.00</b>
PN <b>5168</b> Replacement Lever & Spool Valve Assembly.....	<b>\$23.00</b>

PAGE **80** ILLUSTRATED  
Parts Breakdown

### Short Vacuum Valves

Used w/ Vacuum Holder

PN <b>5080</b> Single Valve w/ Quick-Disconnect.....	<b>\$46.00</b>
PN <b>5082</b> Replacement Quick-Disconnect Swivel for 1/2" Tubing.....	<b>\$13.00</b>
PN <b>5083</b> Replacement Quick-Disconnect Swivel for 5/8" Tubing.....	<b>\$16.00</b>
PN <b>5168</b> Replacement Lever & Spool Valve Assembly.....	<b>\$23.00</b>



5080

### Saliva Ejectors

Used w/ Standard Holder

PN <b>5088</b> Single Valve w/ Quick-Disconnect w/ Threaded Tip.....	<b>\$56.00</b>
PN <b>5090</b> Single Valve w/ Quick-Disconnect w/ Push on Tip.....	<b>\$42.00</b>
PN <b>5092</b> Replacement Quick-Disconnect Swivel for 3/16" Tubing.....	<b>\$11.00</b>
PN <b>5169</b> Replacement Lever & Spool Valve Assembly.....	<b>\$21.00</b>



5088

SEE PAGE 71  
FOR MORE  
DETAILS



5742

## Economy Autoclavable Valves

PAGE **80** ILLUSTRATED Parts Breakdown



5150

- Anodized aluminum body
- Quick disconnect - 360° swivel
- Smooth plastic lever action
- Includes brush for cleaning

### Extended Vacuum Valves

Used w/ Standard Holder

PN <b>5150</b>	Single Valve w/ Quick-Disconnect .....	<b>\$37.00</b>
PN <b>5082</b>	Replacement Quick-Disconnect Swivel for 1/2" Tubing .....	<b>\$13.00</b>
PN <b>5083</b>	Replacement Quick-Disconnect Swivel for 5/8" Tubing .....	<b>\$16.00</b>
PN <b>5171</b>	Replacement Lever .....	<b>\$6.00</b>



5148

### Short Vacuum Valves

Used w/ Vacuum Holder

PN <b>5148</b>	Single Valve w/ Quick-Disconnect .....	<b>\$37.00</b>
PN <b>5082</b>	Replacement Quick-Disconnect Swivel for 1/2" Tubing .....	<b>\$13.00</b>
PN <b>5083</b>	Replacement Quick-Disconnect Swivel for 5/8" Tubing .....	<b>\$16.00</b>
PN <b>5171</b>	Replacement Lever .....	<b>\$6.00</b>



5650

### Saliva Ejectors

Used w/ Standard Holder

PN <b>5650</b>	Single Valve w/ Quick-Disconnect, w/ Threaded Tip .....	<b>\$37.00</b>
PN <b>5660</b>	Single Valve w/ Quick-Disconnect w/ Push on Tip .....	<b>\$29.00</b>
PN <b>5092</b>	Replacement Quick-Disconnect for 3/16" Tubing .....	<b>\$11.00</b>
PN <b>5670</b>	Replacement Lever .....	<b>\$5.00</b>

SEE PAGE 71  
FOR MORE  
DETAILS



5742



5655

## Autoclavable Saliva Ejector w/ Anti-Suck Back

PN <b>5655</b>	Autoclavable Premium Saliva Ejector Valve w/ Anti-Suck Back .....	<b>\$60.00</b>
PN <b>5664</b>	Autoclavable Standard Saliva Ejector Valve w/ Anti-Suck Back .....	<b>\$54.00</b>
PN <b>5184</b>	Replacement Premium Quick-Disconnect Swivel w/ Check Valve for 3/16" Tubing .....	<b>\$30.00</b>
PN <b>5185</b>	Replacement Standard Quick-Disconnect Swivel w/ Check Valve for 3/16" Tubing .....	<b>\$29.00</b>



## Replacement A-dec® Style Vacuum Valves



PN <b>5061</b>	Autoclavable Extended Vacuum Valve.....	<b>\$70.00</b>
PN <b>5060</b>	Autoclavable Short Vacuum Valve.....	<b>\$64.00</b>
PN <b>5062</b>	Autoclavable Saliva Ejector.....	<b>\$64.00</b>

PAGE **79** ILLUSTRATED Parts Breakdown

## Precision Comfort® Conversion Q.D. Swivels



PN <b>5220</b>	A-dec® HVE Q.D. Swivel.....	<b>\$20.60</b>
----------------	-----------------------------	----------------



PN <b>5111</b>	Pelton & Crane HVE Q.D. Swivel.....	<b>\$20.60</b>
----------------	-------------------------------------	----------------



PN <b>5680</b>	Cattani HVE Q.D. Swivel 26mm Swivel, 18mm Barb.....	<b>\$24.70</b>
----------------	--	----------------



PN <b>5681</b>	Cattani SE Q.D. Swivel 20mm Swivel, 11mm Barb.....	<b>\$20.60</b>
----------------	---	----------------



PN <b>5684</b>	Durr HVE Q.D. Swivel 28mm Swivel, 22mm Barb.....	<b>\$24.70</b>
----------------	---	----------------

PN <b>5183</b>	Siemens HVE Q.D. Swivel 19mm Swivel, 15mm Barb.....	<b>\$24.70</b>
----------------	--	----------------

- Precision Comfort® Q.D. Swivels allow proper fit in other equipment manufacturers' holders & tubing

*These parts are manufactured by DCI to fit A-dec® equipment. DCI has no affiliation with A-dec Inc. DCI replacement parts are not manufactured under license or supervision of A-dec®.*

FEATURED

## DIRECT REPLACEMENT FOR PELTON & CRANE TIP-A-DILLY

### Evacu-Tips

<b>PN 5765</b>	Evacu-Tip Adapter (P&C 006393).....	<b>\$60.00</b>
<b>PN 5767</b>	Evacu-Tip Straws, (carton of 6 boxes, 1,200 straws).....	<b>\$46.00</b>



5765

- Metal oral evacuator adapter is compatible with most HVE valves
- Fingertip adjustable vacuum with side vents
- Accommodates disposable straws
- Autoclavable
- Straws are compatible with Pelton & Crane Tip-a-dilly



### Vacuum Termination Plug

<b>PN 5179</b>	Vacuum Termination Plug.....	<b>\$12.00</b>
----------------	------------------------------	----------------

- Autoclavable
- Anodized aluminum
- Fits in standard instrument hanger



### TECH TIP: Extend the life of your vacuum valves!

#### AFTER EACH PATIENT:

Draw clean water through the valve. Work the valve open and closed several times to free any debris.

#### AT THE END OF EACH DAY:

Use a stiff brush and mild detergent to clean internal surface. For valves with threaded tips, remove the tip and clean the threads.

*When operating the valve becomes difficult, remove the spool, inspect and clean all parts including O-Rings. Reapply O-Ring lube DCI #8031 and reassemble.*





**NEW**  
Convenient  
5 Package  
Size



5754



5742

### Saliva Ejector Tips

PN <b>5754</b>	Push-on Autoclavable, Gray.....	<b>\$2.90</b>
PN <b>5750</b>	Push-on Autoclavable, Black.....	<b>\$2.90</b>
PN <b>5757</b>	Push-on Autoclavable, 5 pack, Gray.....	<b>\$14.00</b>
PN <b>5758</b>	Push-on Autoclavable, 5 pack, Black.....	<b>\$14.00</b>
PN <b>5742</b>	Screw-on Autoclavable Tip, Gray.....	<b>\$21.20</b>
PN <b>5740</b>	Screw-on Autoclavable Tip, Black.....	<b>\$21.20</b>

- Push-on or screw-on
- Tips are autoclavable
- Latex-free



### Saliva Tip Adapter

PN <b>5752</b>	Saliva Ejector Adapter.....	<b>\$10.30</b>
----------------	-----------------------------	----------------

- Adapts to HVE valve
- Not autoclavable



### Saliva Ejector Tip

PN <b>5720</b>	Saliva Ejector Assembly.....	<b>\$11.90</b>
----------------	------------------------------	----------------

- Push-on autoclavable tip
- Without valve
- Removable clean out basket



### Tubing Adapter

PN <b>5745</b>	Tubing Adapter.....	<b>\$8.80</b>
----------------	---------------------	---------------

- 1/2" I.D. tube x 3/8" O.D. barb
- Connects 3/8" I.D. vacuum tubing to the spare HVE port on vacuum canisters



### Saliva Ejector Adapter

PN <b>5751</b>	Tubing Adapter.....	<b>\$5.20</b>
----------------	---------------------	---------------

- 7/16" O.D. x 7/32" barb
- Inserts into vacuum canister port or HVE valve



## Autoclavable Dry Oral Cup

PN **5840** Dry Oral Cup..... **\$11.40**

- Used w/ central vacuum valves
- White autoclavable plastic
- 4" diameter x 4 1/2" high



## Dry Oral Cup Liners

PN **5845** Liners (pkg of 1000)..... **\$170.00**

- For use w/ 5840
- Pre-cut
- 6 oz.



5755



5756

## Saliva Ejector Baskets

PN **5755** Disposable Basket, Plastic (pkg of 10)..... **\$6.10**

PN **5756** Metal Basket, Metal..... **\$9.00**



5620



5621

## Valve Cleaning Brush

PN **5620** HVE Brush (3 3/4" bristles) (pkg of 5)..... **\$10.00**

PN **5621** SE Brush (3" bristles) (pkg of 5)..... **\$11.00**

PN **5623** Medium Brush (pkg of 5)..... **\$20.00**

PN **5622** Surgical Suction Tip Brush (pkg of 5)..... **\$20.00**

- Package of 5



## Vacuum Canister, Bottom & Side Mount



PN <b>5872</b>	Side Port.....	<b>\$34.00</b>
PN <b>5873</b>	Bottom Ported.....	<b>\$34.00</b>
PN <b>5888</b>	Replacement Cap (w/ O-Ring).....	<b>\$7.50</b>
PN <b>2240</b>	O-Ring Seal for Cap (pkg of 12).....	<b>\$3.90</b>
PN <b>5877</b>	Mounting Bracket (for wall or counter-mount).....	<b>\$16.50</b>

- Available in either side or bottom port
- Solids collector w/ removable screen
- Accepts 2 HVE & 1 SE
- Uses 2 1/8" screens 5817, 5889, 5887
- Mounts using four 6-32 screws on bottom surface (included)
- 5872 & 5873 include mounting bracket 5877
- 5/8" O.D. Drain

## Vacuum Canister, Bracket Mounted



<u>GRAY</u>	<u>BLACK</u>	
-------------	--------------	--

<b>5860</b>	<b>5810</b>	Kit, Includes Vacuum Canister & Both Brackets.....	<b>\$30.00</b>
<b>5866</b>	<b>5831</b>	Replacement Cap (w/ O-Ring).....	<b>\$6.40</b>
<b>5865</b>	<b>5812</b>	Bracket, Vertical-Mount.....	<b>\$3.50</b>
<b>5864</b>	<b>5813</b>	Bracket, Horizontal-Mount.....	<b>\$3.50</b>

PN <b>2221</b>	O-Ring Seal for Cap (pkg of 12).....	<b>\$3.90</b>
PN <b>5811</b>	1/2" Plug for HVE Port.....	<b>\$1.70</b>
PN <b>5821</b>	Plug for Saliva Ejector Port.....	<b>\$2.30</b>
PN <b>5814</b>	5/8" O.D. Drain Adapter (pkg of 10).....	<b>\$7.40</b>

- Used w/ central vacuum system
- Solids collector w/ removable screen
- Accepts 2 HVE & 1 SE
- Hydrocolloid drain provision
- 1/2" O.D. drain
- Uses 1 7/8" screens 5818, 5820, 5832

## Vacuum Canister Post Brackets



PN <b>5825</b>	Gray Bracket, Anodized.....	<b>\$64.00</b>
PN <b>5827</b>	Gray Bracket, White.....	<b>\$64.00</b>

- For mounting vacuum canisters 5810 & 5860 on a 2" O.D. post
- Anodized or white powder coat

NEW ITEM



## Screens to fit A-dec® Solids Collectors

PN **5512** Screen, Disposable  
(A-dec® #11.1284.00) (pkg of 144)..... **\$49.45**

- Fits A-dec® 300/500

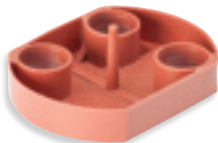


## Screens to fit A-dec® Solids Collectors

PN **6818** Screen, Disposable  
(A-dec® #11.1191.00) (pkg of 144)..... **\$50.00**

- Fits A-dec® Cascade & Performer

Lower price!



## Solids Collector Screens

PN **6821** Pelton & Crane® Spirit Disposable Screen (pkg of 144)  
(P&C #9431388)..... **\$50.00**

Lower price!



5820

## Solids Collector Screens

PN **5820** Covered Screen, 1 7/8"..... **\$.70**  
 PN **5832** Covered Screen, 1 7/8" (pkg of 100)..... **\$45.50**  
 PN **5889** Covered Screen, 2 1/8"..... **\$.70**  
 PN **5887** Covered Screen, 2 1/8" (pkg of 100)..... **\$45.50**

- Covered disposable vacuum trap
- Available in 1 7/8" & 2 1/8"

Lower price!



## Solids Collector Screens

PN **5818** Screen, Disposable (pkg of 100)..... **\$34.00**

- 1 7/8" diameter
- Disposable (pkg of 100)
- For use w/ 5810 & 5860 Vacuum canister

Lower price!



## Solids Collector Screens

PN **5817** Screen, Disposable, 2 1/8" (pkg of 100)..... **\$34.00**

- 2 1/8" diameter
- Disposable screen (pkg of 100)
- For use w/ 5872 & 5873 Vacuum canister

Lower price!



5823

## Solids Collector Screens

PN 5823	Collector Screen.....	<b>\$.90</b>
PN 5822	Collector Screen (pkg of 100).....	<b>\$34.00</b>

- For use w/ DCI system 6000 & Reality units



## Cuspidor Screens

PN 5314	White Cuspidor Screen, 1 5/8" (pkg of 144).....	<b>\$50.00</b>
---------	---	----------------

- Fits Marus Maxstar
- Fits A-dec® Cascade & Performer



## Cuspidor Screens

PN 5313	Gray Cuspidor Screen, 2 1/2" (pkg of 144).....	<b>\$50.00</b>
---------	--	----------------

- Fits A-dec®, Ampco, Belmont, Dabi-Atlante, Dansereau, DCI, DentalEZ, Forest, Knight, Marus Pro Plus & MDT



5311

## Cuspidor Bowls

PN 5310	Cuspidor Bowl w/ Bowl Screen.....	<b>\$96.50</b>
PN 5311	Cuspidor Bowl Only.....	<b>\$91.50</b>
PN 5312	Cuspidor Screen.....	<b>\$5.00</b>



5312

- Fits most manufacturer's cuspidor bowls
- Includes 2 O-Rings (2246)
- Bowl 8" O.D. x 6 3/4" I.D.
- Stem 2 1/2" O.D. x 1 1/2" I.D.



5101



5102

## Stainless Steel Sink Drain Screens

PN 5101	4 3/8" Diameter Screen.....	<b>\$8.20</b>
PN 5102	2 3/4" Diameter Screen.....	<b>\$7.50</b>

- Autoclavable
- Prevents solid materials from clogging drains
- Available in two sizes to fit most standard sinks
- Stainless steel construction



5835

## Vacuum System Cleaner

PN <b>5835</b>	Eco Vac 1-Pint Bottle.....	<b>\$15.50</b>
PN <b>5837</b>	Eco Vac 1/2 Gallon Bottle.....	<b>\$51.50</b>
PN <b>5836</b>	Eco Vac Case of 12 1-Pint Bottles.....	<b>\$170.00</b>

- Continuous cleaning action
- Environmentally safe
- Contains NO hazardous materials
- Non-Toxic, non-pathogenic
- Non-corrosive liquid; safe to handle & store
- Easy to use, measured 1 pint dispenser holds 32 applications
- 1/2 gallon dispenser holds 128 applications

Eco Vac cleans vacuum systems and eliminates odors associated with organic waste by biologically degrading the waste into natural elements. Cleans and deodorizes without foaming or use of harsh chemicals. Eco Vac utilizes safe non-pathogenic, non-opportunistic, Class 1 bacteria.

One half ounce of Eco Vac mixed with one quart of warm water, drawn through the vacuum lines daily in each operatory, establishes a continuous biological action.



5851

## Vacuum Drain Assembly Kit

PN <b>5851</b>	Cuspidor Drain Kit.....	<b>\$215.00</b>
PN <b>5853</b>	Wash Station Drain Kit.....	<b>\$235.00</b>
PN <b>9614</b>	Bowl Gasket.....	<b>\$2.00</b>
PN <b>9615*</b>	Diaphragm, 4 Holes, 3".....	<b>\$7.00</b>
PN <b>9616*</b>	Filter, 1 1/4" Long x 1".....	<b>\$5.00</b>
PN <b>9617*</b>	Bowl, 1 3/8" Long x 1 3/8" Diaphragm.....	<b>\$13.50</b>
PN <b>9632</b>	Diaphragm, No Holes, 2 9/16" Diaphragm.....	<b>\$9.00</b>
PN <b>9633</b>	Bowl, 2 5/8" Long x 1 3/8".....	<b>\$13.50</b>
PN <b>9634</b>	Filter, 2 1/2" Long x 1".....	<b>\$6.30</b>

- Select kit for either a cuspidor or a sink drain
- Eliminates the need for conventional plumbing
- Allows installation where a gravity drain is not available or practical
- Includes flush toggle to allow remote activation

*\* Repair items for valves purchased prior to 1997*





## Holder Activated AVS System

PN **5586** Holder Activated AVS System..... **\$370.00**

- Air powered oral evacuation
- Requires 50 PSI minimum air pressure
- 1 quart plastic collection bottle
- Mounts to underside of dental unit or cabinet
- Precision Comfort Extended HVE 5112
- 6' of Smooth Vacuum Tubing 733
- Activated by holder & air switch

PN **5582** 1 Quart Replacement Bottle..... **\$30.00**

- 1 quart plastic collection bottle



## Foot Control Activated AVS System

PN **5585** Foot Control Activated AVS System..... **\$370.00**

- Air powered oral evacuation
- Requires 50 PSI minimum air pressure
- 1 quart plastic collection bottle
- Mounts to under counter or on the wall (hardware included)
- Air connection uses 1/4" O.D. supply tubing
- Precision Comfort Extended HVE 5112
- 6' of Smooth Vacuum Tubing 733
- Requires Scaler Button Style FC to operate (not included)

PN **5582** 1 Quart Replacement Bottle..... **\$30.00**

- 1 quart plastic collection bottle

NEW ITEM



5256

## Water & Air Saliva Ejector Parts

### Water Saliva Ejector

PN **5256** Water Saliva Ejector Kit (Includes Jet Assembly, Drain "Y", Tip, & Toggle Valve)..... **\$154.50**

PN **5261** Body Assembly w/ Jet..... **\$100.00**

PN **5267** Drain "Y"..... **\$25.00**



5255

### Air Saliva Ejector

PN **5255** Air Saliva Ejector Kit (Includes Jet Assembly, Drain "Y", Tip, & Toggle Valve)..... **\$154.50**

PN **5262** Body Assembly w/ Jet..... **\$100.00**

PN **5267** Drain "Y"..... **\$25.00**

- Connects to standard 5/8" I.D. drain
- Uses standard 1/4" O.D. supply tubing

## Vacuum Valve Parts

PN 2243	O-Ring (pkg of 12)	\$8.20
PN 2253	O-Ring (pkg of 12)	\$8.20
PN 2254	O-Ring (pkg of 12)	\$8.20
PN 2256	O-Ring (pkg of 12)	\$8.20
PN 2257	O-Ring (pkg of 12)	\$8.20
PN 2309	O-Ring (pkg of 12)	\$8.20
PN 5063	Bail/Spool w/ O-Rings, A-dec® Style HVE	\$20.60
PN 5064	Swivel w/ O-Ring, A-dec® Style HVE	\$16.50
PN 5065	Bail/Spool w/ O-Rings, A-dec® Style SE	\$20.60
PN 5066	Swivel w/ O-Ring, A-dec® Style SE	\$14.50
PN 5067	Repair Kit, A-dec® Style HVE	\$13.50
PN 5068	Repair Kit, A-dec® Style SE	\$12.00
PN 5107	Premium Anodized Swivel for 1/2" Tubing	\$13.00
PN 5217	Premium Anodized Swivel for 3/16" Tubing	\$11.00
PN 5108	Premium Anodized HVE Lever & Spool Valve Assembly	\$20.00
PN 5218	Premium Anodized SE Lever & Spool Valve Assembly	\$20.00
PN 5165	Precision Comfort® HVE O-Ring Repair Kit	\$13.00
PN 5166	Precision Comfort® SE O-Ring Repair Kit	\$12.00

## Vacuum Instrument Parts

PN 1020	Valve Extension, HVE	\$15.50	PN 5754	Saliva Ejector Tip Gray	\$2.90
PN 2206	O-Ring (pkg of 12)	\$2.90	PN 5755	Strainer Basket (pkg of 10)	\$6.10
PN 2207	O-Ring (pkg of 12)	\$2.90			
PN 2208	O-Ring (pkg of 12)	\$4.00			
PN 2209	O-Ring (pkg of 12)	\$5.50			
PN 2243	O-Ring (pkg of 12)	\$8.20			
PN 2253	O-Ring (pkg of 12)	\$8.20			
PN 2254	O-Ring (pkg of 12)	\$8.20			
PN 2256	O-Ring (pkg of 12)	\$8.20			
PN 2257	O-Ring (pkg of 12)	\$8.20			
PN 5082	Anodized Swivel w/ O-Ring	\$13.00			
PN 5092	Anodized Swivel w/ O-Ring	\$11.00			
PN 5168	Lever & Spool Valve Assembly	\$23.00			
PN 5169	Lever & Spool Valve Assembly	\$21.00			
PN 5171	Replacement HVE Lever	\$6.00			
PN 5172	Valve Spool w/ O-Rings	\$7.30			
PN 5670	Replacement SE Lever	\$5.00			
PN 5672	Valve Spool w/ O-Rings	\$7.00			
PN 5742	Saliva Ejector Tip, Screw-On (gray)	\$21.20			
PN 5750	Saliva Ejector Tip (black)	\$2.90			

### Anodized Vacuum Instrument Repair Kits

*Repair Kits include items designated by an asterisk.*

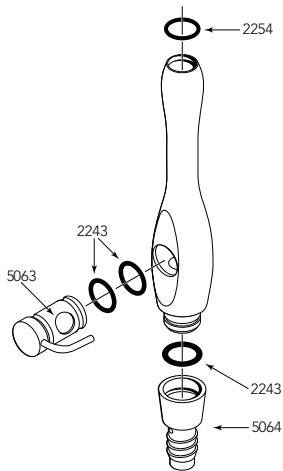
PN 5084	Premium & Standard Repair Kit, Autoclavable HVE 5070	\$2.60
PN 5093	Premium & Standard Repair Kit, Autoclavable SE 5090	\$4.90
PN 5145	Repair Kit, Autoclavable HVE 5150	\$9.80
PN 5645	Repair Kit, Autoclavable SE 5660	\$9.10

*These parts are manufactured by DCI to fit A-dec® equipment. DCI has no affiliation with A-dec Inc. DCI replacement parts are not manufactured under license or supervision of A-dec®.*

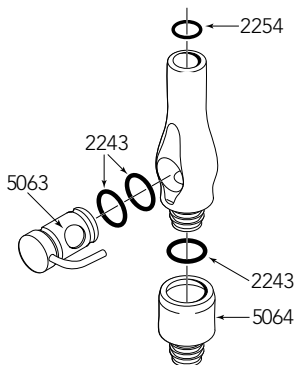




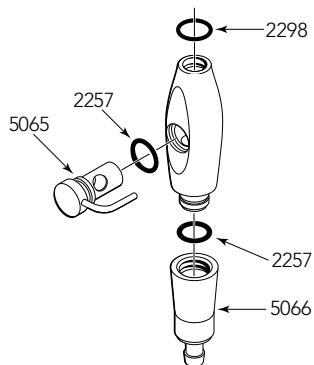
5061



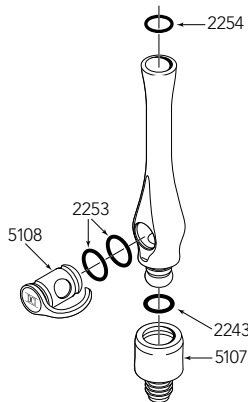
5060



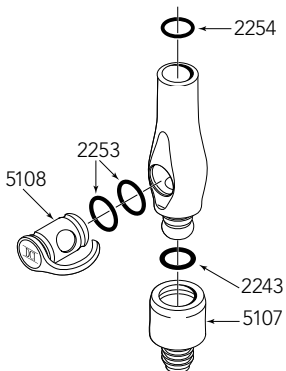
5062



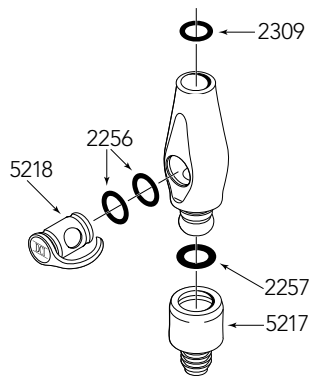
5112



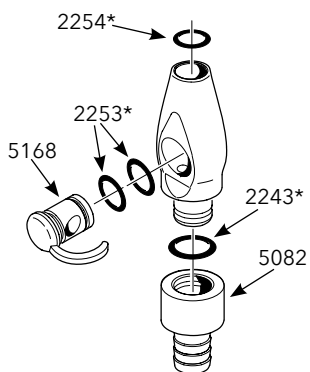
5131



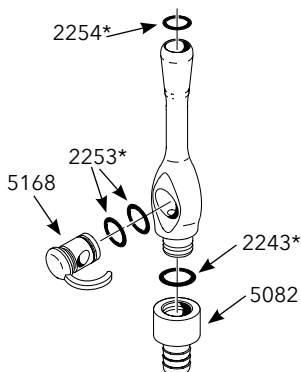
5222



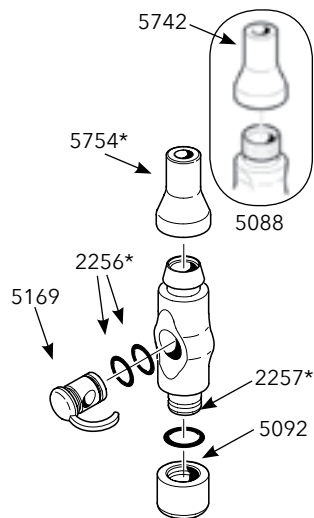
## 5080



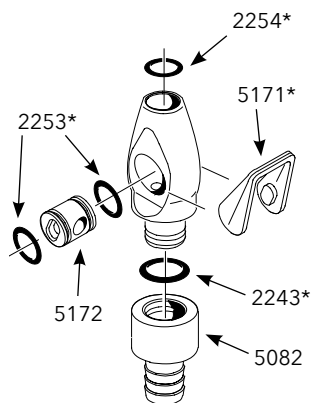
## 5070



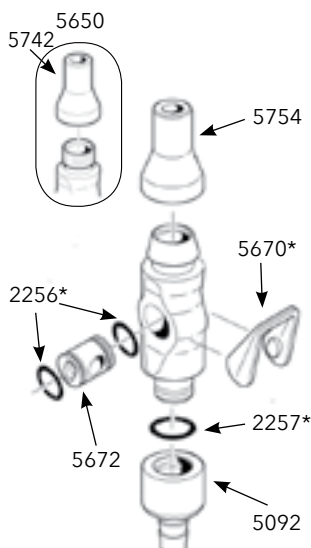
## 5090



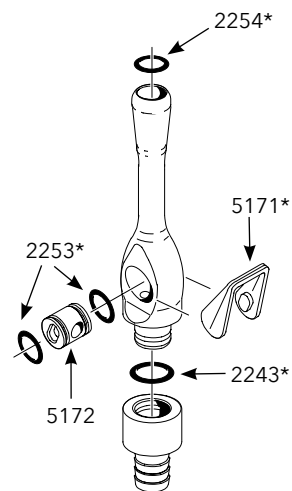
## 5148



## 5660



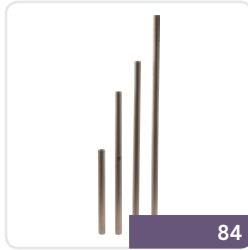
## 5150



# Mounts, Arms & Holders



83  
Chair Adapters  
& Posts



84  
Posts



85  
Flex Arms



86  
Carts



87  
Trays



88 - 89  
1/2" Pin Mounts



90 - 92  
Flat Panel Monitor  
Mounts, Trays



93 - 94  
Holders



## TECH TIP

### Which one do you need?



#### Normally Open (N/O) Handpiece Holder

When handpiece is picked up, the pressure builds.  
Used on: Prisma Units.



#### Normally Closed (N/C) Automatic Handpiece Holder

When handpiece is picked up, the pressure relieves. Used on: DCI & most other manufacturers.

*DCI refers to the "Normal" position as the holder with no handpiece or instrument in it.*



## Chair Adapters to fit:



PN **8522** A-dec® Cascade 1040..... **\$309.00**

PN **8515** A-dec® Priority 1005 & 1010..... **\$309.00**

NEW ITEMS



PN **8500** A-dec® Decade 1020, 1021 and 1015..... **\$309.00**



PN **8538** A-dec® 500..... **\$309.00**



PN **8493\*** Belmont Bel 07-50 Celib-Pro-Xcal, Westar 2001, Westar 5000, LSM DC-100, LSM C0H0..... **\$309.00**



PN **8917** Belmont Acutrac..... **\$309.00**



PN **8552** DentalEZ E3000..... **\$309.00**



PN **8919** DentalEZ Advantage E2000..... **\$309.00**



PN **8506** DentalEZ J..... **\$309.00**

*Chair adapters feature a light gray powder coat finish.*

*\*White scratch resistant powder coat finish*



## Chair Adapters to fit:



PN **8561** Marus® Pro 1300-1600, DCI Equipment..... **\$309.00**



PN **8497** Royal..... **\$309.00**



PN **8918** Pelton & Crane® Spirit 1500, 1800, 2005, 3300  
Marus® / Schein Empire..... **\$309.00**



PN **8568** Pelton & Crane® Coachman..... **\$309.00**



PN **8488** 2" Hub..... **\$221.50**



PN **8438** 8" Floor mount for 2" post..... **\$257.50**

*Chair adapters feature a light gray powder coat finish.*

## Light Post Accessories



PN **8470** Pelton & Crane® Light Bushing..... **\$24.00**

PN **8471** Ritter Light Bushing..... **\$24.00**

PN **8476** Crush Bushing for Base of Post..... **\$24.00**

PN **8472** Power Cord (8')..... **\$20.00**

PN **8474** 2" White Post Cap..... **\$28.00**

PN **8408** 2" Gray Post Cap..... **\$28.00**

PN **8475** 2" Stainless Post Cap..... **\$28.00**



- Nylon Bushing fits 2" Posts
- **8470:** 1 7/8" O.D. x 1 11/16" I.D. for P&C, A-dec®, Marus®, Belmont, Knight L lights
- **8471:** 1 7/8" O.D. x 1 3/8" I.D. for Ritter K, Dental EZ, Proma, Daray, Faro, Forest lights

FEATURED



8431

### Light Post Extensions

WHITE	GRAY	METAL	LENGTH	
8921	8969	8431	24" Post w/ P&C Bushing	\$180.00
8922	8972	8432	24" Post w/ Ritter Bushing	\$180.00
8463	8986		30" Post w/ P&C Bushing	\$185.00
8464	8987		30" Post w/ Ritter Bushing	\$185.00
8466	8409	8465	Butterfly Clamp For 2" Post	\$78.00

- Kit includes light post bushing, "Butterfly" clamp, 8' extension cord & post
- 24" or 30" post length
- Scratch resistant powder coat finish

### Light Posts



WHITE	GRAY	METAL	LENGTH	
8912	8939	8478	24" Post	\$136.00
8421	8940	8218	30" Post	\$145.00
8913	8945	8454	40" Post	\$190.00
8449	8949	8453	48" Post	\$210.00
8914	8952	8450	60" Post	\$219.00
8474	8408	8475	Post Cap	\$28.00

PN 8476	Crush Bushing for Base of Post	\$24.00
PN 8470	P&C Bushing	\$24.00
PN 8471	Ritter Bushing	\$24.00
PN 8472	Power Cord (8')	\$20.00

- 2" Diameter posts
- Post painted w/ a scratch resistant powder coat finish



#### TECH TIP

Always use a crush bushing when using a post in a chair adapter. This will prevent damage from set screws.



Download DCI's App

### Post Mount Flexible Arms



Thru Post Mount 8733 (standard configuration)



8923

Shown w/ optional top post mount adapter 8923



WHITE	GRAY		
<b>8733</b>	<b>8735</b>	50" Horizontal Reach.....	<b>\$800.00</b>
<b>8734</b>	<b>8736</b>	34" Horizontal Reach.....	<b>\$800.00</b>
<b>8923</b>	<b>8956</b>	Top Post Mount Adapter 1.5" O.D.....	<b>\$154.50</b>

- Flexible counterbalanced arm w/ pneumatic brake
- 50" Over-the-Patient Style
- 34" Side Delivery Style
- Built in tension adjustment mechanism - NO TOOLS REQUIRED
- Vertical travel is 23"
- Rigid arm is 26" on the 50" arm, & 11" on the 34" arm
- Mounts on 2" diameter post or wall-mount brackets 8647 & 8349
- Easy conversion from thru post to top post mount

### Post w/ Oilite Bushing for Top Post Mount



4764

WHITE	GRAY		
<b>4762</b>	<b>4764</b>	22" for Top Post Mount.....	<b>\$190.00</b>
<b>4763</b>	<b>4765</b>	30" for Top Post Mount.....	<b>\$196.00</b>

- Fits DCI top post mount arms with adapter
- 1.5" Inner diameter



### 2" Post Wall Mount

WHITE	GRAY		
<b>8647</b>	<b>8349</b>	Wall-Mount for Arm Systems.....	<b>\$160.00</b>

- 6" x 6" mounting plate
- For use w/ current DCI flex arms
- Supports 60 lbs at 24" reach, when properly installed



### Wall Mounting Board

PN <b>4222</b>	Wall Mounting Board.....	<b>\$309.00</b>
----------------	--------------------------	-----------------

- White Laminate w/ Gray Edge Banding
- Mount on 16" Wall Studs
- Mounting Hardware Included



### H-Style Mobile Stand

PN **8001** Mobile Cart H-Frame..... **\$370.00**

- Stable "H" frame base
- Adjustable vertical height from 25" to 41"
- Satin chrome finish
- 2" diameter post w/ 3" x 3" mounting plate
- Twin wheel casters roll freely on carpet or hard flooring
- 20" W x 18" D



### U-Style Mobile Stand

PN **8006** Mobile Cart U-Frame..... **\$370.00**

- Adjustable vertical height of 23" to 32"
- 15° angled upright
- Satin chrome finish
- 2" diameter w/ 3" x 3" mounting plate
- Twin wheel casters roll freely on carpet or hard flooring
- 18" W x 18" D

NEW ITEMS



### Cart & Stool Casters

PN **2946** Soft wheel for hard floor caster, Gray..... **\$8.00**  
 PN **2972** Soft wheel for hard floor caster, Gray, (pkg of 5)..... **\$40.00**  
 PN **2948** Soft wheel for hard floor caster, Surf..... **\$8.00**  
 PN **2973** Soft wheel for hard floor caster, Surf (pkg of 5)..... **\$40.00**  
 PN **8010** Hard wheel for carpet, Gray..... **\$12.40**  
 PN **8002** Cart Caster Insert..... **\$8.00**

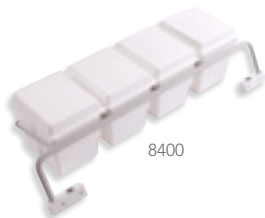
- Smooth rolling, dual wheel
- Caster 2" diameter, pin 7/16" diameter x 1" long
- Non-marking



### Cart Frame End Cap

PN **9224** Cart Frame End Cap..... **\$3.70**

- Designed for all carts
- Gray
- Semi-hemispherical shape



### Storage Well w/ Organizers

PN **8400** Well w/ Organizers..... **\$270.00**  
 PN **8410** Storage Tub (Includes Hinge, Dividers & Lid)..... **\$32.00**  
 PN **8411** Full Divider..... **\$4.50**  
 PN **8413** Replacement Hinge..... **\$2.50**  
 PN **8414** Lid..... **\$7.30**

- Mounting surface is 4" x 22"





### Flex Arm Mounted Trays



WHITE	GRAY
<b>8398</b>	<b>8430</b>
<b>8046</b>	<b>8047</b>
<b>8051</b>	<b>8052</b>

For Use w/ Current DCI Flex Arms.....	<b>\$210.00</b>
16" Holder Bar U-Shaped.....	<b>\$60.90</b>
Bar Holders Each.....	<b>\$26.30</b>

- For use w/ flexible arm systems
- 1/2" holder bar
- Stainless steel tray holder  
9 3/4" x 13 1/2"

### Folding Rigid Arm Mounted Tray



WHITE	GRAY
<b>8397</b>	<b>8429</b>

Arm Mounted Tray.....	<b>\$220.50</b>
-----------------------	-----------------

- Mounts to folding rigid arms using 1/2" pin
- Stainless steel tray holder  
9 3/4" x 13 1/2"

### Trays



8013



8012

PN <b>8013</b> Stainless Steel Tray (B Size).....	<b>\$39.90</b>
PN <b>8012</b> Plastic Tray (A Size).....	<b>\$18.00</b>
PN <b>8222</b> Non Skid Pad.....	<b>\$10.50</b>

- Stainless steel tray
- Plastic tray

### Bracket for Mounting Instruments to Alternative Control Heads



4272

4274

4273

PN <b>4272</b> Bracket for 4370 / 4270.....	<b>\$60.00</b>
PN <b>4274</b> Bracket for 4120 / 4121 / 4020.....	<b>\$70.00</b>
PN <b>4273</b> Instrument Tray Holder (Mounts to 4272 & 4274).....	<b>\$70.00</b>
PN <b>4276</b> Under Counter Unit Mount.....	<b>\$70.00</b>

- For mounting tray 4273 & control head to control arm
- White powder coat
- Retrofits to earlier models  
4270 & 4020

FEATURED



## Surface Mount Brackets

WHITE	GRAY		
<b>8378</b>	<b>8308</b>	Vertical Mount.....	<b>\$58.80</b>
<b>8379</b>	<b>8309</b>	Horizontal Mount.....	<b>\$58.80</b>
<b>4289</b>	<b>4291</b>	Under Counter Mount.....	<b>\$65.00</b>

- For mounting folding & telescoping arms to flat vertical or horizontal surfaces
- Mounting plate 4" x 4"
- Accepts 1/2" O.D. pin



## Post Mount Brackets

WHITE	GRAY		
<b>8259</b>	<b>8253</b>	2" Post Mount.....	<b>\$70.00</b>

- For mounting folding & telescoping arm assemblies to 2" diameter post
- Accepts 1/2" O.D. pin



## Reducing Bushings

PN <b>8618</b>	Reducing Bushing From 2" to 1.7" (pkg of 2).....	<b>\$19.50</b>
PN <b>8617</b>	Reducing Bushing From 2" to 1 1/2" (pkg of 2).....	<b>\$19.50</b>
PN <b>9631</b>	1/16" Nyliner to expand to a 2" post.....	<b>\$19.50</b>



## Clamp On Water System & Accessory Adapters

PN <b>8137</b>	2" Anodized Post Adapter.....	<b>\$64.00</b>
PN <b>8162</b>	2" White Post Adapter.....	<b>\$64.00</b>
PN <b>8255</b>	2 3/8" White Post Adapter.....	<b>\$70.00</b>

- Adapts water systems or accessories to posts



## Vacuum Canister Post Brackets

PN <b>5825</b>	Gray Bracket, Anodized.....	<b>\$64.00</b>
PN <b>5827</b>	Gray Bracket, White.....	<b>\$64.00</b>

- For mounting vacuum canisters 5810 & 5860 on a 2" O.D. post





### Folding Rigid Arm Sections

WHITE	GRAY	ANODIZED
<b>8337</b>	<b>8303</b>	
<b>8338</b>	<b>8304</b>	
<b>8356</b>	<b>8306</b>	<b>8230</b>
<b>8357</b>	<b>8307</b>	<b>8231</b>

6" Arm.....	<b>\$62.00</b>
8" Dual Pivot Arm.....	<b>\$64.00</b>
12" Arm.....	<b>\$70.00</b>
16" Arm.....	<b>\$76.00</b>

- Mounts using 1/2" pin



### Top Post Mount Brackets

WHITE	GRAY
<b>8489</b>	<b>8294</b>

Top Post Mount ..... **\$136.50**

- For mounting folding & telescoping arm assemblies
- Accepts 1/2" O.D. pin
- White & gray scratch resistant powder coat finish
- Fits radius style & most vertical posts
- Fits 2" diameter post



### Control Mount Bracket

WHITE	GRAY
<b>8336</b>	<b>8634</b>

Mounting Bracket..... **\$104.00**

- Use w/ folding rigid arms
- Mounts using 1/2" pin
- For DCI Alternative & Series 4 Units or assistant's instrumentation packages 5432 & 5433

#### TECH TIP



**TRYING TO SOLVE  
A TOUGH TECHNICAL  
PROBLEM?**

Visit the DCI Service Forum at [www.dcionline.com](http://www.dcionline.com) or the DCI Video Library where you can collaborate with fellow technicians and find the answers to the most challenging dental repairs!

FEATURED



4820

## Flat Panel Monitor – Vertical Post Mounted

WHITE	GRAY		
4920	4820	Monitor Only.....	\$320.00
4955	4855	Monitor & Full Size Keyboard.....	\$595.00

- Utilizes 1/2" pin for use w/ folding rigid arms & mounts
- Fits either 75mm or 100mm VESA patterns
- Includes 2" vertical post mount
- Tilts up & down 30°
- Keyboard trays include 8" dual pivot arm
- Monitor & keyboard have quick adjustment knob
- Swivels left to right 55°



4824

## Flat Panel Monitor – Top Post Mounted

WHITE	GRAY		
4924	4824	Monitor Only.....	\$340.00

## Utility Shelf Assembly



8390

WHITE	GRAY		
8393	8390	2" Post or H-Frame Mount.....	\$174.00

- Pivots on mounting bracket for easy access
- Mounting bracket included
- Mounts using 1/2" pin
- 12" x 12" surface area



## Telescoping Breakaway Arm Systems

WHITE	GRAY	ANODIZED	
<b>8185</b>	<b>8729</b>	<b>8223</b>	Telescoping Arm w/ 3-Pos Holder..... <b>\$450.00</b>
<b>8186</b>	<b>8730</b>	<b>8237</b>	Telescoping Arm w/ 4-Pos Holder..... <b>\$475.00</b>

- 24" to 46 3/4" horizontal reach
- 7 1/2" rigid arm
- Designed for mounting assistant's accessories
- Includes post-mount
- Use w/ 2" post-mount or wall-mount
- Breakaway feature protects equipment



## 1/2" Pin Adapter & Vacuum Canister Mount for Telescoping Arm

WHITE	GRAY	
<b>8305</b>	<b>8407</b>	Adapter..... <b>\$40.00</b>



- Mounts on the end of telescoping arms
  - Accepts 1/2" O.D. pin
  - Slide over a 1/2" bar
  - Used to mount vacuum canisters
- |                |                            |                |
|----------------|----------------------------|----------------|
| PN <b>8244</b> | Vacuum Canister Mount..... | <b>\$40.00</b> |
|----------------|----------------------------|----------------|



## Horseshoe Assistant's Holder Bar

WHITE	GRAY	
<b>8241</b>	<b>8402</b>	Bar & Holders..... <b>\$240.00</b>

- Includes three holders
- 1/2" O.D. pin



## Assistant's Holder Bars for Telescoping Arm

PN <b>8632</b>	3-Position Holder, Holds SE & HVE by Base.....	<b>\$134.00</b>
PN <b>8242</b>	3-Position Holder, Holds SE & HVE by Tip.....	<b>\$134.00</b>
PN <b>8633</b>	4-Position Holder, Holds SE & HVE by Base.....	<b>\$136.00</b>
PN <b>8332</b>	4-Position Holder, Holds SE & HVE by Tip.....	<b>\$136.00</b>

- Mounts on end of 1/2" O.D. bar
- Holder for syringe & vacuum valves



## Assistant's Holders

PN <b>8333</b>	3-Position Holder, Holds HVE by Base.....	<b>\$65.00</b>
PN <b>8334</b>	3-Position Holder, Holds HVE by Tip.....	<b>\$65.00</b>
PN <b>8335</b>	4 -Position Holder, Holds 2 HVE's by Base.....	<b>\$84.00</b>
PN <b>8364</b>	4 -Position Holder, Holds 2 HVE's by Tip.....	<b>\$84.00</b>

- Mounts on 1/2" O.D. pin
- Mounting screw included
- 3- or 4-position holder for syringe & vacuum valves

FEATURED



## Swing Mount Holder Bar

PN <b>8343</b>	3-Position Holder.....	<b>\$150.00</b>
PN <b>8331</b>	4-Position Holder.....	<b>\$165.00</b>

- Mounts to vertical or horizontal surface
- 3- or 4-position holder for syringe & vacuum valves held by tip



## Under Counter Holder Bar

WHITE	GRAY		
<b>4445</b>	<b>4444</b>	Cabinet-Mount Holder Bar.....	<b>\$140.00</b>

- For use w/ molded asepsis holders
- Bar is 10 1/2" x 3 1/2"



## Holder Bars

GRAY	BLACK		
<b>5881</b>	<b>5951</b>	Holder Bar, Single 2".....	<b>\$14.50</b>
<b>5882</b>	<b>5952</b>	Holder Bar, Dual 4".....	<b>\$17.00</b>
<b>5883</b>	<b>5953</b>	Holder Bar, Triple 6".....	<b>\$19.00</b>
<b>5884</b>	<b>5954</b>	Holder Bar, Quad 8".....	<b>\$21.00</b>
<b>5880</b>	<b>5926</b>	Holder Bar, 10".....	<b>\$25.00</b>
<b>5885</b>	<b>5955</b>	Holder Bar, 14".....	<b>\$28.00</b>

- For use w/ 4592 & 5940 through 5970 holders
- Mounting hardware



## Holder Brackets

PN <b>5929</b>	Single Gray Plastic.....	<b>\$6.20</b>
PN <b>5930</b>	Single White Plastic.....	<b>\$6.20</b>
PN <b>5931</b>	Single Black Plastic.....	<b>\$6.20</b>
PN <b>5932</b>	2-Position Aluminum.....	<b>\$25.00</b>
PN <b>5933</b>	3-Position Aluminum.....	<b>\$30.00</b>
PN <b>5934</b>	4-Position Aluminum.....	<b>\$64.00</b>

- For use w/ 5900 - 5925 holders
- Mounting hardware



### Asepsis Holders

PAGE 96 ILLUSTRATED Parts Breakdown



**SOLID ALUMINUM FRAME WITH ASEPSIS MOLDED HOUSING**

WHITE	LT SAND	GRAY		
4561	5987	4869	Normally Closed.....	\$40.00
4564		4868	Normally Open.....	\$44.00

- Air operated actuator control
- Resists chemical discoloration
- Designed for 1/2" bar-mounting
- Adjustable tilt angle



WHITE	LT SAND	GRAY		
4566	5988	4568	Asepsis Standard Holder.....	\$30.00

- Used for handpieces, syringes, saliva ejectors
- Used w/vacuum valves w/ tip extension
- Resists chemical discoloration
- Designed for 1/2" bar-mounting
- Adjustable tilt angle

### Electric Auto Holders

PAGE 95 ILLUSTRATED Parts Breakdown



WHITE	BLACK	GRAY		
4562	5966	5967	Normally Open.....	\$50.00
4563	5968	5969	Normally Closed.....	\$50.00
		5976	HVE Normally Closed.....	\$55.00



- Holder assembly w/ low voltage switch for direct activation of electrical accessory
- On / off lockout toggle, 5966-5969
- 125 Volts AC / DC 5 amps

Visit the DCI Video Library for a demonstration on adjusting automatic holders.

### Automatic Handpiece Holder Valves

PAGE 96 ILLUSTRATED Parts Breakdown



PN 5947	Normally Open, Side Ported.....	\$10.90
PN 5948	Normally Closed, Side Ported.....	\$10.90
PN 5983	Normally Closed, Rear Ported.....	\$11.50
PN 5989	Normally Open, Rear Ported.....	\$11.50



- 5948 normally closed is used for 5940, 5960 & 4592 handpiece holders
- 5983 normally closed is used for 4561
- 5947 & 5989 are used for positive air signal

Visit the DCI Video Library for a demonstration on adjusting automatic holders.

## DCI Holders



### MACHINED ALUMINUM MOUNT WITH DURABLE PLASTIC HOLDER



5960

GRAY	BLACK		
<b>5960</b>	<b>5940</b>	HP Holder w/ Lockout Toggle.....	<b>\$40.00</b>
<b>4592</b>		HP Holder w/o Lockout Toggle.....	<b>\$40.00</b>

- Easy clean style
- Air operated actuator control
- Normally closed
- Designed for 1/2" bar-mounting w/ adjustable tilt angle



5965

GRAY	BLACK		
<b>5965</b>	<b>5945</b>	Standard Holder.....	<b>\$18.00</b>

- Used for handpieces, syringes, saliva ejectors
- Adjustable tilt angle
- For 1/2" bar-mounting
- Used w/ vacuum valves w/ tip extension



5970

GRAY	BLACK		
<b>5970</b>	<b>5950</b>	HVE Holder.....	<b>\$18.00</b>

- Holds vacuum valves from base
- For 1/2" bar-mounting
- Adjustable tilt angle

## Holder



5962

5963

GRAY	BLACK		
<b>5961</b>	<b>5941</b>	Automatic Holder.....	<b>\$9.00</b>
<b>5962</b>	<b>5942</b>	Standard Holder.....	<b>\$9.00</b>
<b>5963</b>	<b>5943</b>	Vacuum Holder.....	<b>\$9.00</b>

- Automatic, standard & vacuum
- Replacement holders for bracket assemblies

## Standard Holders



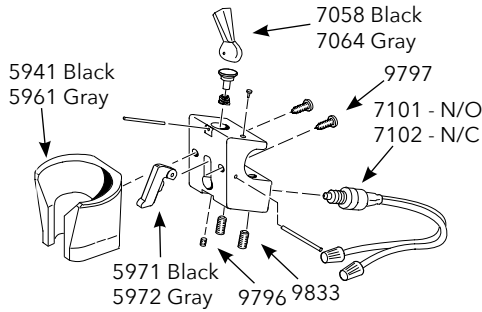
5910

WHITE	GRAY	BLACK		
<b>5900</b>	<b>5910</b>	<b>5905</b>	For HP, SE, HVE w/ Tip.....	<b>\$6.50</b>
<b>5915</b>	<b>5918</b>	<b>5920</b>	For Syringes.....	<b>\$6.50</b>
<b>5925</b>	<b>5923</b>	<b>5903</b>	For HVE's.....	<b>\$6.50</b>

- Mounts on holder brackets 5929 - 5935
- Includes 10-32 mounting screw

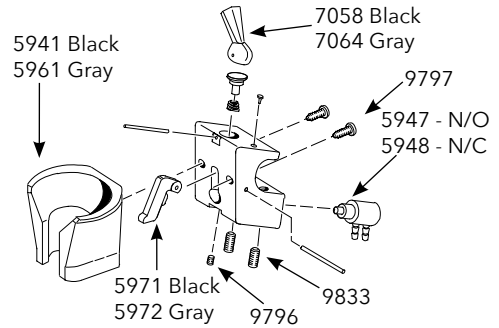


## Electric Auto Accessory Holder



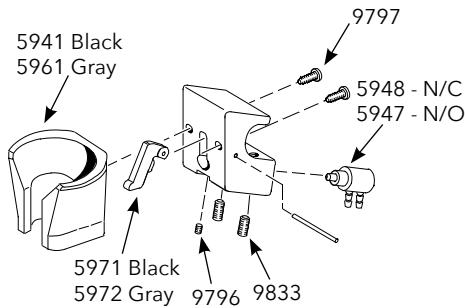
- 5966 Normally Open Black
- 5967 Normally Open Gray
- 5968 Normally Closed Black
- 5969 Normally Closed Gray

## Auto Handpiece Holder w/ Lockout



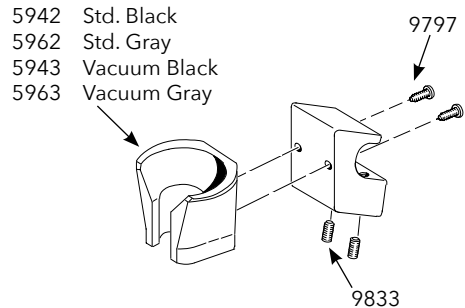
- 5940 Auto Holder Black
- 5960 Auto Holder Gray

## Auto Handpiece Holder w/o Lockout



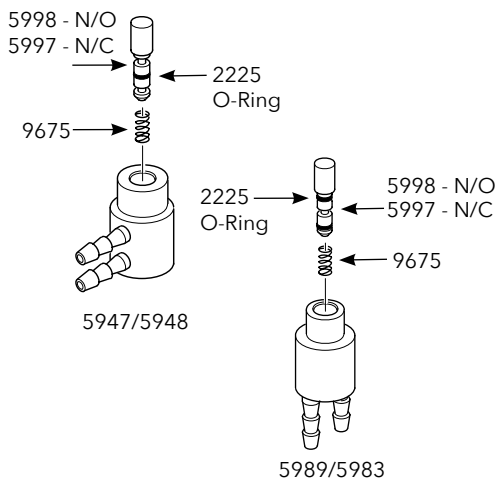
- 4592 Auto Holder Gray

## Standard & Vacuum Holders

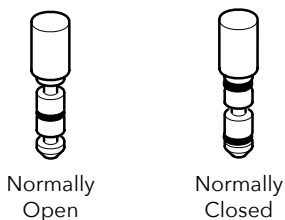


- 5945 Standard Holder Black
- 5965 Standard Holder Gray
- 5950 Vacuum Holder Black
- 5970 Vacuum Holder Gray

## Automatic Handpiece Holder Valve



## Stem Configuration

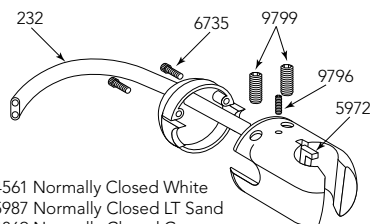


*Note: In order to change stem configuration, adjust O-Ring accordingly*

## Instrument Holders

<b>5941</b>	Auto Holder (black)	\$9.00
<b>5942</b>	Standard Holder (black)	\$9.00
<b>5943</b>	Vacuum Holder (black)	\$9.00
<b>5947</b>	Normally open, side ported	\$10.90
<b>5948</b>	Normally closed, side ported	\$10.90
<b>5961</b>	Auto Holder (gray)	\$9.00
<b>5962</b>	Standard Holder (gray)	\$9.00
<b>5963</b>	Vacuum Holder (gray)	\$9.00
<b>5971</b>	Actuator Lever (black)	\$1.80
<b>5972</b>	Actuator Lever (gray)	\$1.80
<b>5983</b>	Normally closed, rear ported	\$11.50
<b>5989</b>	Normally open, rear ported	\$11.50
<b>5997</b>	Stem w/ O-Ring Normally Closed	\$1.10
<b>5998</b>	Stem w/ O-Ring Normally Open	\$1.10
<b>7058</b>	Toggle (black)	\$1.60
<b>7064</b>	Toggle (gray)	\$1.60
<b>7101</b>	Electric Switch Normally Open	\$14.20
<b>7102</b>	Electric Switch Normally Closed	\$14.50
<b>9675</b>	Spring	\$0.50
<b>9796</b>	Set Screw	\$0.80
<b>9797</b>	Screw	\$0.80
<b>9833</b>	Set Screw	\$0.80

## Asepsis Molded Automatic Handpiece Holder Assembly



- 4561 Normally Closed White
- 5987 Normally Closed LT Sand
- 4869 Normally Closed Gray
- 4564 Normally Open White
- 5983 Normally Closed rear ported valve
- 5989 Normally Open rear ported valve



98 – 99

Foot Controls



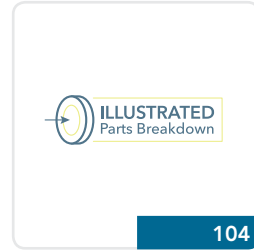
100

Repair Parts



101 – 103

Replacement A-dec®  
& Midmark Foot  
Controls/Repair Kits



104

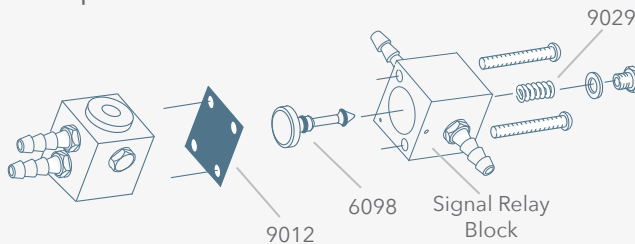
Illustrated Parts  
Breakdown



## TECH TIP

### Do you need a foot control with a signal relay? *How do you know?*

When picking a replacement foot control from the catalog, first match up the physical look of what you have to the appropriate one in the catalog. Then count the number of tubings coming out of the existing foot control. A-dec® and Midmark foot controls use the signal relay block in all their units, but a signal relay can be a beneficial addition to other manufacturers' systems as well. If you have a customer that is having problems with water activation when feathering the foot control, a signal relay can help eliminate that issue.



## Wet/Dry &amp; Chip Blower Disc-Type

PAGE 104  ILLUSTRATED Parts Breakdown

DARK SURF	GRAY	LT SAND	STERLING
-----------	------	---------	----------

6338	6315	6317	6324	Foot Control w/o Signal Relay.....	\$165.00
6438	6415	6416	6424	Foot Control w/ Signal Relay.....	\$195.00



- Responsive, high volume, variable flow
- Toggle for water coolant on/off
- Toe-touch button valve for chip blower
- 7' polyurethane 4-hole tubing (5-hole tubing with relay)

## Wet/Dry Disc-Type

PAGE 104  ILLUSTRATED Parts Breakdown

DARK SURF	GRAY	LT SAND	STERLING
-----------	------	---------	----------

6335	6310	6311	6322	Foot Control w/o Signal Relay.....	\$130.00
6435	6410	6411	6423	Foot Control w/ Signal Relay.....	\$160.00



- Responsive, high volume, variable flow
- Toggle for water coolant on/off
- 7' polyurethane 3-hole tubing (4-hole tubing with relay)

FEATURED

## Scaler Disc-Type

PAGE 104  ILLUSTRATED Parts Breakdown

DARK SURF	GRAY	LT SAND	STERLING
-----------	------	---------	----------

6337	6320	6321	6332	Foot Control w/o Signal Relay.....	\$130.00
6437	6420	6422	6432	Foot Control w/ Signal Relay.....	\$160.00



- Responsive, high volume, variable flow
- Toe-touch button valve for on/off control of ultrasonic scaler (3-way, momentary)
- 7' polyurethane 3-hole tubing (5-hole tubing with relay)

## Chip Blower Disc-Type

PAGE 104  ILLUSTRATED Parts Breakdown

DARK SURF	GRAY	LT SAND	STERLING
-----------	------	---------	----------

6336	6305	6307	6314	Foot Control w/o Signal Relay.....	\$130.00
6436	6405	6407	6414	Foot Control w/ Signal Relay.....	\$160.00



- Responsive, high volume, variable flow
- Toe touch button valve for chip blower, (2-way, momentary)
- 7' polyurethane 3-hole tubing (5-hole tubing with relay)



## Standard Disc-Type

PAGE 104 ILLUSTRATED Parts Breakdown



DARK SURF	GRAY	LT SAND	STERLING
6326	6300	6303	6309
6426	6400	6403	6409

Foot Control w/o Signal Relay.....\$77.00  
Foot Control w/ Signal Relay.....\$107.00

- Responsive, high volume, variable flow
- 7' polyurethane 2-hole tubing (4-hole tubing w/ signal relay)

6300

## Economy Disc-Type

PAGE 104 ILLUSTRATED Parts Breakdown



DARK SURF	GRAY	LT SAND	STERLING
6327	6301	6304	6313

Foot Control w/o Signal Relay.....\$68.00

- Responsive, high volume, variable flow
- 7' Polyurethane 2-hole tubing

6301

## Marus Foot Control Repair Kit

PN 6166 Kit, (Marus #85R186).....\$44.00



6166

### Kit Includes:

PN 6011	Large Spring	PN 5948	Pilot Valve
PN 6018	Piston	PN 9750	4 x 1/2 Pan Head Phillips Screw
PN 2210	Piston O-Ring	PN 9746	6 x 1/2 Pan Head Phillips Screw
PN 6012	Conical Spring	PN 6014	6-32 x 1/4 Pan Head Phillips Screw
PN 2207	Body O-Ring		
PN 9010	Poppet		
PN 6016	Poppet Cap		
PN 6013	Toggle Spring		

NEW ITEM

## Foot Control Toggle Kit

PN 9329 Foot Control Toggle Kit, Gray.....\$4.50





## Foot Control Toggle Valve Assembly

PN **6132** Toggle Valve Assembly..... **\$24.00**

- For use in the repair of DCI & wet/dry foot controls



## Wet/Dry Foot Control Repair Kit

PN **6163** Foot Control Repair Kit..... **\$11.50**

- For use w/ all DCI wet/dry disc-type foot controls



## Foot Control Button Valve Assembly

PN **6093** 2-way Valve Assembly (chip air)..... **\$24.00**

PN **6094** 3-way Valve Assembly (scaler)..... **\$24.00**

6093

- For use in the repair of DCI & A-dec® chip blower & scaler foot controls



## Chip Blower / Scaler Foot Control Repair Kit

PN **6162** Foot Control Repair Kit..... **\$8.90**

- For use w/ all DCI chip blower disc-type foot controls & scaler disc-type foot controls



## Standard DCI Foot Control Repair Kit

PN **6161** Foot Control Repair Kit..... **\$7.80**

- For use in the repair of all DCI standard disc-type foot controls



## Signal Relay Repair Kit

PN **6165** Signal Relay Repair Kit..... **\$6.50**



## Foot Control Replacement Ring

PN **6046** Foot Control Ring, Gray..... **\$9.00**

- Fits all DCI foot controls
- Now includes 4 screws



## Parts to fit A-dec® Foot Control III

PN **9082** Service Kit, (A-dec® #90.0593.00)..... **\$24.00**



**Kit Includes:**

- PN **8034** Silicone Lubricant (A-dec® #98.0090.01)
- PN **9010** Foot Control Poppet (A-dec® #22.0060.00)
- PN **9029** Foot Control Spring .093 OD (A-dec® #10.0440.00)
- PN **9012** Foot Control Diaphragm 3/4" (A-dec® #38.0054.00)
- PN **6042** Foot Control Compression Spring
- PN **2210** O-Ring-012 Buna (A-dec® #030.012.00)
- PN **6097** Piston-Foot Control III with seal (A-dec® #38.0760.00)
- PN **6098** Relay Valve Stem w/ O-Rings (A-dec® #22.0778.00)
- PN **9066** Compression Spring (A-dec® #22.0778.00)

## Parts to fit A-dec® Foot Control II

PN **9049** Complete Repair Kit, (A-dec® #90.0312.00)..... **\$16.50**



**Kit Includes:**

- PN **9125** Main Compression "Cover Spring" (A-dec® #013.011.00)
- PN **9026** Conical "Plunger Stem" Spring (A-dec® #013.022.00)
- PN **6096** Foot Control Stem Assy (A-dec® #38.0246.00)
- PN **6098** Signal Relay Stem w/ O-Rings (A-dec® #22.0778.00)
- PN **9012** Diaphragm (A-dec® #38.0054.00)
- PN **9029** Foot Control Spring (A-dec® #10.0440.00)

## Parts to fit A-dec® Foot Control I

PN **9141** Complete Rebuild Kit, (A-dec® #90.0010.00)..... **\$17.00**



**Kit Includes:**

- PN **9010** Plastic Poppet (A-dec® #22.0060.00)
- PN **9160** Piston Assembly (A-dec® #22.0083.00)
- PN **9123** Compression "Main" Spring (A-dec® #22.0135.00)
- PN **6098** Relay Stem (A-dec® #22.0778.00)
- PN **9012** Relay Diaphragm (A-dec® #38.0054.00)
- PN **9066** Compression Spring (A-dec® #22.0580.00)
- PN **9029** Foot Control Spring (A-dec® #10.0440.00)

FEATURED




**Parts to fit A-dec® Foot Control**

PN **9144** Lever Foot Control Service Kit, (A-dec® #90.0313.00)..... **\$22.00**

**Kit Includes:**


PN <b>9166</b>	Valve Stem Assy	(A-dec® #38.0211.00)
PN <b>6098</b>	Relay Stem Assy	(A-dec® #22.0778.00)
PN <b>9121</b>	Extension Spring	(A-dec® #38.0208.00)
PN <b>9124</b>	Compression Spring	(A-dec® #013.019.00)
PN <b>9012</b>	Relay Diaphragm	(A-dec® #38.0054.00)
PN <b>9171</b>	Brass Washer	(A-dec® #004.057.00)
PN <b>9029</b>	Foot Control Spring	(A-dec® #10.0440.00)



**Replacement A-dec® & Midmark Foot Control  
(Dark Surf)**

PN **6306** A-dec® Replacement Wet / Dry & Scaler Button Foot Control  
(A-dec® # 38.1601.00)..... **\$195.00**

- Additional configurations available upon request, contact Customer Service



**Replacement A-dec® & Midmark Asepsis 5-Hole  
Foot Control Tubing**

PN **653** Sheathed Asepsis 5-Hole Foot Control Tubing, Dark Surf (per ft.)  
(A-dec® #024.202.01) (Midmark #053-1709-00)..... **\$6.40**

PN **654** Sheathed Asepsis 5-Hole Foot Control Tubing, Gray (per ft.)  
(A-dec® #024.214.01) (Midmark #053-1709-00)..... **\$6.40**

- 1/8" tubings, 3 ea.
- 5/16" tubings, 2 ea.



## TECH TIP

**TUBINGS 653 & 654 ARE FOR NEW  
A-DEC® UNITS WITH 5/16" TUBINGS.**

They are not compatible with Cascade and prior delivery systems.



Easy Online Ordering





## Replacement A-dec® Foot Control Toggle Kit

- PN **9329** Foot Control Toggle Kit, Gray (A-dec® #38.0075.04) ..... **\$4.50**
- PN **6113** Foot Control Toggle Kit, Surf (A-dec® #38.0075.03)..... **\$4.50**



6110

## Replacement A-dec® & Midmark Foot Control Parts

- PN **6110** A-dec® Foot Control Parts Wet/Dry Toggle 3-Way Valve Assembly (A-dec® #38.0604.00)..... **\$22.00**

- PN **6112** Scaler/Accessory Button w/ 3-Way Valve (A-dec® #38.0612.00)..... **\$24.00**



6112

- PN **6111** Chip Blower Button w/ 2-Way Valve (A-dec® #38.0610.00)..... **\$24.00**

- PN **6102** Foot Control Housing, No Actuator Holes (A-dec® #38.0319.02)..... **\$6.90**



6106

- PN **6103** A-dec® Foot Control Housing Actuator Hole Right (A-dec® #38.0320.02)..... **\$6.90**

- PN **6106** A-dec® Foot Control Housing Actuator Hole Left (A-dec® #38.0763.00)..... **\$7.00**



6107

- PN **6104** A-dec® Foot Control Housing, 2 Actuator Holes (A-dec® #38.0321.02)..... **\$6.90**

- PN **6107** A-dec® Foot Control II & III Retaining Ring (A-dec® #38.0237.00)..... **\$8.80**



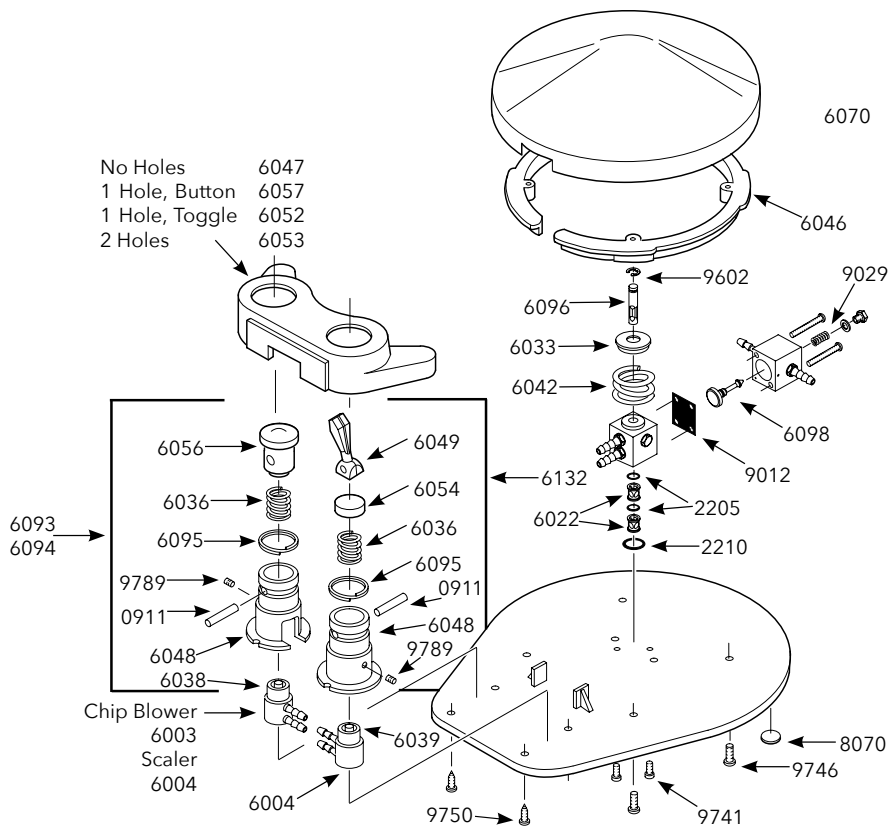
6070

- PN **6070** Foot Control Cover, (A-dec® #22.0110.00)..... **\$24.00**



6095

- PN **6095** Spring Clip, (A-dec® #010.056.00)..... **\$4.40**



## Foot Control Service Parts

<b>0911</b>	Pin.....	<b>\$0.50</b>	<b>6057</b>	Housing, 1-Hole Button (gray).....	<b>\$5.50</b>
<b>2205</b>	O-Ring (pkg 12).....	<b>\$2.90</b>	<b>6054</b>	Spring Cap.....	<b>\$5.50</b>
<b>2210</b>	O-Ring (pkg 12).....	<b>\$2.90</b>	<b>6056</b>	Actuator Button.....	<b>\$6.20</b>
<b>6003</b>	Micro-Valve, 2-Way (for chip air).....	<b>\$10.30</b>	<b>6070</b>	Foot Control Cover.....	<b>\$24.00</b>
<b>6004</b>	Micro-Valve, 3-Way.....	<b>\$10.30</b>	<b>6093</b>	Chip Blower Button Assembly.....	<b>\$24.00</b>
<b>6022</b>	Spool.....	<b>\$2.00</b>	<b>6094</b>	Scaler Button Assembly.....	<b>\$24.00</b>
<b>6033</b>	Return Ring.....	<b>\$1.30</b>	<b>6095</b>	Spring Clip, Foot Control Tower.....	<b>\$.40</b>
<b>6034</b>	Spring.....	<b>\$1.10</b>	<b>6096</b>	Stem w/ Retaining Ring.....	<b>\$7.80</b>
<b>6036</b>	Spring.....	<b>\$.60</b>	<b>6098</b>	Stem w/ O-Rings.....	<b>\$2.30</b>
<b>6038</b>	Stem w/ O-Rings, 2-Way.....	<b>\$1.10</b>	<b>6132</b>	Wet/Dry Toggle Assembly.....	<b>\$24.00</b>
<b>6039</b>	Stem w/ O-Rings, 3-Way.....	<b>\$1.10</b>	<b>8070</b>	Bumper Pad (pkg of 28).....	<b>\$6.40</b>
<b>6042</b>	Spring.....	<b>\$1.60</b>	<b>9012</b>	Diaphragm (pkg of 10).....	<b>\$13.00</b>
<b>6046</b>	Foot Control Ring (gray).....	<b>\$9.00</b>	<b>9029</b>	Spring (pkg of 10).....	<b>\$6.40</b>
<b>6047</b>	Housing, No Holes (gray).....	<b>\$5.50</b>	<b>9602</b>	Retaining Ring.....	<b>\$.20</b>
<b>6048</b>	Valve Tower.....	<b>\$3.70</b>	<b>9741</b>	Screw.....	<b>\$.20</b>
<b>6049</b>	Toggle, Wet-Dry (gray).....	<b>\$3.00</b>	<b>9746</b>	Screw.....	<b>\$.50</b>
<b>6052</b>	Housing, 1-Hole Toggle (gray).....	<b>\$5.50</b>	<b>9750</b>	Screw.....	<b>\$.50</b>
<b>6053</b>	Housing, 2-Holes (gray).....	<b>\$5.50</b>	<b>9789</b>	Set Screw.....	<b>\$.20</b>

# Regulators, Filters & Valves



106 – 108

Utility Centers  
& Components



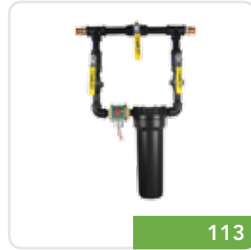
109 – 110

Regulators



111 – 112

Gauges



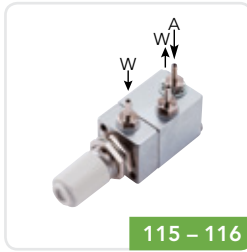
113

Water Security Systems



114

Handpiece &  
Syringe Blocks



115 – 116

Pilot Valves



117 – 120

Toggle Valves



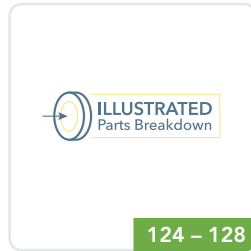
121

Mounting Brackets



122 – 123

Specialty Valves



124 – 128

Illustrated Parts  
Breakdown



## TECH TIP

### Do you need a 2-Way or 3-Way Valve?

When in doubt get a 2-way. If it turns out you need a 3-way, simply remove the center O-Ring on the stem!





**Trouble Shooting a Unit?** Find videos for diagnosing slow handpieces, combo valve & shut off block repair, needle valve & cartridge valve adjustment at the DCI Video Library!



## Asepsis Utility Center

**WHITE** | **GRAY**

<b>8329</b>	<b>8909</b>	Utility Center w/ Frame & Cover.....	<b>\$438.00</b>
<b>8314</b>	<b>8908</b>	Cover & Frame Only.....	<b>\$192.20</b>
<b>8316</b>	<b>8907</b>	Cover Only.....	<b>\$109.80</b>
<b>8327</b>		Utility Center, Less Frame & Cover.....	<b>\$287.50</b>

- Two manual shut-offs (7099)
- Accommodates up to 1 3/4" umbilicals
- Two self relieving regulators (7205)
- Mounts on floor or wall
- Cover dimensions are 14 1/2" x 14 3/4" x 5 1/16"
- One on/off toggle (7016)
- Two pressure gauges (7260)
- One dual master valve (7135)

## Standard Utility Center

**BLACK** | **GRAY**

<b>8320</b>	<b>8321</b>	Standard Utility Center w/ Housing & Cover.....	<b>\$384.00</b>
<b>8310</b>	<b>8312</b>	Utility Center Housing Only, w/ Cover.....	<b>\$82.70</b>
<b>8301</b>	<b>8203</b>	Replacement Cover for Utility Center.....	<b>\$18.40</b>
<b>8322</b>		Utility Center, Less Housing & Cover.....	<b>\$283.50</b>



- Mounts on floor or wall (plumbing template included)
- Slotted holes allow installation without disconnecting tubing
- Accommodates up to 1 3/4" umbilicals
- Two master shut-off valves w/ 1/2" MPT to 3/8" compression fittings (0904)
- Stainless steel housing 14"x 9"x 4 1/2"
- Two non-relieving regulators (7220)
- Two pressure gauges (7260)
- Two in-line filters (7250)
- Two manual shut-off valves (7099)

## Economy Utility Center

**BLACK** | **GRAY**

<b>8326</b>	<b>8324</b>	Economy Utility Center w/ Housing & Cover.....	<b>\$304.00</b>
<b>8310</b>	<b>8312</b>	Utility Center Housing Only, w/ Cover.....	<b>\$82.70</b>
<b>8301</b>	<b>8203</b>	Replacement Cover for Utility Center.....	<b>\$18.40</b>
<b>8323</b>		Economy Utility Center, Less Housing & Cover.....	<b>\$218.25</b>

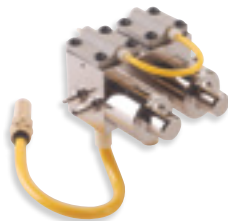


- Provides filtered, regulated air & water for assistant's unit
- Mounts on floor or wall (plumbing template included)
- Accommodates up to 1 3/4" umbilicals
- Two integrated master shut-off valves w/ regulator & filter (7212)
- Two manual shut-off valves (7099)
- 3-way on/off toggle valve (7016)
- Stainless steel housing 14" x 9" x 4 1/2"





Visit the DCI Video Library for a demonstration on repairing shut-off valves.



## Dual Master Shut-off Valves w/ Filters

PN 7135 Dual Master Shut-Off Valve Assembly w/ Filters..... **\$115.60**

- Provides shut-off for air & water
- One 1/4" barb fitting for air
- One 1/8" barb fitting for master control valve
- One 1/8" barb fitting for water
- 40 micron water & air filter
- 3/8" compression tube connection for air & water (0044)



## Dual Master Shut-off Valves

PAGE 128 ILLUSTRATED Parts Breakdown

PN 7125 Dual Master Shut-Off Valve Kit..... **\$112.30**  
 PN 7119 Master Shut-Off Valve (w/ double-barb cap)..... **\$42.00**  
 PN 7120 Master Shut-Off Valve (w/ single-barb cap)..... **\$42.00**  
 PN 7126 Replacement Diaphragm for 7119 & 7120..... **\$2.60**  
 PN 7311 Master Shut Off Block Repair Kit..... **\$10.00**

- For remote or utility center installation
- Master shut-off valves feature: pilot-actuated shut-off, 1/8" FPT inlet, 1/4" poly outlet, 10-32 barbs w/sleeves to connect 1/8" O.D. tubing
- Kit (7125) includes: two master shut-off valves, (7119 & 7120) two 1/8" MPT by 3/8" copper compression fittings (0100), 3-way on/off toggle valve (7016), two 1/4" poly by 1/8" MPT fittings (0053)



## Integrated Master Shut-off Valve / Regulator / Filter

PAGE 128 ILLUSTRATED Parts Breakdown

PN 7212 Integrated Shut-Off Valve..... **\$103.00**  
 PN 7289 Integrated Master Shut-Off Valve w/ 1" Gauge..... **\$118.30**  
 PN 7247 Filter Element, 40 Micron..... **\$2.70**  
 PN 7208 Regulator Only..... **\$29.40**  
 PN 7291 Cap Filter w/O-Ring, Gray..... **\$8.00**

- Non-relieving regulator, piston type
- 150 PSI maximum for regulator
- 40 micron filter element
- Diaphragm style master shut-off valve
- Integrated 3/8" compression tube to adapt to 7100 & 7099 manual shut-off valve
- PN 7212 includes 10-32 x 1/8" barb & washer



## Manual Shut-off Valves

PN 7100 Manual Shut-Off Valve 1/2" FPT Inlet..... **\$9.50**  
 PN 7099 Manual Shut-Off Valve 1/2" Nominal Compression..... **\$9.50**

- 1/2" nominal compression (7099)
- 1/2" FPT inlet (7100)
- 3/8" O.D. tube compression fitting outlet

## Non Relieving Regulator Kit



PN 7222	Non Relieving Regulator Kit.....	<b>\$66.30</b>
PN 7220	Regulator Only.....	<b>\$42.00</b>
PN 7223	Bracket & Nut.....	<b>\$18.00</b>

- Regulator (7220)
- In-line filter (7250)
- Round gauge (7260)
- Mounting bracket (7223)
- 1/4" poly x 1/8" MPT connector (0053)
- 1/8" MPT close nipple (0094)
- For use w/ air or water
- Maximum 125 PSI

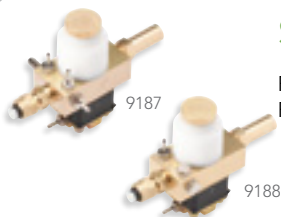
## Junction Box Valve Kit



PN 9118	Junction Box Valve Kit.....	<b>\$157.10</b>
---------	-----------------------------	-----------------

- Air & water shut-off w/ filter element
- 40 micron filter element
- Air pilot controlled
- Includes 3 Way on/off toggle valve
- 3/8" compression inlet

## Shut Off Valve Assembly



PN 9187	Air Single Shut off Valve Assembly & Filter.....	<b>\$64.40</b>
PN 9188	Water Single Shut off Valve Assembly & Filter.....	<b>\$64.40</b>

- For air or water
- Includes 40 micron filter
- 3/8" compression tube connection

## Cuspidor/Cup Filler Time Delay Valve Assembly



PN 9275	Time Delay Valve.....	<b>\$74.70</b>
---------	-----------------------	----------------

- Controls length of time bowl or cup fill is activated
- 1/4" poly inlet & outlet

## Manual Air Shut-off Kit w/ Regulator



PN 7117	Manual Air Shut-off Kit w/ Regulator.....	<b>\$63.30</b>
---------	---	----------------

- Used on air only
- Includes shut-off valve, regulator, & in-line filter





## Dentsply SPS Type Water Regulator

PN **7199** Dentsply SPS Type Water Regulator (Dentsply #80742)..... **\$142.00**

- Fits Cavitron Jet w/ SPS Technology & Cavitron w/ SPS Technology



## Dentsply Water Regulator w/ Extended Stem

PN **7209** Dentsply Water Regulator w/ Extended Stem  
(Dentsply #79685)..... **\$74.00**

- Fits Dentsply models w/ extended stem
- Includes 1/4" poly flow connector



## Dentsply™ Style Regulator

PN **7094** Regulator, (Dentsply #60407)..... **\$55.00**

- Includes 1/4 x 10-32 poly connector (0054)
- To fit the following units: Cavitron® 3000 & 2002, Prophy-Jet® 30, Cavi-Jet® 30, Cavi-Endo® 25, Cavi-Med



## Mini Fixed Regulator

PN **9155** Mini Regulator, 35 PSI Fixed..... **\$22.00**

- Non relieving
- Air or water
- 1/16" barb fitting
- 120 PSI max input



7203

## Mini Regulators

PN **7203** 10-32 Input, Non-Relieving..... **\$26.50**

PN **7204** 1/8" NPT Input, Non-Relieving..... **\$28.50**

PN **7205** 10-32 Input, Self-Relieving (for air only)..... **\$26.50**

PN **7206** 1/8" NPT Input, Self-Relieving..... **\$28.50**

- 150 PSI maximum
- Piston type
- Non- or self-relieving
- Mounting hardware 15/32-32 thread w/ nut

## Air Regulator



PN **2850** Air Regulator..... **\$170.00**

- Installs on air compressor
- Rated to 125 PSI
- 1/4" gauge port
- Increases life of utility center regulators
- 1/2" NPT
- Relieving type

## Air Filter Regulator (Brass)

PAGE 127  ILLUSTRATED Parts Breakdown



7225

PN **7225** Air Filter Regulator..... **\$120.00**  
 PN **7254** Filter Element, 5 Micron w/ Bowl Seal..... **\$28.30**  
 PN **7252** Moisture Separator Bowl..... **\$42.00**  
 PN **7223** Mounting Bracket & Nut..... **\$18.00**

- 1/8" FPT ports
- Quick removal threaded bowl
- Self-relieving
- Filter w/ 5 micron element
- Corrosion resistant construction
- Diaphragm operated
- Must be mounted in vertical position

## Air Filter Regulator (Coated Aluminum)



7241

PN **7241** Air Filter Regulator..... **\$100.00**  
 PN **7238** Moisture Separator Bowl..... **\$25.50**  
 PN **7242** Filter Element, 40 Micron Green Threads..... **\$20.00**  
 PN **2239** Bowl Seal (pkg of 12)..... **\$2.90**  
 PN **7223** Mounting Bracket & Nut..... **\$18.00**

- 1/8" FPT ports
- Quick removal threaded bowl
- Filter w/ 40 micron element
- Diaphragm operated
- Self-relieving
- Must be mounted in vertical position







## Pressure Gauge Rectangular

PN **7270** Rectangular Air Gauge..... **\$30.80**

- 0-60 PSI reading
- For air only
- 1/2" H x 1 3/4" W



7274

## Mini Pressure Gauges 1"

PN **7274** 0-60 PSI..... **\$15.30**

PN **7279** 0-100 PSI..... **\$15.30**

- 1" face
- 1/8" NPT / 10-32 Female

FEATURED



## Pressure Gauge 1 1/2" Face

PN **7265** Panel Mount Pressure Gauge..... **\$17.00**

- 0-100 PSI pressure reading
- Panel-mount bracket requires 1 5/8" hole
- 1 1/2" diameter
- 10-32 I.D. thread rear, 1/8" MPT thread
- For air or water



## Pressure Gauge 1 1/2" Face

PN **7281** Bottom Mounted Pressure Gauge..... **\$15.00**

- 0-100 PSI pressure reading
- 1 1/2" diameter
- 1/8" MPT thread
- For air or water

NEW ITEM



## Pressure Gauge 1 1/2" Face

PN **7260** Rear Mounted Pressure Gauge..... **\$13.70**

- 0-160 PSI pressure reading
- For air or water
- 1 1/2" diameter
- 1/8" MPT thread / 10-32 Female

NEW ITEM



## Pressure Gauge 1 1/2" Face

PN **7290** Bottom Mounted Pressure Gauge..... **\$14.00**

- 0-160 PSI pressure reading



2826

## Pressure Gauges 2" Face

PN **2826** Economy..... **\$19.00**

PN **2856** Liquid Filled..... **\$48.00**

- 2" dial face
- 0-160 PSI
- 1/4" MPT Center back connection



7268

## Vacuum Gauge

PN **7268** Vacuum Gauge, bottom mount..... **\$21.00**

PN **2088** Liquid Filled Vacuum Gauge, rear mount..... **\$72.00**

NEW ITEM



7246

7291

7247

## Air or Water Filter

PN **7246** Air/Water Filter..... **\$47.30**

PN **7291** Cap Filter w/O-Ring, Gray..... **\$8.00**

PN **7247** Element (ea.)..... **\$2.70**

PN **7248** Element (pkg of 6)..... **\$11.00**

- 1/8" FPT ports
- 40 micron replaceable element



7250

7282

## In-Line Filters 1/8" FPT or 10-32 Port

PAGE **127** **ILLUSTRATED**  
Parts Breakdown

PN **7250** In-Line Filter, 1/8" FPT..... **\$18.00**

PN **7251** In-Line Filter, 10-32 Port..... **\$18.00**

PN **2215** O-Ring (pkg of 12)..... **\$2.90**

PN **7253** Bronze Filter Disc (pkg of 2)..... **\$3.00**

PN **7282** Stainless Filter Disc (pkg of 2)..... **\$24.00**

- 35 micron filtration
- 1" diameter x 1" long





W1100

## Water Security Systems

PN <b>W1100</b>	3/4" System w/ Filter & 24 Volt Relay.....	<b>\$980.00</b>
PN <b>W2100</b>	1" System w/ Filter & 24 Volt Relay.....	<b>\$1,300.00</b>

- Filters incoming water supply & shuts off water from control panel
- Remote shut off of all water supply to dental equipment to prevent accidental water damage
- Allows servicing without disruption to the dental practice
- 20 Micron Filter



2051

## Water Filter Replacement Cartridge

PN <b>2051</b>	Water Filter 2 1/2" x 10" (pkg of 2).....	<b>\$41.20</b>
PN <b>2076</b>	Water Filter 4 1/2" x 10" (pkg of 2).....	<b>\$82.40</b>

- Fits most standard housings
- Pleated design captures more debris
- 20 Micron Filter
- PN 2051 fits 3/4" systems
- PN 2076 fits 1", 1 1/4" & 1 1/2" systems



7239

## Air Filter / Moisture Separator

PN <b>7239</b>	Air Filter Moisture Separator, 5 Micron Filter 7236.....	<b>\$60.00</b>
PN <b>7238</b>	Moisture Separator Bowl.....	<b>\$25.50</b>
PN <b>7236</b>	Filter Element, 5 Micron, Black Threads.....	<b>\$28.00</b>
PN <b>2239</b>	Bowl O-Ring, (pkg of 12).....	<b>\$2.90</b>

- 1/8" FPT ports
- Quick removal threaded bowl



7234



7283

## Disposable Inline Filter

PN <b>7234</b>	Inline Filter 74 Micron Filtration, 1/4" Barbs.....	<b>\$13.00</b>
PN <b>7283</b>	Inline Filter 43 Micron Filtration, 1/8" Barbs.....	<b>\$16.00</b>

- For use w/ air or water
- Nylon construction

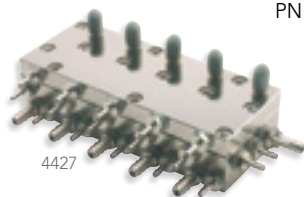
NEW ITEM

## Automatic Handpiece Block Single-Piece Assembly



4421

PN 4380	Twin-Block w/ Long Adjustment Screws.....	\$80.00
PN 4382	Twin-Block w/ Std. Adjustment Screws.....	\$80.00
PN 4421	Tri-Block.....	\$90.00
PN 4425	Quad-Block.....	\$125.00
PN 4427	Quin-Block.....	\$210.00
PN 4381	Diaphragm, Twin-Block.....	\$2.60
PN 4430	Diaphragm, Tri-Block.....	\$3.20
PN 4433	Diaphragm, Quad-Block.....	\$3.60
PN 4434	Diaphragm, Quin-Block.....	\$2.20
PN 4432	Drive Air Adjusting Screw.....	\$5.70
PN 4426	Mounting Bracket.....	\$9.50



4427

- Consistent flow control for handpiece pressure adjustments
- Higher output due to improved airflow
- Longer lasting diaphragm
- No internal cross-over of air or water
- Block dimensions, 1 1/2" x 1 1/2" x 1" (4382)
- Block dimensions, 2 3/8" x 1 1/2" x 1" (4421)
- Block dimensions, 3 1/8" x 1 1/2" x 1" (4425)
- Block dimensions, 3 3/4" x 1 1/2" x 1" (4427)

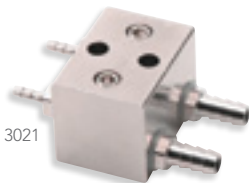
## Manual Handpiece Control Block



PN 4093	Control Block.....	\$24.30
---------	--------------------	---------

- Allen adjusting screws for air & water
- Mounting hardware
- 10-32 Barbs for 1/8" and 1/4" O.D. tubing

## Flow Control Connector Block



3021

PN 3021	Syringe Block.....	\$18.90
PN 2110	Flow Adjusting Screw.....	\$2.30

- For use on DCI 4102 & other manual handpiece control systems
- Includes all barb fittings
- Handpiece pressure adjustment

## Handpiece Muffler & Oil Collector



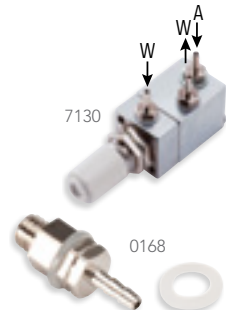
PN 7321	Muffler.....	\$28.00
---------	--------------	---------

- Can be mounted through frame for removal from outside control head
- Will handle up to four handpieces
- Compact size to fit inside control head
- Minimum back pressure
- Filter media is standard cotton swab material





### Water Relay & Flow Control Combo Valves



PN 7130	Water Relay w/ Flow Control.....	\$50.90
PN 7131	Water Relay w/o Flow Control.....	\$42.50
PN 7133	Repair Kit.....	\$9.00
PN 0168	Duck Bill Barb.....	\$5.50

- Non retraction type
- Combination pilot valve & needle valve
- 10-32 side ports
- Low Activation Pressure of 10-15 PSI



Visit the DCI Video Library for a demo on Combo Valve repair.

NEW ITEM

### Water Relay & Flow Control Combo Valves



PN 7187	Midmark Combo Valve (Midmark #029-3411-00).....	\$46.00
---------	---	---------

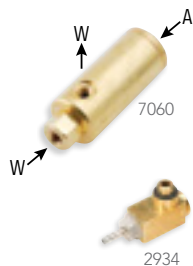
- Water relay valve with flow control
- Replacement for most newer Midmark Dental Units
- 35 PSI activation pressure

PN 7185	Flow Control Knob, Blue (Midmark #053-1165-01).....	\$3.40
PN 7186	Flow Control Knob, Surf (Midmark #053-1165-00).....	\$3.40

- 1/4" Brass insert shaft
- Smooth type knob

FEATURED NEW ITEMS

### Water Relay



PN 7060	Water Relay.....	\$19.90
---------	------------------	---------

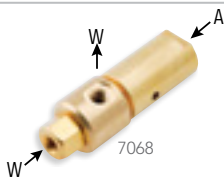
- Air activated water retraction
- 10-32 ports w/ 1/16" barbs

PN 2934	Quick Exhaust Valve.....	\$20.60
---------	--------------------------	---------

- 10-32 ports to adapt to water relays
- Releases air pressure immediately when not activated

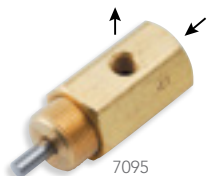
NEW ITEM

### Water Relay "Non-Retraction"



PN 7068	Water Relay w/ Actuator.....	\$35.20
PN 7096	Actuator Only.....	\$18.20

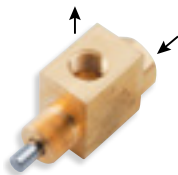
- Air activated water relay
- 10-32 ports
- Normally closed
- 1/16" barbs & washers



## Pilot Actuated Relay Valves

PN 7095	Normally Open.....	<b>\$23.60</b>
PN 7097	Normally Closed.....	<b>\$19.30</b>

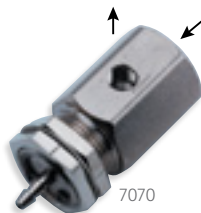
- Requires actuator 7096
- 10-32 ports
- 2-way (non-relieving)
- For air or water



## Pilot Actuated Valve

PN 7073	Pilot-Actuated Valve.....	<b>\$54.00</b>
---------	---------------------------	----------------

- Requires actuator 7096
- Normally closed
- 1/8" FPT ports
- 2-way (non-relieving)
- For air or water



## Air Pilot Valves

PN 7070	2-Way w/o Exhaust Normally Closed (for air & water).....	<b>\$22.00</b>
PN 7071	2-Way w/o Exhaust Normally Open (for air & water).....	<b>\$22.00</b>
PN 7075	3-Way w/ Exhaust Normally Closed (for air only).....	<b>\$22.00</b>

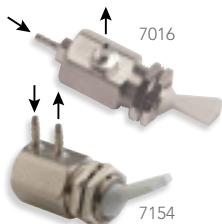
- Barb fitting for 1/8" O.D. tubing
- Air actuated on/off control
- Requires 25 PSI
- Panel-mount 15/32-32 thread w/ nut



## Download the DCI Catalog App

Looking for a digital version of the DCI Catalog? Visit the iTunes or Android app store and download it today. View the catalog on your mobile device, iPad or laptop!



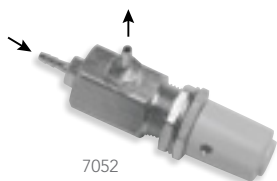


## Toggle On/Off Valve Hex Body

PAGE  
124

BLACK	GRAY		
7010	7012	2-Way Valve	\$13.60
7015	7016	3-Way Valve	\$13.60
	7154	3-Way Valve, Side Ported	\$22.10

- Panel-mounting 15/32-32 thread w/ nut
- 2-way for air or water; 3-way for air only



## Needle Valve "Hex Body"

PAGE  
126

BLACK	GRAY		
7050	7052	Needle Valve	\$16.00
7059	7069	Knob	\$2.80

- Fine flow control adjustment for air or water
- Panel-mounting 15/32-32 thread w/ nut
- Includes 1/16" hex allen wrench



Visit the DCI Video Library for a demo on Needle Valve repair.

PAGE  
124

## Toggle Momentary Valve "Hex Body"

BLACK	GRAY		
7020	7021	2-Way Valve N.C.	\$14.00
7025	7026	3-Way Valve N.C.	\$14.00
	7027	3-Way Valve N.O.	\$16.50

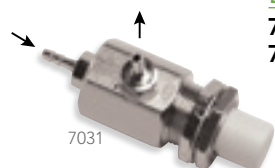
- Panel-mounting 15/32-32 thread w/ nut
- 2-way for air or water; 3-way for air only

PAGE  
124

## Toggle Routing "Selector" Valve Hex Body

BLACK	GRAY		
7000	7001	Routing Valve	\$17.00

- Toggle on/off for routing  
1 input & 2 output, or  
2 input & 1 output
- Panel-mounting 15/32-32 thread w/ nut
- For air or water

PAGE  
124

## Push Button Momentary Valve "Hex Body"

BLACK	GRAY		
7030	7031	2-Way, N.C.	\$17.80
7035	7037	3-Way, N.C.	\$17.80
	7036	3-Way, N.O.	\$19.00

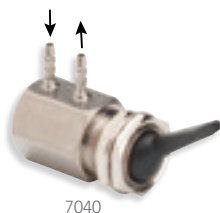
- Positive on/off control
- Panel-mounting 15/32-32 thread w/ nut
- 2-way for air or water; 3-way for air only



## Flow Control Valve "Hex Body"

BLACK	GRAY		
7055	7056	Pinch Valve.....	\$14.00
7059	7069	Knob.....	\$2.80

- Variable restriction for air & water
- Pinch valve
- Accommodates 1/8" or 1/4" O.D. tubing



## Toggle On/Off Valve Hex Body "Side Port"

BLACK	GRAY		
7040	7152	2-Way Valve.....	\$22.10
7045	7154	3-Way Valve.....	\$22.10

- Panel-mounting 15/32-32 thread w/ nut
- 2-way for air or water; 3-way for air only
- Port barb for 1/8" O.D. tubing



## Toggle On/Off Valve Side Port "Round Body"

BLACK	GRAY		
7155	7156	3-Way Valve.....	\$21.90

- Port barb for 1/8" O.D. tubing
- Round body
- 3-way for air only
- Panel-mounting 15/32-32 thread w/ nut

PAGE 125 ILLUSTRATED Parts Breakdown



## Toggle Routing "Selector" Valve Round Body

BLACK	GRAY		
7150	7151	Selector Valve.....	\$40.00

- Panel mounting 15/32-32 thread w/ nut
- Routes signal air
- Port barb for 1/8" O.D. tubing
- Exhausting valve, for air only

PAGE 126 ILLUSTRATED Parts Breakdown

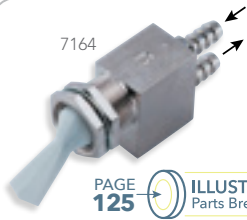


## Momentary Cup Filler Valve "Round Body"

BLACK	GRAY		
7167	7166	Cuspidor Valve.....	\$22.70

- Threaded hex fitting for flow
- 2-way (non-exhausting) for water
- Positive on/off control
- Panel-mounting 15/32-32 thread w/ nut





## Toggle On/Off "Rear Ported" Valves

BLACK	GRAY		
7163	7164	2-Way Valve for air or water.....	\$25.80
7160	7161	3-Way Valve for air only.....	\$25.80

PAGE 125 ILLUSTRATED Parts Breakdown

- Positive on/off control
- Panel-mounting 15/32-32 thread w/ nut



## Toggle Momentary On/Off "Rear Ported"

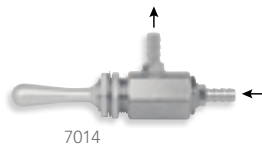
BLACK	GRAY		
7168	7169	2-Way Valve for air or water.....	\$25.80

- Rear ported valve
- Panel-mounting 15/32-32 thread w/ nut



## Replacement Toggles

BLACK	GRAY		
7038	7039	Momentary Toggle w/ Pin.....	\$2.00
7123	7124	On/Off Toggle w/ Pin.....	\$2.00



## Extended Handle Toggle Valves (Aluminum)

PN 7014	2-way Valve.....	\$23.10
PN 7009	3-way Valve.....	\$23.10

- Extended Handle
- Momentary action
- 2 & 3-way configurations used on cup fillers & cuspidors



## Air On/Off Indicators

PN 7285	Green.....	\$17.00
PN 7280	Red.....	\$17.00

- 10-32 Port with barbs for 1/8" O.D. tubing
- 25-120 PSI
- Panel-mount



## Automatic Handpiece Holder Valves

PN 5947	Normally Open Side Port.....	\$10.90
PN 5948	Normally Closed Side Port.....	\$10.90
PN 5989	Normally Open Rear Port.....	\$11.50
PN 5983	Normally Closed Rear Port.....	\$11.50

- 5948 normally closed is used for 5940, 5960 & 4592 handpiece holders
- 5983 normally closed is used for 4561
- 5947 normally open is used for positive air signal

## DCI Cartridge Valves

The Cartridge Valve product line consists of a complete assortment of normally closed and normally open styles, on-off, routing and momentary, in both 3-way and 2-way. They are available in toggle, push button and roller activation.

The perfect valve to replace existing valves in your current equipment. The cartridge design allows for very simple and quick repairs in the field. No need to go through the difficult task of removing and replacing the whole valve. A quick turn of the cartridge allows for simple removal and another quick turn with the replacement cartridge gets you back up and running. It's as simple as that.

- Removable cartridge insert
- Will replace most OEM valves
- Color coded cartridge for easy identification
- Increased flow
- Quick & simple 60 degree turn to remove or insert



7836



7821



7843



7801



7851



7831



7836

VALVE PN	CART. #	COLOR
----------	---------	-------

7800	7900	Brown	Valve, Toggle (Black), 2-Way, On-Off, N.C.	\$12.60
7801	7901	Brown	Valve, Toggle (Gray), 2-Way, On-Off, N.C.	\$12.60
7802	7902	Blue	Valve, Toggle (Black), 3-Way, On-Off, N.C.	\$12.60
7803	7903	Blue	Valve, Toggle (Gray), 3-Way, On-Off, N.C.	\$12.60
7810	7910	Brown	Valve, Toggle (Black), 2-Way, Momentary, N.C.	\$14.20
7811	7911	Brown	Valve, Toggle (Gray), 2-Way, Momentary, N.C.	\$14.20
7812	7912	Blue	Valve, Toggle (Black), 3-Way, Momentary, N.C.	\$14.20
7813	7913	Blue	Valve, Toggle (Gray), 3-Way, Momentary, N.C.	\$14.20
7817	7917	Green	Valve, Toggle (Gray), 3-Way, Momentary, N.O.	\$14.20
7821	7921	Brown	Valve, Push Button (Gray), 2-Way, Momentary, N.C.	\$17.90
7823	7923	Blue	Valve, Push Button (Gray), 3-Way, Momentary, N.C.	\$17.90
7827	7927	Green	Valve, Push Button (Gray), 3-Way, Momentary, N.O.	\$17.90
7831	7931	Blue	Valve, Roller (SST), 3-Way, Momentary, N.C.	\$15.20
7835	7935	Red	Valve, Routing, Toggle (Black), On/Off, Side & Rear Ported	\$20.90
7836	7936	Red	Valve, Routing, Toggle (Gray), On/Off, Side & Rear Ported	\$20.90
7842		Red	Valve, Routing, Toggle (Black), On/Off	\$19.50
7843		Red	Valve, Routing, Toggle (Gray), On/Off	\$19.50
7845	7945	Brown	Valve, Toggle (Black), Side Ported, 2-Way, On-Off, N.C.	\$18.40
7847	7947	Blue	Valve, Toggle (Black), Side Ported, 3-Way, On-Off, N.C.	\$18.40
7851	7951	Blue	Valve, Toggle (Gray), Side Ported, 3-Way, Momentary, N.C.	\$18.40
7852	7952	Blue	Valve, Toggle (Gray), Side Ported, 3-Way, Momentary, N.O.	\$18.40





6569

## Air & Water Auxiliary Q.D. Panels

PN <b>6559</b>	Gray Auxiliary Panel.....	<b>\$180.30</b>
PN <b>6569</b>	White Auxiliary Panel.....	<b>\$180.30</b>

- 1/4" Water quick connect w/ flow control
- Available in white or gray
- 3/8" Air quick connect w/ on/off switch
- Dimensions 3" x 4"



7078

## Valve / Switch / Q.D. Mounting Brackets

PN <b>7078</b>	Single Mount, L: 1.5" H: 7/8" W: 3/4".....	<b>\$6.90</b>
PN <b>7079</b>	Dual Mount, 3" H: 7/8" W: 3/4".....	<b>\$9.00</b>
PN <b>7114</b>	Triple Mount, L: 3" H: 7/8" W: 3/4".....	<b>\$14.70</b>

- 1/2" I.D. mounting holes
- White powder coat finish
- Mounts toggles, indicators, Q.D.'s & air electric switches

## 3/4" & 1/2" I.D. Mounting Bracket



PN <b>7113</b>	Q.D. Mounting Bracket, L: 3" H: 7/8" W: 3/4".....	<b>\$12.26</b>
----------------	---	----------------

- One 1/2" mounting hole
- One 3/4" mounting hole
- White powder coat finish

## Air Actuated Switches

PN <b>7080</b>	25 PSI Normally Open.....	<b>\$26.00</b>
PN <b>7087</b>	25 PSI Normally Closed.....	<b>\$26.00</b>
PN <b>7084</b>	10 PSI Normally Open.....	<b>\$24.00</b>
PN <b>7089</b>	10 PSI Normally Closed.....	<b>\$24.00</b>



7080

- 7080 & 7087 activated at 25 PSI, 5 A
- 7084 & 7089 activated at 10 PSI, 1 A
- 15/32-32 thread w/ nut
- On/off control of up to 120v, 5 amp
- 125 PSI max

FEATURED



### Shuttle Valves

PN 7090	1/8" Shuttle Valve.....	<b>\$12.60</b>
PN 7092	1/4" Shuttle Valve.....	<b>\$13.10</b>

- For routing two different flows through one output
- For 1/8" & 1/4" tubing



### Miniature Inline Check Valves

PN 7085	1/8" FPT.....	<b>\$20.50</b>
PN 7140	Check Valve w/Ball, 1/16" Barb.....	<b>\$9.70</b>
PN 7141	Check Valve w/Ball, 1/8" Barb.....	<b>\$9.70</b>

- For use w/ non-retraction water systems



### Flow Restrictor

PN 7022	Flow Restrictor.....	<b>\$4.00</b>
---------	----------------------	---------------

- Variable control for air & water
- For 1/8" O.D. or 1/4" O.D. tubing



### Ball Valves

PN 2151	Ball Valve, 1/4" FPT.....	<b>\$34.50</b>
PN 2152	Ball Valve 1/2" FPT.....	<b>\$34.50</b>
PN 2150	Ball Valve 3/8" FPT.....	<b>\$40.00</b>
PN 2159	Ball Valve 3/4" FPT.....	<b>\$40.00</b>
PN 2160	Ball Valve 1" FPT.....	<b>\$50.00</b>

- For use w/ water, oil or gas (WOG)
- 29" Hg to 600 PSI rated

### Cavitron Water Solenoid Valve Assembly



PN **9404** Cavitron Water Solenoid Valve Assembly (Dentsply #776030250)..... **\$148.00**

- 24 Volt
- 1/8" FPT

### Dentsply SPS Style Water Solenoid Valve



PN **2939** Dentsply SPS Style Water Solenoid Valve (Dentsply #571070003)..... **\$140.00**

- Fits Dentsply Cavitron SPS w/ SPS Technology & Cavitron Jet w/ SPS Technology
- 24 Volt DC
- Two 1/8" FPT ports

### Water Solenoid Valves



PN **2830** 24 Volt AC..... **\$152.00**  
 PN **2831** 115 Volt AC..... **\$152.00**  
 PN **2832** 230 Volt AC..... **\$152.00**

- 2-way normally closed
- 1/8" NPT
- 24 / 115 / 230 Volt AC
- Conduit hub mount

### Water Solenoid Valves

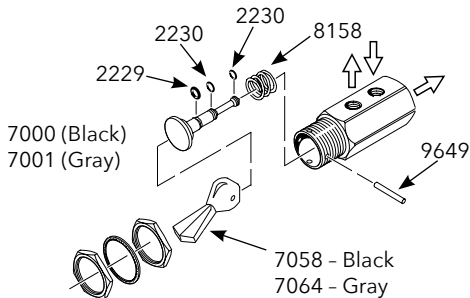


PN **2827** 24 Volt AC..... **\$133.90**  
 PN **2828** 115 Volt AC..... **\$133.90**  
 PN **2829** 230 Volt AC..... **\$133.90**

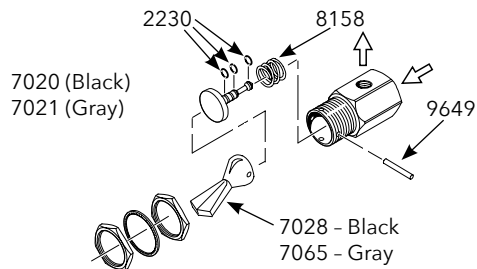
- 2-way normally closed
- 1/8" NPT
- 24 / 115 / 230 Volt AC
- 12" leads / no conduit hub mount

2827

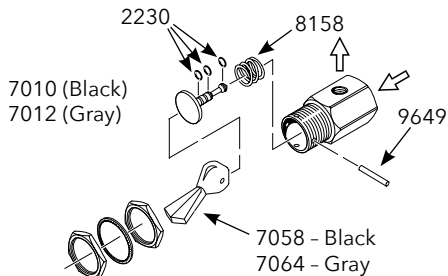
## Routing Valve



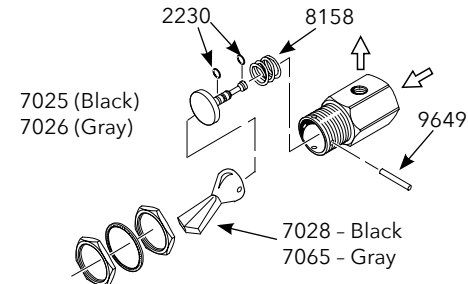
## Toggle Valve, 2-Way Momentary



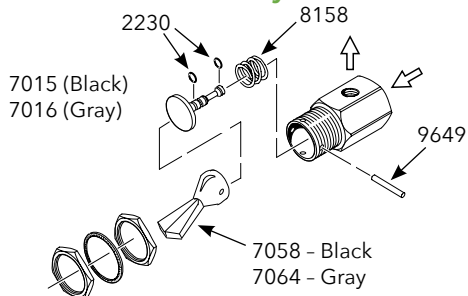
## Toggle Valve, 2-Way



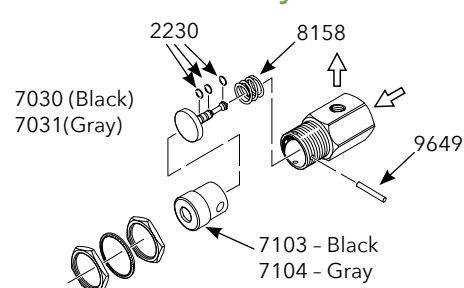
## Toggle Valve, 3-Way Momentary



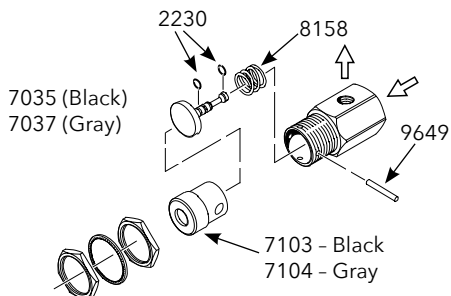
## Toggle Valve, 3-Way



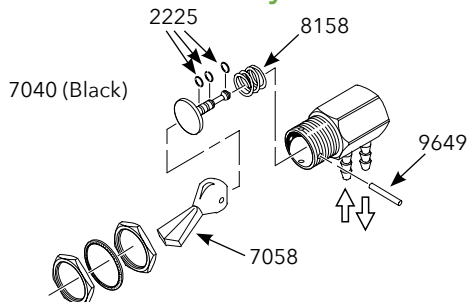
## Push-Button Valve, 2-Way



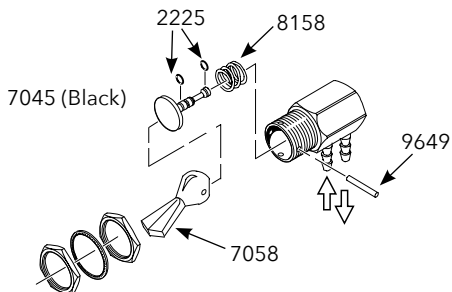
Push-Button Valve,  
3-Way



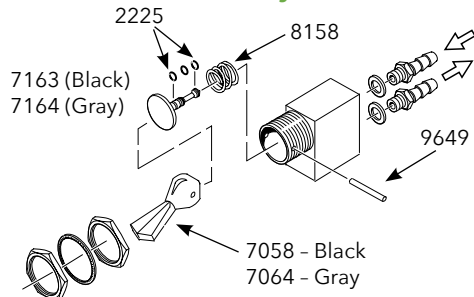
Toggle Valve,  
2-Way



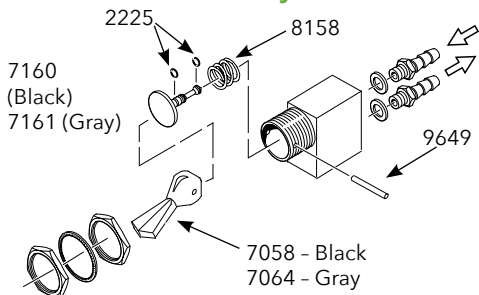
Toggle Valve,  
3-Way



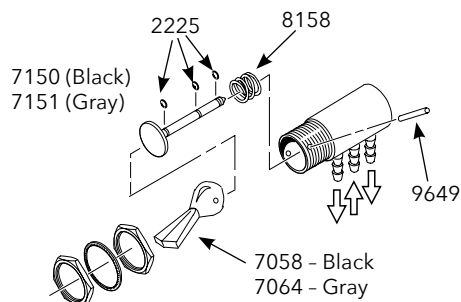
Toggle Valve,  
2-Way



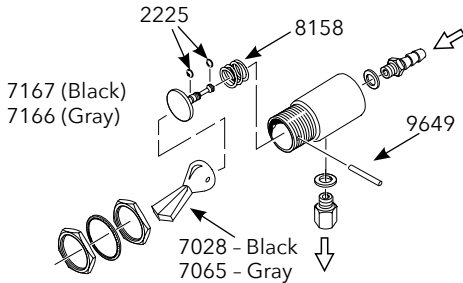
Toggle Valve,  
3-Way



Routing Valve



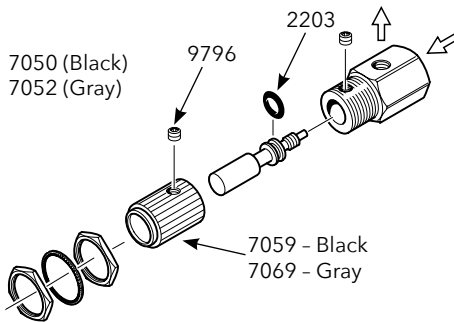
## Toggle Valve, 3-Way Momentary



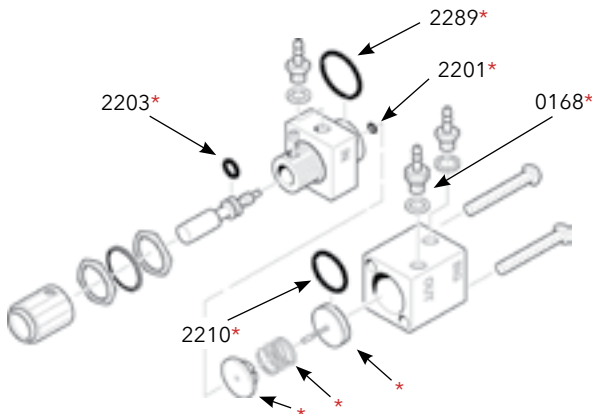
## Toggle, Valves & Regulators

<b>2201</b>	O-Ring (pkg of 12)	<b>\$2.90</b>
<b>2203</b>	O-Ring (pkg of 12)	<b>\$2.90</b>
<b>2205</b>	O-Ring (pkg of 12)	<b>\$2.90</b>
<b>2218</b>	O-Ring (pkg of 12)	<b>\$2.90</b>
<b>2225</b>	O-Ring (pkg of 12)	<b>\$2.90</b>
<b>2230</b>	O-Ring (pkg of 12)	<b>\$2.90</b>
<b>2238</b>	O-Ring (pkg of 12)	<b>\$2.90</b>
<b>6037</b>	Spring, Stainless Steel	<b>\$1.50</b>
<b>7028</b>	Toggle, Momentary (black)	<b>\$1.50</b>
<b>7058</b>	Toggle, Detented (black)	<b>\$1.60</b>
<b>7059</b>	Knob (black)	<b>\$2.80</b>
<b>7064</b>	Toggle, Detented (gray)	<b>\$1.60</b>
<b>7065</b>	Toggle, Momentary (gray)	<b>\$1.60</b>
<b>7069</b>	Knob (gray)	<b>\$2.80</b>
<b>7103</b>	Push Button (black)	<b>\$2.10</b>
<b>7104</b>	Push Button (gray)	<b>\$2.10</b>
<b>8158</b>	Spring, Compression	<b>\$.50</b>
<b>9649</b>	Pin	<b>\$.50</b>
<b>9796</b>	Set Screw	<b>\$.80</b>

## Needle Valve



## Water Relay & Flow Control Combo Valve 7130



<b>2201</b>	O-Ring (pkg of 12)	<b>\$2.90</b>
<b>2203</b>	O-Ring (pkg of 12)	<b>\$2.90</b>
<b>2210</b>	O-Ring (pkg of 12)	<b>\$2.90</b>
<b>2289</b>	O-Ring (pkg of 12)	<b>\$2.90</b>
<b>0168</b>	Duck Bill Barb	<b>\$5.50</b>

Water Relay & Flow  
Control Combo Valve

Repair Kits include items designated  
by an asterisk

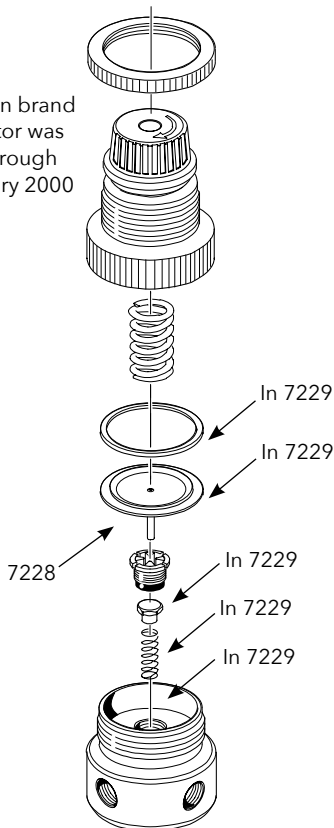
<b>7133</b>	Repair Kit	<b>\$9.00</b>
-------------	------------	---------------





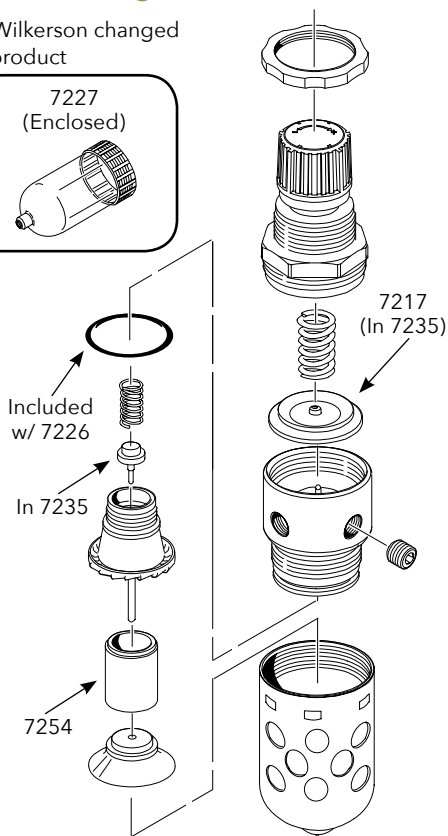
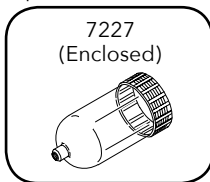
## Norgren Regulator 7220

- Norgren brand regulator was sold through February 2000



## Wilkerson Air Filter Regulator 7225

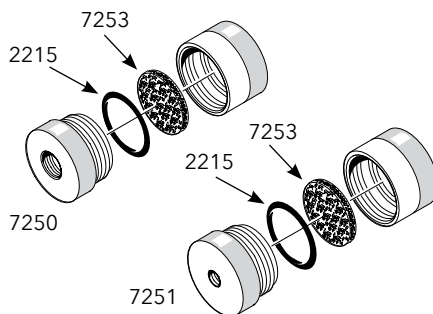
- Wilkerson changed product



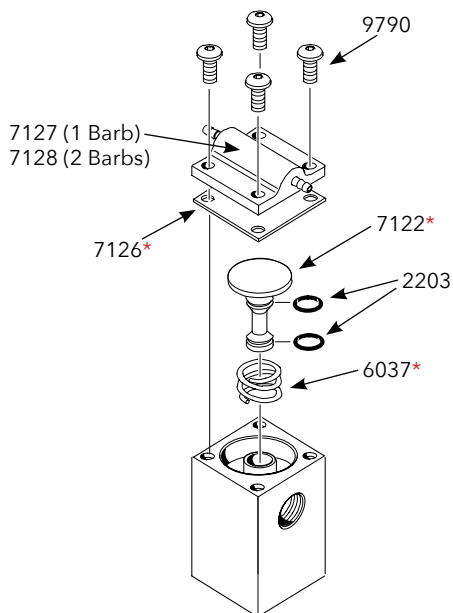
## Air & Water Regulators & Filters

<b>2215</b>	O-Ring (pkg of 12).....	<b>\$2.90</b>
<b>7217</b>	Diaphragm for 7225.....	<b>\$31.00</b>
<b>7226</b>	Filter Element & O-Ring for 7225.....	<b>\$13.30</b>
<b>7227</b>	Moisture Separator Bowl.....	<b>\$57.50</b>
<b>7228</b>	Diaphragm for 7220.....	<b>\$14.70</b>
<b>7229</b>	Repair Kit for 7220.....	<b>\$22.10</b>
<b>7235</b>	Repair Kit for 7225.....	<b>\$43.00</b>
<b>7253</b>	Filter Disk (pkg of 2).....	<b>\$3.00</b>

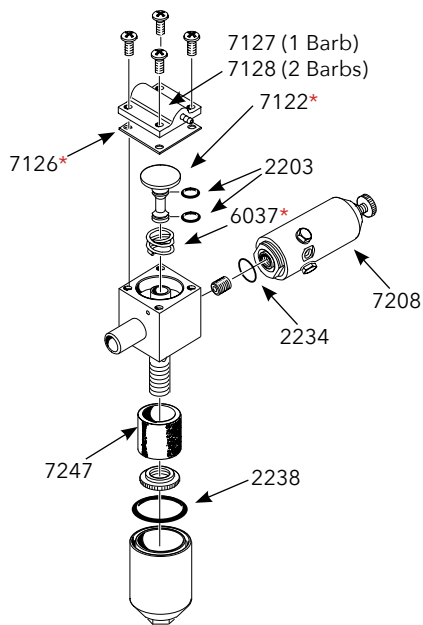
## In-Line Filters



## Master Shut-off Valve 7125



## Integrated Master Shut-off Valve 7212



## Valves & Regulators

<b>7311</b>	Master Shut-off Valve Repair Kit .....	<b>\$10.00</b>
<b>2203</b>	O-Ring (pkg of 12) .....	<b>\$2.90</b>
<b>2234</b>	O-Ring (pkg of 12) .....	<b>\$2.90</b>
<b>6037</b>	Spring, Stainless Steel .....	<b>\$1.50</b>
<b>7122</b>	Stem, Master Shut-Off .....	<b>\$5.30</b>
<b>7126</b>	Diaphragm, Master Shut-Off .....	<b>\$2.60</b>
<b>7127</b>	Cap, 1 Barb, Master Shut-Off .....	<b>\$5.30</b>
<b>7128</b>	Cap, 2 Barb, Master Shut-Off .....	<b>\$5.30</b>
<b>7208</b>	Regulator Assembly .....	<b>\$29.40</b>
<b>7247</b>	Filter Element, 40 Micron .....	<b>\$2.70</b>
<b>9790</b>	Screw .....	<b>\$.20</b>

\* Asterisk designates parts included in DCI kit 7311



130 – 132

Quick Disconnects



133 – 137

Barb Fittings



128 – 140

NPT Pipe Fittings



141 – 142

Compression Fittings



143 – 145

Poly Flow Fittings



146

Plastic Barb Fittings



## TECH TIP

### How to read fitting descriptions and other abbreviations:

The description follows the same sequence as the title.

In this example the title is:  
**Poly X Compression Tube Unions**

**Example**  
PN# 0045

Description:  
1/4" Poly x 1/4"  
Compression



**MPT** Male Pipe Thread

**FPT** Female Pipe Thread

**T&Y** Refers to the shape of the fitting

**Q.D.** Quick Disconnect

FEATURED



0868



0866



0869



2271

## Inline Tubing Q.D. Swivel Fittings

PN <b>0868</b>	1/16" In-line Tubing Q.D. Assy (pkg of 5).....	<b>\$21.00</b>
PN <b>0866</b>	1/8" In-line Tubing Q.D. Assy (pkg of 5).....	<b>\$21.00</b>
PN <b>0869</b>	1/16" x 1/8" In-line Tubing Q.D. (pkg of 5).....	<b>\$21.00</b>
PN <b>0181</b>	1/16" Male (pkg of 5).....	<b>\$6.00</b>
PN <b>0182</b>	1/8" Male (pkg of 5).....	<b>\$7.00</b>
PN <b>0183</b>	Collar (pkg of 5).....	<b>\$5.40</b>
PN <b>0184</b>	1/16" Swivel, w/ O-Ring (pkg of 5).....	<b>\$7.00</b>
PN <b>0185</b>	1/8" Swivel, w/ O-Ring (pkg of 5).....	<b>\$7.50</b>
PN <b>2271</b>	O-Ring (pkg of 12).....	<b>\$7.00</b>



## Inline Needle Valve

PN <b>0870</b>	1/4" x 1/4".....	<b>\$26.00</b>
----------------	------------------	----------------

- Poly to MPT
- 150 PSI working pressure
- Positive seal & flow adjustment

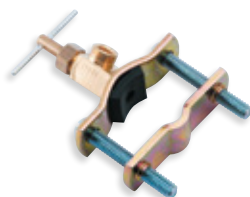


0873

## Right Angle Needle Valves

PN <b>0872</b>	1/4" x 1/8".....	<b>\$26.00</b>
PN <b>0873</b>	1/4" x 1/4".....	<b>\$26.00</b>

- Poly to MPT
- 150 PSI working pressure
- Positive seal & flow adjustment



## Self Drilling Saddle Valve

PN <b>7115</b>	1/4" x 1/8".....	<b>\$14.00</b>
----------------	------------------	----------------

- Used to tap into copper lines
- Self drills into 3/8" to 1 3/8" copper tubing
- Outlet is 1/4" O.D. compression tube fitting



0015

### Poly Male Insert Q.D. w/o Shut-off

PN 0015	1/4" Q.D. w/o shut-off.....	\$8.00
PN 0013	3/8" Q.D. w/o shut-off.....	\$10.50



0014

### Poly Male Insert Q.D. w/ Shut-off

PN 0014	1/4" Q.D. w/ shut-off.....	\$11.00
PN 0012	3/8" Q.D. w/ shut-off.....	\$21.00

- For use w/ water or air



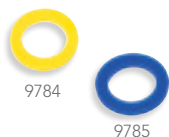
0011

### Poly Q.D. Female Panel Mount w/ Shut-off

PN 0011	1/4" Coupler w/ shut-off.....	\$13.20
PN 0010	3/8" Coupler w/ shut-off.....	\$24.00

- Includes both Yellow & Blue Indicators

FEATURED



9784

9785

### Q.D. Air & Water Indicators

PN 9784	Yellow Air Indicator Washer for 1/4" Q.D. (pkg of 10).....	\$3.10
PN 9785	Blue Water Indicator Washer for 1/4" Q.D. (pkg of 10).....	\$3.10
PN 9786	Yellow Air Indicator Washer for 3/8" Q.D. (pkg of 10).....	\$3.10
PN 9787	Blue Water Indicator Washer for 3/8" Q.D. (pkg of 10).....	\$3.10



0017

### Q.D. Female x MPT w/ Shut-off

PN 0017	1/4" Q.D. x 1/4" MPT.....	\$8.50
PN 0018	1/4" Q.D. x 1/8" MPT.....	\$7.00
PN 0016	3/8" Q.D. x 1/4" MPT.....	\$9.72



### Q.D. Female Panel Mount x 10-32 w/ Shut-off

PN 0006	1/4" Coupler w/ shut-off.....	\$16.00
---------	-------------------------------	---------

- Includes 1/16" & 1/8" barb



### CPC Type Panel Mount Female Q.D. w/ Shut-off

PN 0004	1/4" Coupler w/ shut-off.....	\$43.00
---------	-------------------------------	---------

- Use w/ 0005
- Poly fitting



## CPC Type Panel Mount Male Q.D. w/o Shut-off

PN **0005** 1/4" Q.D. Insert..... **\$17.00**

- For use w/ air only
- Poly fitting
- Use w/ 0004



## Air Hose Quick Connects Male

PN **2081** M Type Male Thread 1/4"..... **\$10.00**



## Air Hose Quick Connects Female

PN **2080** M Type Female Thread 1/4"..... **\$16.00**



## 10-32 Female x Compression Tube Adapter Kit

PN **7111** 1/4" Compression Tube..... **\$4.50**

PN **7112** 3/8" Compression Tube..... **\$5.00**

- Comes w/ barbs & washers



## Q.D. Barb Reducers

PN **9330** 1/16" x 1/4" Compression..... **\$5.00**

PN **9331** 1/16" x 3/8" Compression..... **\$5.00**

PN **9333** 1/8" x 1/4" Compression..... **\$5.00**

PN **9332** 1/8" x 3/8" Compression..... **\$4.20**

- For use on Q.D. when installing Dentsply CaviJet & Cavitron
- Single Piece Design



## Inline Miniature Q.D. w/ Shut-off Male & Female

PN **0007** 1/16" x 10/32"..... **\$19.50**

PN **0008** 1/8" x 10/32"..... **\$17.00**

- Valve stem for shut-off

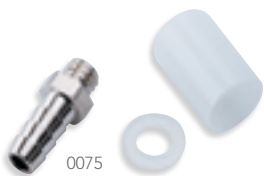




### 1/16" Barb Fitting Plated

PN 0074	10-32 x 1/16" Barb (pkg of 10)	\$4.90
PN 0187	Barb Only (pkg of 100)	\$36.10

- For 1/8" O.D. tubing
- Includes sleeve & washer



### 1/8" Barb Fitting Plated

PN 0075	10-32 x 1/8" Barb (pkg of 10)	\$5.60
PN 0188	Barb Only (pkg of 100)	\$38.00

- For 1/4" O.D. tubing
- Includes sleeve & washer



### 10-32 Hex Plug Plated

PN 0073	10-32 Plug (pkg of 10)	\$4.50
PN 0189	Plug Only (pkg of 100)	\$38.00

- Includes washer



### Barb x 1/8" MPT Adapters

PN 0067	1/16" x 1/8" MPT	\$2.30
PN 0068	1/8" x 1/8" MPT	\$2.30
PN 0991	1/16" Barb x 1/8" MPT 90 Degree Elbow	\$5.00

NEW ITEMS



### Syringe Barbs

PN 0084	8-32 x 1/16" Barb (pkg of 10)	\$6.50
PN 0085	Washer 8-32, nylon (pkg of 10)	\$3.10

- Used on most manufacturers' syringes
- PN 0084 includes washer

NEW ITEM



0071

## 1/8" Clamp Sleeve

PN 0071	(pkg of 10)	\$1.50
PN 0198	(pkg of 100)	\$12.30

- For 1/8" O.D. tubing



0070

## 1/4" Clamp Sleeve

PN 0070	(pkg of 10)	\$2.00
PN 0197	(pkg of 100)	\$16.00

- For 1/4" O.D. tubing



0089

## 1/8" 2 piece "Uni-Clamp"

PN 0089	Uni-Clamp (pkg of 10)	\$3.20
PN 0199	Uni-Clamp (pkg of 100)	\$24.00

- For 1/8" O.D. tubing



## Plastic Sealing Washer

PN 0072	(pkg of 100)	\$4.00
---------	--------------	--------

- For 10-32 fittings



## 1/8" Barb x 10-32 "T" Fitting

PN 0076	1/8" Barb x 10-32 Port (pkg of 5)	\$14.00
---------	-----------------------------------	---------



0078

0077

0079

## Barb to Barb Plated

PN 0077	1/16" In-Line Barb (pkg of 10)	\$5.30
PN 0078	1/8" In-Line Barb (pkg of 10)	\$8.20
PN 0079	1/16" x 1/8" In-Line Barb (pkg of 10)	\$10.00





## Technician Fittings Kit

PN **8781** Technician Fittings Kit.....\$221.50



### Kit Includes:

PN <b>8885</b>	12 Compartment Storage Box	1 ea.
PN <b>0072</b>	10-32 Plastic Washers	100 ea.
PN <b>0077</b>	1/16" Inline Metal Barb	10 ea.
PN <b>0078</b>	1/8" Inline Metal Barb	10 ea.
PN <b>0198</b>	1/8" Plastic Clamp Sleeve	100 ea.
PN <b>0197</b>	1/4" Plastic Clamp Sleeve	25 ea.
PN <b>0064</b>	10-32 Female Cross	10 ea.
PN <b>0189</b>	10-32 Plug	50 ea.
PN <b>0187</b>	10-32 1/16" Metal Barb	50 ea.
PN <b>0188</b>	10-32 1/8" Metal Barb	50 ea.
PN <b>0951</b>	1/8" Metal Tee	20 ea.
PN <b>0952</b>	1/8" Metal Cross	20 ea.

NEW ITEM



## A-dec® 5/16" Barb Fitting

PN **0171** 10-32 x 5/16" Barb (pkg of 10).....\$5.00



## Stepped Barb Fitting

PN **0993** 10-32 x 1/8" x 1/16" Stepped Barb (pkg of 10).....\$24.00  
 PN **0992** 10-32 x 1/8" x 1/16" Stepped Barb (pkg of 1).....\$2.40

- Easily connect 1/8" or 1/4" tubing



## Duck Bill Barb "Check Valve"

PN **0168** Duck Bill Barb.....\$5.50

- Provides handpiece water line suck back control
- High flow rate is 80% of standard barb
- Barb has obvious appearance difference from standard
- Will fit any 10-32 port where standard barb is now used
- Can be used on handpiece or syringe water lines



0066



0105

## Barbed Tubing Plugs

PN <b>0066</b>	1/16" Tubing Plug (pkg of 10)	\$5.70
PN <b>0105</b>	1/8" Tubing Plug (pkg of 10)	\$6.00

- 0066 is for 1/8" O.D. tubing
- 0105 is for 1/4" O.D. tubing

NEW & IMPROVED



0082



0083



0951

## Barb Tee Plastic or Metal

PN <b>0082</b>	1/16" White Plastic (pkg of 10)	\$9.90
PN <b>0083</b>	1/8" White Plastic (pkg of 10)	\$10.30
PN <b>0951</b>	1/16" Metal (1 ea.)	\$4.50

- 0082 & 0951 fit 1/8" O.D. tubing
- 0083 fits 1/4" O.D. tubing



## Barb "T" Plastic Reducing

PN <b>0069</b>	Reducing Barb Tee (pkg of 10)	\$11.00
----------------	-------------------------------	---------

- Measures 1/8" x 1/16" x 1/8"



## Cross Connector "Metal"

PN <b>0952</b>	1/16" Barb Cross	\$7.00
----------------	------------------	--------

- Fits 1/8" O.D. tubing
- Nickel plated

NEW ITEM



## Distribution Manifold

PN <b>4099</b>	Distribution Manifold	\$30.00
----------------	-----------------------	---------

- 9 female 10-32 Ports





### Barb "Y" Plastic

PN 0086	1/16" (pkg of 10)	\$11.60
PN 0087	1/8" (pkg of 10)	\$12.00



### Barb Elbow 10-32

PN 0080	1/16" (pkg of 10)	\$11.50
PN 0081	1/8" (pkg of 10)	\$12.50

- 10-32 Male



### 10-32 Swivel Elbow

PN 0167	10-32 Male Swivel x 10-32 Female	\$6.80
PN 4282	Tee Swivel x 10-32 ASSY, 1/16" barb	\$7.00

NEW ITEM



### 10-32 Female Coupler

PN 0063	10-32 Female Coupler (pkg of 5)	\$6.00
---------	---------------------------------	--------



### 10-32 Male Coupler "Hex Nipple"

PN 0062	10-32 Male Coupler (pkg of 5)	\$4.90
---------	-------------------------------	--------



### 10-32 Male x 1/8" Female Adapter

PN 0942	10-32 x 1/8" FPT	\$8.30
---------	------------------	--------



### 10-32 Tee Fitting

PN 0065	10-32 Female Tee	\$1.60
---------	------------------	--------



### 10-32 Cross 4-Way

PN 0064	10-32 Female Cross	\$1.60
---------	--------------------	--------



## Bushing 10-32 x 1/8" MPT

PN **0091** 10-32 x 1/8" MPT..... **\$3.00**



## Pipe Tee 10-32 x 1/8" MPT

PN **0899** 10-32 x 1/8" MPT..... **\$6.00**



## Cross Connectors

PN **0090** 10-32 x 1/8" MPT..... **\$3.30**



## Cross Connectors

PN **0867** 10-32 Male, 10-32 Fem (3)..... **\$4.50**



## Poly Flow Connector x 10-32

PN **0054** 1/4" x 10-32..... **\$3.20**



0152

## Close Nipple MPT

PN **0835** 1/8" MPT Nipple..... **\$0.80**  
 PN **0152** 1/4" MPT Nipple..... **\$1.20**  
 PN **0153** 3/8" MPT Nipple..... **\$1.70**  
 PN **0154** 1/2" MPT Nipple..... **\$2.00**



0892

## Hex Nipple MPT

PN **0094** 1/8" MPT..... **\$1.35**  
 PN **0891** 1/4" MPT..... **\$2.05**  
 PN **0892** 3/8" MPT..... **\$2.90**



### Long Nipple MPT

PN 0155	1/8" MPT x 1 1/2"	\$2.00
PN 0131	1/4" MPT x 1 1/2"	\$1.70
PN 0157	3/8" MPT x 1 1/2"	\$3.20
PN 0158	1/2" MPT x 2"	\$6.88



### Reducing Nipple MPT

PN 0836	1/4" MPT x 1/8" MPT	\$2.10
PN 0897	3/8" MPT x 1/4" MPT	\$3.50



### Female Couplers & Reducing Couplers

PN 0092	Coupler 1/8" x 1/8"	\$1.35
PN 0143	Coupler 1/4" x 1/4"	\$2.60
PN 0144	Coupler 3/8" x 3/8"	\$3.60
PN 0145	Coupler 1/2" x 1/2"	\$5.80
PN 0133	Reducer 1/4" x 1/8"	\$3.00
PN 0811	Reducer 3/8" x 1/4"	\$4.00
PN 0812	Reducer 1/2" x 1/4"	\$7.60
PN 0900	Reducer 1/2" x 3/8"	\$7.60



### Elbow 90 Degree Female

PN 0838	1/8" FPT Elbow	\$5.00
PN 0149	1/4" FPT Elbow	\$7.50
PN 0150	3/8" FPT Elbow	\$6.50
PN 0151	1/2" FPT Elbow	\$8.00



### Street Elbow Male x Female

PN 0839	1/8" Elbow	\$3.20
PN 0840	1/4" Elbow	\$3.90
PN 0841	3/8" Elbow	\$7.00
PN 0842	1/2" Elbow	\$8.00



0147

## Pipe Tee Female

<b>PN 0837</b>	1/8" FPT Tee.....	<b>\$4.70</b>
<b>PN 0146</b>	1/4" FPT Tee.....	<b>\$4.80</b>
<b>PN 0147</b>	3/8" FPT Tee.....	<b>\$8.00</b>
<b>PN 0148</b>	1/2" FPT Tee.....	<b>\$11.00</b>



## Female Cross

<b>PN 0096</b>	1/8" FPT.....	<b>\$8.00</b>
----------------	---------------	---------------



0141

## Bushing MPT x FPT

<b>PN 0093</b>	1/4" x 1/8" Bushing.....	<b>\$1.50</b>
<b>PN 0140</b>	3/8" x 1/8" Bushing.....	<b>\$2.00</b>
<b>PN 0141</b>	3/8" x 1/4" Bushing.....	<b>\$2.00</b>
<b>PN 0142</b>	1/2" x 1/8" Bushing.....	<b>\$3.80</b>
<b>PN 0834</b>	1/2" x 1/4" Bushing.....	<b>\$3.20</b>
<b>PN 0125</b>	1/2" x 3/8" Bushing.....	<b>\$2.70</b>
<b>PN 0918</b>	3/4" x 3/8" Bushing.....	<b>\$8.00</b>
<b>PN 0917</b>	3/4" x 1/4" Bushing.....	<b>\$12.00</b>
<b>PN 0907</b>	3/4" x 1/2" Bushing.....	<b>\$4.80</b>



0160

## Pipe Plug Hex Head

<b>PN 0097</b>	1/8" MPT Plug.....	<b>\$1.00</b>
<b>PN 0159</b>	1/4" MPT Plug.....	<b>\$1.30</b>
<b>PN 0160</b>	3/8" MPT Plug.....	<b>\$1.90</b>



## Pipe Plug Socket Head

<b>PN 0099</b>	1/8" MPT Plug.....	<b>\$1.10</b>
<b>PN 0098</b>	1/4" MPT Plug.....	<b>\$1.50</b>
<b>PN 0112</b>	3/8" MPT Plug.....	<b>\$2.00</b>
<b>PN 0113</b>	1/2" MPT Plug.....	<b>\$2.00</b>





0832

### Compression Tube x MPT Straight

PN 0127	1/4" Tube x 1/8" MPT.....	\$2.20
PN 0843	3/8" Tube x 1/8" MPT.....	\$2.90
PN 0844	1/4" Tube x 1/4" MPT.....	\$2.70
PN 0832	3/8" Tube x 1/4" MPT.....	\$2.80
PN 0914	3/8" Tube x 3/8" MPT.....	\$3.20
PN 0826	3/8" Tube x 1/2" MPT.....	\$4.80



0845

### Compression Tube x MPT Elbow

PN 0845	1/4" Tube x 1/8" MPT.....	\$3.50
PN 0846	1/4" Tube x 1/4" MPT.....	\$4.00
PN 0847	3/8" Tube x 1/8" MPT.....	\$5.50
PN 0824	3/8" Tube x 1/4" MPT.....	\$5.50



0809

### Union Compression Tube x Compression Tube

PN 0806	1/8" Union.....	\$2.50
PN 0807	1/4" Union.....	\$3.50
PN 0808	5/16" Union.....	\$3.00
PN 0809	3/8" Union.....	\$3.80



0137

### Compression Tube "Tee"

PN 0135	1/4" Union Tee.....	\$5.80
PN 0136	5/16" Union Tee.....	\$5.80
PN 0137	3/8" Union Tee.....	\$6.00
PN 0138	1/2" Union Tee.....	\$18.00
PN 0139	5/8" Union Tee.....	\$17.00



0883

### Compression Nuts

PN 0880	1/8" Compression Nut (pkg of 10).....	\$3.60
PN 0881	1/4" Compression Nut (pkg of 10).....	\$4.10
PN 0882	5/16" Compression Nut (pkg of 10).....	\$9.00
PN 0823	3/8" Compression Nut (pkg of 10).....	\$9.00



## Compression "Female" Sleeves

PN <b>0801</b>	1/8" Brass Sleeve (pkg of 10)	\$2.30
PN <b>0920</b>	1/4" Brass Sleeve (pkg of 10)	\$2.10
PN <b>0921</b>	5/16" Brass Sleeve (pkg of 10)	\$2.00
PN <b>0922</b>	3/8" Brass Sleeve (pkg of 10)	\$4.10
PN <b>0923</b>	1/2" Brass Sleeve (pkg of 10)	\$4.20



## MPT Adapters x Compression Tube

PN <b>0100</b>	1/8" MPT x 3/8"	\$3.80
PN <b>0102</b>	1/4" MPT x 3/8"	\$8.20
PN <b>0904</b>	1/2" MPT x 3/8"	\$8.20



## Flare x MPT Straight Connectors

PN <b>0813</b>	1/4" x 1/4"	\$3.00
PN <b>0815</b>	3/8" x 1/4"	\$2.50



## Flare Nuts

PN <b>0889</b>	1/4" Flare Nut	\$1.00
PN <b>0890</b>	3/8" Flare Nut	\$1.50



### TECH TIP

**TRYING TO SOLVE  
A TOUGH TECHNICAL  
PROBLEM?**

Visit the DCI Service Forum at [www.dcionline.com](http://www.dcionline.com) or the DCI Video Library where you can collaborate with fellow technicians and find the answers to the most challenging dental repairs!







### Push to Connect Fittings

PN <b>9341</b>	Swivel Elbow 1/8" NPT x 1/4" Quick Connect.....	<b>\$8.50</b>
PN <b>9342</b>	Straight Fitting 1/8" NPT x 1/4" Quick Connect.....	<b>\$6.00</b>
PN <b>9343</b>	Swivel Elbow 1/4" NPT x 1/4" Quick Connect.....	<b>\$19.50</b>



### Poly x Compression Tubing

PN <b>0044</b>	1/4" Poly x 3/8" Compression.....	<b>\$5.40</b>
PN <b>0864</b>	3/8" Poly x 3/8" Compression.....	<b>\$5.50</b>



### Poly x MPT Male Fittings

PN <b>0053</b>	1/4" x 1/8".....	<b>\$2.00</b>
PN <b>0052</b>	1/4" x 1/4".....	<b>\$2.70</b>
PN <b>0048</b>	5/16" x 1/8".....	<b>\$2.55</b>
PN <b>0049</b>	5/16" x 1/4".....	<b>\$3.80</b>
PN <b>0051</b>	3/8" x 1/8".....	<b>\$2.80</b>
PN <b>0050</b>	3/8" x 1/4".....	<b>\$3.00</b>
PN <b>0119</b>	3/8" x 3/8".....	<b>\$6.70</b>
PN <b>9339</b>	1/4" x 3/8".....	<b>\$7.40</b>



### Poly x 10-32 Male Fitting

PN <b>0054</b>	1/4" x 10-32.....	<b>\$3.20</b>
----------------	-------------------	---------------



### Poly x MPT Elbow Fittings

PN <b>0042</b>	1/8" x 1/8".....	<b>\$2.70</b>
PN <b>0061</b>	1/4" x 1/8".....	<b>\$3.00</b>
PN <b>0060</b>	1/4" x 1/4".....	<b>\$3.10</b>
PN <b>0936</b>	1/4" x 3/8".....	<b>\$7.50</b>
PN <b>0047</b>	5/16" x 1/8".....	<b>\$4.90</b>
PN <b>0059</b>	3/8" x 1/8".....	<b>\$5.00</b>
PN <b>0058</b>	3/8" x 1/4".....	<b>\$6.00</b>



### Poly x Long MPT Elbow Fitting

PN <b>9338</b>	Long Male Elbow 1/4" Poly x 1/4" MPT.....	<b>\$20.00</b>
----------------	---	----------------

- For water supply to vacuum pump impeller housing
- When using on vacuum pump, replace poly nut w/ metal sleeve



### Poly Run Tee x MPT

PN 0041	1/4" x 1/8"	\$6.20
PN 0040	1/4" x 1/4"	\$6.20



### Poly x FPT Straight Connectors

PN 0057	1/4" x 1/8"	\$1.80
PN 0056	1/4" x 1/4"	\$3.30
PN 0114	5/16" x 1/8"	\$7.50
PN 0055	3/8" x 1/4"	\$3.30



### Poly Union

PN 0032	1/4" x 1/4"	\$2.50
PN 0033	5/16" x 5/16"	\$4.10
PN 0031	3/8" x 3/8"	\$3.00



### Poly Reducing Unions

PN 0030	3/8" x 1/4"	\$5.10
---------	-------------	--------



### Poly x Compression Tube Unions

PN 0045	1/4" x 1/4"	\$7.90
PN 0034	3/8" x 3/8"	\$8.00



### Poly Tees

PN 0036	1/4"	\$6.00
PN 0038	5/16"	\$9.00
PN 0035	3/8"	\$6.80
PN 0037	1/4" x 3/8" x 3/8"	\$10.00



### Poly Nut & Sleeve

PN 0021	1/4" Poly Nut & Sleeve (pkg of 5)	\$4.50
PN 0019	5/16" Poly Nut & Sleeve (pkg of 5)	\$5.00
PN 0020	3/8" Poly Nut & Sleeve (pkg of 5)	\$4.50





0023

## Poly Sleeve "Ferrule"

PN 0023	1/4" Poly Sleeve (pkg of 10)	\$4.55
PN 0027	5/16" Poly Sleeve (pkg of 10)	\$4.55
PN 0022	3/8" Poly Sleeve (pkg of 10)	\$4.55



0025

## Poly Plugs

PN 0025	1/4" Poly Plug (pkg of 5)	\$3.00
PN 0026	5/16" Poly Plug (pkg of 5)	\$5.50
PN 0024	3/8" Poly Plug (pkg of 5)	\$3.00

- Comes w/ barbs & washers



0851

0854



0858



0856



0850

## Garden Hose Adapters

PN 0851	3/4" Garden Hose Male x 3/8" Male Pipe	\$5.60
PN 0852	3/4" Garden Hose Male x 1/2" Male Pipe	\$6.60
PN 0853	3/4" Garden Hose Female x 1/4" Male Pipe	\$4.65
PN 0854	3/4" Garden Hose Female x 3/8" Male Pipe	\$4.65
PN 0855	3/4" Garden Hose Female x 1/4" Male Barb Fitting	\$3.60
PN 0856	3/4" Garden Hose Female x 3/8" Male Barb Fitting	\$3.60
PN 0858	3/4" Garden Hose Female x 3/4" Male Barb Fitting	\$9.20
PN 0850	Hose Washer (pkg of 10)	\$3.60



0943

## Plastic Vacuum Adapters

### TUBING SIZES

PN 0943	1/2" x 1/2"	\$2.00
PN 0944	1/2" x 5/8"	\$2.00
PN 0945	1/2" x 7/8"	\$6.30
PN 0947	5/8" x 5/8"	\$2.00
PN 0946	5/8" x 7/8"	\$8.00
PN 0948	3/4" x 3/4"	\$2.50



## Plastic Barbed "Y" Fitting

PN **0994** 1/2" x 1/2" x 1/2" Barbed Y..... **\$4.10**



## Plastic Straight Male Adapters

PN **0959** 1/2" MPT x 1/2" Barb..... **\$1.40**  
 PN **0979** 3/4" MPT x 1/2" Barb..... **\$2.00**  
 PN **0960** 1/2" MPT x 5/8" Barb..... **\$2.30**  
 PN **0961** 3/4" MPT x 5/8" Barb..... **\$2.10**  
 PN **0978** 1/2" MPT x 3/4" Barb..... **\$2.10**  
 PN **0980** 3/4" MPT x 3/4" Barb..... **\$2.10**  
 PN **0981** 3/4" MPT x 1" Barb..... **\$2.70**  
 PN **0982** 1" MPT x 1" Barb..... **\$2.50**



## Plastic Elbow Male Adapters

PN **0966** 1/2" MPT x 1/2" Barb..... **\$2.10**  
 PN **0973** 3/4" MPT x 1/2" Barb..... **\$2.60**  
 PN **0971** 1/2" MPT x 5/8" Barb..... **\$1.80**  
 PN **0974** 3/4" MPT x 5/8" Barb..... **\$2.60**  
 PN **0972** 1/2" MPT x 3/4" Barb..... **\$2.60**  
 PN **0975** 3/4" MPT x 3/4" Barb..... **\$3.10**  
 PN **0976** 3/4" MPT x 1" Barb..... **\$3.10**  
 PN **0977** 1" MPT x 1" Barb..... **\$3.10**



## Plastic Elbow Female Adapters

PN **0967** 1/2" FPT x 1/2" Barb..... **\$2.30**  
 PN **0968** 1/2" FPT x 5/8" Barb..... **\$3.50**



## Plastic Barbed "T" Fittings

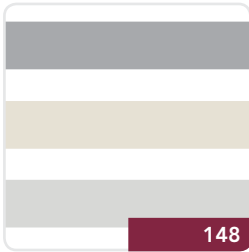
PN **0964** 1/2" x 1/2" x 1/2" Barbed Tee..... **\$1.60**  
 PN **0965** 5/8" x 5/8" x 5/8" Barbed Tee..... **\$1.80**  
 PN **0970** 5/8" x 5/8" x 1/2" Barbed Tee..... **\$1.80**



## Plastic Barb x Barb Elbow

PN **0962** 1/2" x 1/2" Barbed Elbow..... **\$2.30**  
 PN **0983** 5/8" x 5/8" Elbow..... **\$1.80**





148

Color Chart



149

Handpiece Tubing



150

Syringe, Prophy &  
Cavitron Tubing



151 – 152

Foot Control/Saliva  
Ejector Tubing



152 – 153

Vacuum Tubing, Floor  
Flanges & Cuffs



154

Supply Tubing



## TECH TIP

### Tubing Installation Tips

When it comes to tubing, there are three tools that make life so much easier.

1

#### Rubbing Alcohol

Helps the tube slide over the barb easier.

2

#### PN 8089 Sleeve Tool

Gives you a hand to push 1/8" and 1/4" sleeves on.

3

#### PN 8621 Tubing Stripper

Cut tubing, such as handpiece and foot control tubing, into individual strands.

## Dark Surf

The following dental manufacturers offer Dark Surf tubing: A-dec®, Midmark®

## Gray

The following dental manufacturers offer Gray tubing: DCI, Belmont, Sirona, Dentech®

## Light Sand

The following dental manufacturers offer Lt. Sand tubing: Royal / Proma, Engle, Boyd Dental

## Sterling

The following dental manufacturers offer Sterling tubing: Pelton & Crane®, DentaleZ, Marus® Dental, DCI Equipment, Beaverstate, Forest

## Black

The following dental manufacturers offer Black tubing: Forest & Boyd





## Asepsis 4-Hole Handpiece Tubing

<u>DARK SURF</u>	<u>GRAY</u>	<u>LT SAND</u>	<u>STERLING</u>	<u>BLACK</u>	
435T	432T	433T	436T	431T	Straight 7 ft. w/ Connector..... <b>\$22.00</b>
435	432	433	436	431	Straight (per ft.)..... <b>\$1.30/ft.</b>
435R	432R	433R	436R	431R	100 ft. Roll..... <b>\$96.00</b>
435B	432B	433B	436B	431B	100 ft. Box..... <b>\$96.00</b>
435CT	432CT	433CT	436CT	431CT	Coiled w/ Connector..... <b>\$33.00</b>

432



## Asepsis 3-Hole Handpiece Tubing

<u>GRAY</u>		
322T	Straight 7 ft. w/ Connector.....	<b>\$22.70</b>
322	Straight (per ft.).....	<b>\$1.06/ft.</b>
322R	100 ft. Roll.....	<b>\$90.00</b>
322B	100 ft. Box.....	<b>\$90.00</b>
322CT	Coiled w/ Connector.....	<b>\$27.00</b>

322



## Standard 4-Hole Handpiece Tubing

<u>GRAY</u>		
402T	Straight 7 ft. w/ Connector.....	<b>\$18.00</b>
402	Straight (per ft.).....	<b>\$1.12/ft.</b>
402R	100 ft. Roll.....	<b>\$86.00</b>
402B	100 ft. Box.....	<b>\$86.00</b>
402CT	Coiled w/ Connector.....	<b>\$30.00</b>

402



## Standard 3-Hole Handpiece Tubing

<u>GRAY</u>		
302T	Straight 7 ft. w/ Connector.....	<b>\$21.00</b>
302	Straight (per ft.).....	<b>\$1.20/ft.</b>
302R	100 ft. Roll.....	<b>\$80.00</b>
302B	100 ft. Box.....	<b>\$80.00</b>
302CT	Coiled w/ Connector.....	<b>\$26.00</b>

302



## Standard 2-Hole Handpiece Tubing

<u>GRAY</u>		
212	Straight (per ft.).....	<b>\$ .90/ft.</b>
212R	100 ft. Roll.....	<b>\$90.00</b>
212B	100 ft. Box.....	<b>\$90.00</b>

212



## Sheathed 3-Hole Syringe Tubing

DARK SURF | GRAY

**645** | **646** Straight (per ft.) (A-dec® #024.155.02 Dark Surf) & (A-dec® #024.223.02 Gray)..... **\$1.20/ft.**



## Asepsis 2-Hole Syringe Tubing

DARK SURF | GRAY | LT SAND | STERLING | BLACK

**235** | **232** | **233** | **236** | **231** Straight (per ft.)..... **\$.60/ft.**  
**235R** | **232R** | **233R** | **236R** | **231R** 100 ft. Roll..... **\$48.00**  
**235B** | **232B** | **233B** | **236B** | **231B** 100 ft. Box..... **\$48.00**  
**235C** | **232C** | **233C** | **236C** | **231C** Coiled..... **\$13.60**



## Standard 2-Hole Syringe Tubing

GRAY

**222** Straight (per ft.)..... **\$.70/ft.**  
**222R** 100 ft. Roll..... **\$51.00**  
**222B** 100 ft. Box..... **\$51.00**  
**222C** Coiled..... **\$11.00**



## Standard 3-Hole Syringe Tubing

GRAY

**332** Straight (per ft.)..... **\$1.50/ft.**  
**332R** 100 ft. Roll..... **\$101.00**  
**332B** 100 ft. Box..... **\$101.00**  
**332C** Coiled..... **\$19.00**



## Ultrasonic Scaler Tubing 7 ft. Length

**PN 640** Straight..... **\$25.00**



## Prophy Tubing 7 ft. Length

GRAY | BLACK

**631** | **630** For Dentsply / Cavitron Prophy-Jet Model C-100 & C-200..... **\$25.80**  
**636** | **635** For Dentsply / Cavitron Prophy-Jet Model C-300 & Cavi-Jet Model G105..... **\$30.00**





653

## Sheathed Asepsis 5-Hole Foot Control Tubing

PN **653** Sheathed Asepsis 5-Hole Foot Control Tubing, Dark Surf (per ft.)  
(A-dec® #024.202.01) (Midmark #053-1709-00)..... **\$6.40**

PN **654** Sheathed Asepsis 5-Hole Foot Control Tubing, Gray (per ft.)  
(A-dec #024.214.01) (Midmark #053-1709-00)..... **\$6.40**

- Polyurethane
- 2 ea. - 5/16" tubings
- 3 ea. - 1/8" tubings
- A-dec® 300 or 500 only



426

## Asepsis 4-Hole Foot Control Tubing

Polyurethane

<u>DARK SURF</u>	<u>GRAY</u>		
<b>428</b>	<b>426</b>	Straight (per ft.).....	<b>\$3.00/ft.</b>
<b>428R</b>	<b>426R</b>	100 ft. Roll.....	<b>\$236.00</b>
<b>428B</b>	<b>426B</b>	100 ft. Box.....	<b>\$236.00</b>



252

## Asepsis 2-Hole Foot Control Tubing

Vinyl / Gray

<b>252</b>	Straight (per ft.).....	<b>\$1.20/ft.</b>
<b>252R</b>	100 ft. Roll.....	<b>\$94.00</b>
<b>252B</b>	100 ft. Box.....	<b>\$94.00</b>

Polyurethane / Gray

<b>253</b>	Straight (per ft.).....	<b>\$2.15/ft.</b>
<b>253R</b>	100 ft. Roll.....	<b>\$210.00</b>
<b>253B</b>	100 ft. Box.....	<b>\$210.00</b>



511

## Standard 5-Hole Foot Control Tubing

Polyurethane

<u>DARK SURF</u>	<u>GRAY</u>	<u>LT SAND</u>	<u>STERLING</u>		
<b>511</b>	<b>512</b>	<b>510</b>	<b>513</b>	Straight (per ft.).....	<b>\$3.10/ft.</b>
<b>511R</b>	<b>512R</b>	<b>510R</b>	<b>513R</b>	100 ft. Roll.....	<b>\$260.00</b>
<b>511B</b>	<b>512B</b>	<b>510B</b>	<b>513B</b>	100 ft. Box.....	<b>\$260.00</b>



421

## Standard 4-Hole Foot Control Tubing

Polyurethane

<u>DARK SURF</u>	<u>GRAY</u>	<u>LT SAND</u>	<u>STERLING</u>		
<b>427</b>	<b>423</b>	<b>425</b>	<b>421</b>	Straight (per ft.).....	<b>\$2.50/ft.</b>
<b>427R</b>	<b>423R</b>	<b>425R</b>	<b>421R</b>	100 ft. Roll.....	<b>\$220.00</b>
<b>427B</b>	<b>423B</b>	<b>425B</b>	<b>421B</b>	100 ft. Box.....	<b>\$220.00</b>

Vinyl / Gray

<b>422</b>	Straight (per ft.).....	<b>\$1.30/ft.</b>
<b>422R</b>	100 ft. Roll.....	<b>\$116.00</b>
<b>422B</b>	100 ft. Box.....	<b>\$116.00</b>



343

## Standard 3-Hole Foot Control Tubing

Polyurethane

<u>DARK SURF</u>	<u>GRAY</u>	<u>LT SAND</u>	<u>STERLING</u>		
<b>350</b>	<b>343</b>	<b>348</b>	<b>349</b>	Straight (per ft.)	<b>\$1.90/ft.</b>
<b>350R</b>	<b>343R</b>	<b>348R</b>	<b>349R</b>	100 ft. Roll	<b>\$164.00</b>
<b>350B</b>	<b>343B</b>	<b>348B</b>	<b>349B</b>	100 ft. Box	<b>\$164.00</b>



243

## Standard 2-Hole Foot Control Tubing

Polyurethane

<u>DARK SURF</u>	<u>GRAY</u>	<u>LT SAND</u>	<u>STERLING</u>		
<b>256</b>	<b>243</b>	<b>255</b>	<b>246</b>	Straight (per ft.)	<b>\$1.44/ft.</b>
<b>256R</b>	<b>243R</b>	<b>255R</b>	<b>246R</b>	100 ft. Roll	<b>\$130.00</b>
<b>256B</b>	<b>243B</b>	<b>255B</b>	<b>246B</b>	100 ft. Box	<b>\$130.00</b>

Vinyl / Gray

<b>242</b>	Straight (per ft.)	<b>\$.80/ft.</b>
<b>242R</b>	100 ft. Roll	<b>\$70.00</b>
<b>242B</b>	100 ft. Box	<b>\$70.00</b>



S601

## 3/16" I.D. Vinyl Saliva Ejector Tubing

<u>COLOR</u>	<u>PER FT.</u>	<u>100 FT. ROLL</u>	<u>100 FT. BOX</u>
	<b>\$.80</b>	<b>\$64.00</b>	<b>\$64.00</b>
Dark Surf	<b>S615</b>	<b>S615R</b>	<b>S615B</b>
Gray	<b>S601</b>	<b>S601R</b>	<b>S601B</b>
Lt Sand	<b>S603</b>	<b>S603R</b>	<b>S603B</b>
Sterling	<b>S605</b>	<b>S605R</b>	<b>S605B</b>



S611

## 7/32" I.D. Vinyl Saliva Ejector Tubing

<u>COLOR</u>	<u>PER FT.</u>	<u>100 FT. ROLL</u>	<u>100 FT. BOX</u>
	<b>\$.70</b>	<b>\$71.00</b>	<b>\$71.00</b>
Gray	<b>S611</b>	<b>S611R</b>	<b>S611B</b>
Sterling	<b>S610</b>	<b>S610R</b>	<b>S610B</b>



737

## Asepsis Smooth Wall Vacuum Tubing

		<u>PER FT.</u>
PN <b>737</b>	1/2" I.D. Dark Surf (per ft.)	<b>\$2.30</b>
PN <b>733</b>	1/2" I.D. Gray (per ft.)	<b>\$2.30</b>
PN <b>734</b>	1/2" I.D. Light Sand (per ft.)	<b>\$2.30</b>
PN <b>742</b>	1/2" I.D. Sterling (per ft.)	<b>\$2.30</b>
PN <b>744</b>	1/2" I.D. Black (per ft.)	<b>\$2.30</b>



732

## Asepsis Vacuum Tubing

		<u>PER FT.</u>
PN <b>731</b>	1/2" I.D. Gray (per ft.)	<b>\$2.50</b>
PN <b>732</b>	5/8" I.D. Gray (per ft.)	<b>\$3.80</b>
PN <b>743</b>	1/2" I.D. Light Sand (per ft.)	<b>\$2.50</b>
PN <b>739</b>	5/8" I.D. Sterling (per ft.)	<b>\$3.80</b>

722



### Asepsis "Sheathed" Corrugated Tubing

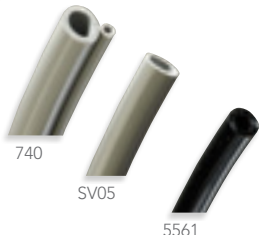
PER FT.

PN 721	1/2" I.D. Gray (per ft.)	\$7.50
PN 722	1" I.D. Gray (per ft.)	\$5.60

740

SV05

5561



### Specialty Vacuum Tubing

PN 740	Flush Cup Tubing, Gray (per ft.)	\$6.50/ft.
PN SV05	1/2" I.D. Drain Tubing, Gray (per ft.)	\$2.00/ft.
PN SV05R	1/2" I.D. Drain Tubing, Gray (100 ft. Roll)	\$167.00
PN 752	3/8" I.D., Clear PVC Convuluted	\$2.20/ft.

704



### Standard Corrugated Tubing

GRAY	STERLING		PER FT.
701	713	1/2" I.D. Tubing	\$2.25
703	714	5/8" I.D. Tubing	\$2.40
704	715	3/4" I.D. Tubing	\$2.70
705	716	1" I.D. Tubing	\$2.80
706	717	1 1/4" I.D. Tubing	\$3.20
707	718	1 1/2" I.D. Tubing	\$4.00
708	719	1 3/4" I.D. Tubing	\$5.40
709	720	2" I.D. Tubing	\$6.20

9350



### Stainless Steel Hose Clamps

PN 9350	Stainless Steel Hose Clamps 3/8" - 7/8" (pkg of 10)	\$18.00
PN 9351	Stainless Steel Hose Clamps 1/2" - 1 1/4" (pkg of 10)	\$20.00
PN 9352	Stainless Steel Hose Clamps 3/4" - 1 3/4" (pkg of 10)	\$22.00
PN 9353	Stainless Steel Hose Clamps 1 1/4" - 2 1/4" (pkg of 10)	\$24.00

8664



### Floor Flange

PN 8660	9/16" I.D. For Foot Control Tubing, 2" O.D.	\$26.00
PN 8663	1 3/8" I.D. For 1" Vac Tubing, 3" O.D.	\$34.00
PN 8664	1 5/8" I.D. For 1 1/4" Vac Tubing, 3" O.D.	\$38.00



### Tubing Cuffs

PN 8611	For 5/8" I.D. Tubing	\$3.50
PN 8612	For 3/4" I.D. Tubing	\$4.00
PN 8613	For 1" I.D. Tubing	\$3.50
PN 8614	For 1 1/4" I.D. Tubing	\$4.00
PN 8615	For 1 1/2" I.D. Tubing	\$7.00
PN 8616	For 2" I.D. Tubing	\$7.50



1202

## 1/8" O.D. Polyurethane Supply Tubing

COLOR	PER FT.	100 FT. ROLL	100 FT. BOX
	<b>\$28</b>	<b>\$20.00</b>	<b>\$20.00</b>
Black	1201	1201R	1201B
Blue	1202	1202R	1202B
Clear	1203	1203R	1203B
Green	1204	1204R	1204B
Gray	1205	1205R	1205B
Orange	1206	1206R	1206B
Red	1207	1207R	1207B
Yellow	1208	1208R	1208B



1405

## 1/4" O.D. Polyurethane Supply Tubing

COLOR	PER FT.	100 FT. ROLL	100 FT. BOX
	<b>\$.64</b>	<b>\$54.00</b>	<b>\$54.00</b>
Black	1401	1401R	1401B
Blue	1402	1402R	1402B
Clear	1403	1403R	1403B
Green	1404	1404R	1404B
Gray	1405	1405R	1405B
Orange	1406	1406R	1406B
Red	1407	1407R	1407B
Yellow	1408	1408R	1408B
White	1409	1409R	1409B
Lt. Sand	1417	1417R	1417B
Dark Surf	1418	1418R	1418B
Sterling Gray	1419	1419R	1419B

FEATURED



1706

## 5/16" O.D. Polyurethane Supply Tubing

COLOR	PER FT.	100 FT. ROLL	100 FT. BOX
	<b>\$3.20</b>	<b>\$120.00</b>	<b>\$120.00</b>
Black	1701	1701R	1701B
Blue	1702	1702R	1702B
Clear	1703	1703R	1703B
Orange	1706	1706R	1706B
Yellow	1708	1708R	1708B

• 5/16" OD tubing is used by A-dec®



1608

## 3/8" O.D. Polyurethane Supply Tubing

COLOR	PER FT.	100 FT. ROLL	100 FT. BOX
	<b>\$1.20</b>	<b>\$120.00</b>	<b>\$120.00</b>
Blue	1602	1602R	1602B
Clear	1603	1603R	1603B
Gray	1605	1605R	1605B
Yellow	1608	1608R	1608B



# Service, Cabinet & Analgesia



156 – 162

Tools



163

X-Ray Exposure  
Switches



164 – 166

Electrical Accessories



167 – 168

Repair Kits



169 – 171

O-Rings



172 – 173

Analgesia  
Components



174

Tapmaster®  
Cabinet Parts



175 – 176

Cabinet Components



## TECH TIP

### Tools that are helpful on just about every job:

#### PN 9325 Hemostats

Have at least 3 in every tool bag.

#### PN 9705 Hex Wrench Set, Standard

The ball end allows the tech to get into tight spaces where a straight-on approach is not possible.

#### PN 9288 Panel Wrench

The 9/16" wrench allows for easy, non-scratch access in tight places.

#### PN 8089 Combo

##### Sleeve Tool 1/8" & 1/4"

Save your fingers and ensure your sleeve is seated properly.

#### PN 8621 Tubing Stripper

Allows quick separation of tubing.

#### PN 9287 DCI 3-in-1 Syringe Tool

Makes syringe repairs quick and easy.



### DCI Hemostat

PN **9325** Hemostat..... **\$11.00**



### DCI Hex Wrench Sets

PN **9705** Hex Wrench Set, Standard..... **\$27.00**  
 PN **9706** Hex Wrench Set, Metric..... **\$34.00**

- Long arm series
- Heat treated alloy steel, black finish
- Available in standard & metric sizes
- Ball driver end



### Panel Wrench

PN **9288** Panel Wrench..... **\$2.50**

- Great for installing toggles & other 9/16" nuts



### Metal Sleeve Tool

PN **8061** Sleeve Tool Metal 1/8"..... **\$20.00**  
 PN **8062** Sleeve Tool Metal 1/4"..... **\$20.00**  
 PN **8089** Combo Sleeve Tool 1/8" & 1/4"..... **\$20.00**

- Plated metal construction
- Ends angled 45° and 90°



### Plastic Sleeve Tool

PN **8060** Sleeve Tool Plastic..... **\$16.00**

- For 1/4" and 1/8" sleeves
- For 1/8" I.D. uni-clamp
- Durable plastic

NEW ITEM



### O-Ring Tools

PN **9316** O-Ring Tool Kit (A-dec® #009.013.00)..... **\$24.00**

- Aids in installing O-Rings onto stems
- 3 sizes: .199, .166, .100





### Ball Driver 3/32

PN **9700** 3/32" Ball Driver..... **\$5.00**

- Use for adjusting syringe flow & handpiece pressure
- Plastic handle



### Pelton & Crane® Socket Retractor

PN **9289** Pelton & Crane® Socket Retractor..... **\$3.00**



Check out the DCI Video Library for how to use the P&C socket retractor!



### Gas Spring Adjusting Tool

PN **8697** (Pelton & Crane® #016749)..... **\$22.00**

- For use w/ Pelton & Crane® LFII
- 5/16" Hex



### 4 Hole Tubing Splice Connector

PN **0954** Tubing Connector..... **\$9.00**



### Tubing Cutter

PN **8620** Tubing Cutter..... **\$16.00**

PN **8622** Replacement Blade..... **\$8.80**



### Copeland Compressor Sight Glass Tool

PN **2633** Sight Glass Tool (MDT #301789)..... **\$25.00**

*These parts are manufactured by DCI to fit Pelton & Crane® equipment. DCI has no affiliation with Pelton & Crane. DCI replacement parts are not manufactured under license or supervision of Pelton & Crane®.*



### Tubing Stripper

PN **8621** Tubing Stripper..... **\$1.80**



### Post Leveling Tools

PN **8668** Magnetic..... **\$12.00**

- Use for quick & easy leveling of light and unit posts
- Vertical & horizontal
- 8668 attaches to post magnetically



### DCI 3-in-1 Syringe Tool

PN **9287** DCI 3-in-1 Syringe Tool..... **\$8.00**

- Includes Valve Core Tool, Quick-Change® Adapter Tool & Button Pin Removal Tool

IMPROVED



### A-dec® Syringe Tools

PN **9286** A-dec® Syringe Tool (A-dec® #98.0010.00)..... **\$16.00**

- Valve core, tip tool & button retaining screw tool



### Forest Syringe Button Multi Tool

PN **3033** Forest Syringe Button Multi Tool..... **\$2.50**

- Wrench end for barbs
- Hex for tip adapter nut
- Wrench for Forest style buttons



### Syringe Button Removal Tool

PN **8059** Syringe Button Removal Tool..... **\$12.00**



### Syringe Nut Wrench

PN **3097** Syringe Nut Wrench..... **\$1.75**



### Valve Core Tool

PN **3096** Valve Core Tool..... **\$3.00**

*These parts are manufactured by DCI to fit A-dec® equipment. DCI has no affiliation with A-dec Inc. DCI replacement parts are not manufactured under license or supervision of A-dec®.*





**Burr Wrench Universal**

PN **8625** Universal, Square Drive..... **\$21.00**



**Burr Wrenches Midwest**

PN **8627** For Midwest Quiet Air..... **\$21.00**  
 PN **8628** For Midwest 8000/Trad..... **\$20.00**



**Handpiece Repair Tool**

PN **4706** Handpiece Waterline Tool..... **\$200.00**

- Quickly & easily clear plugged water line in handpiece



**Air Service Tool**

PN **8063** Service Tool..... **\$25.00**  
 PN **0955** Replacement Barb..... **\$4.40**

- Provides air for cleaning tubing or testing components
- 4-hole Midwest connector

FEATURED



**Handpiece Pressure Test Gauge**

PN **7267** Handpiece Pressure Gauge..... **\$26.00**  
 PN **7281** Replacement Gauge..... **\$15.00**

- Measures drive air pressure w/ handpiece running
- 0-100 PSI gauge
- Fits both 6 pin & 5 hole handpieces



7262

### Economy Test Gauge

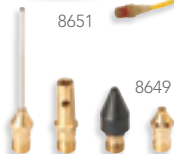
PN 7262	Test Gauge.....	\$26.00
PN 0955	Replacement Barb.....	\$4.40

- Replaceable barb for use w/ 1/8" or 1/16" I.D. tubing
- 0-160 PSI gauge

FEATURED



8651



8649

### Blow Gun

PN 8651	Blow Gun w/ 10 ft. Coil.....	\$47.00
PN 8650	Blow Gun Only.....	\$19.00
PN 8655	10 ft. Coil Tubing Only.....	\$30.00
PN 8649	Tip Kit.....	\$29.00

- 125 PSI working pressure
- Lever operated
- 1/4" FPT connection
- Available w/ 10' coiled tubing (yellow) w/ 1/4" MPT fittings



### Umbilical Tubing Stringer

PN 8094	Tubing Stringer.....	\$34.00
---------	----------------------	---------

- Use to pull 1/8" & 1/4" tubing through existing umbilical
- 12' long
- Flexible



### Loctite

PN 8021	Threadlock 242 / 0.34 oz.....	\$33.00
PN 8024	Superbond 409 / 0.10 oz.....	\$11.00



### All Purpose Lube

PN 8032	All Purpose Lube.....	\$16.50
---------	-----------------------	---------

- Moisture resistant
- Teflon base lubricant
- Net wt. 1 1/2 oz.
- Not recommended for O-Rings



8031



8034

### Silicone O-Ring Lube

PN 8031	Parker Super O-Ring Lube, Net wt. 2 oz.....	\$32.00
PN 8034	Silicone Lubricant, Net wt .04 oz (pkg of 5).....	\$7.00

- Moisture resistant
- Silicon base lubricant
- For synthetic & rubber O-Rings





## Valve Cleaning Brushes

PN 5620	HVE Brush (3 3/4" bristles) (pkg of 5)	\$10.00
PN 5621	SE Brush (3" bristles) (pkg of 5)	\$11.00
PN 5622	Small Brush (pkg of 5)	\$20.00

FEATURED



## Silicone Lubricant Spray

GROUND SHIPMENT ONLY

PN 6814	Silicon Lubricant Spray	\$21.20
---------	-------------------------	---------

- For general lubricating purposes
- Leaves no oily residues



## White Lithium Grease Spray

GROUND SHIPMENT ONLY

PN 6817	White Lithium Grease Spray	\$14.00
---------	----------------------------	---------

- Heavy duty lubricant
- Best for pivot points, bushings & bearings



## Teflon Tape

PN 9951	Teflon Tape, 1/2"	\$2.20
PN 9950	Teflon Tape, 1/4"	\$3.00



## Wall Anchors

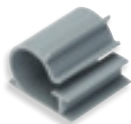
PN 6815	Nylon Wall Anchors w/ Screw (pkg of 25)	\$7.40
PN 6816	Metal Wall Anchors w/ Screw (pkg of 25)	\$9.30



## Insert Nut 1/4-20x13

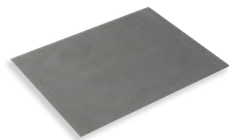
PN 9340	Insert Nut 1/4-20x13 (pkg of 12)	\$4.00
---------	----------------------------------	--------

- For under counter mounting



### Adhesive Clamp, 3/4"

PN **9043** Adhesive Clamp, 3/4", Gray (pkg of 5)..... **\$6.00**



### Diaphragm Sheet Stock

PN **9001** 11" x 8 1/2"..... **\$25.00**

- 11" x 8 1/2" Sheet
- .013" Thick



### Adjustable Tie "Mount"

PN **8045** Cable Tie-Mount (pkg of 10)..... **\$4.60**



### Adjustable Tie Clamp

PN **8054** 4" Cable Tie (pkg of 10)..... **\$1.00**

PN **8055** 5" Cable Tie (pkg of 10)..... **\$1.10**

PN **8058** 8" Cable Tie (pkg of 10)..... **\$3.20**



### Heyco Snap-In Bushings

PN **9234** Heyco Snap-In Bushing, 1/2", Black (pkg of 5)..... **\$1.00**

PN **9235** Heyco Snap-In Bushing, 3/4", Black (pkg of 5)..... **\$1.50**

PN **9236** Heyco Snap-In Bushing, 1 1/2", Black (pkg of 5)..... **\$3.50**



### Cable Clamp

PN **8074** 1/4" Cable Clamp (pkg of 10)..... **\$2.20**

PN **8078** 1/2" Cable Clamp (pkg of 10)..... **\$3.30**

PN **8082** 3/4" Cable Clamp (pkg of 10)..... **\$4.40**

PN **8090** 1 1/4" Cable Clamp (pkg of 10)..... **\$8.60**



## Low Profile X-ray Switch w/ Stainless Plate

PN 7134 Low Profile X-ray Switch w/ Stainless Plate.....\$60.00

- Recessed button prevents accidental exposure



## Economy X-Ray Exposure Switch Kits

PN 7116 X-Ray Exposure Switch Kit, Stainless Steel.....\$16.50

PN 7322 X-Ray Exposure Switch Kit, White.....\$26.00

PN 7324 X-Ray Exposure Switch Kit, Almond.....\$26.00

- Includes exposure switch & mounting plate
- Push button normally open switch
- Fits standard single gang electrical box
- Includes mounting hardware



## Universal X-Ray Exposure Switch

PN 7109 X-Ray Exposure Switch.....\$7.50

- Push button normally open
- Screw terminals
- Single pole / single throw
- 3/4 amp 125V AC/DC



## Deluxe X-Ray Exposure Switch Kits

PN 7325 Deluxe X-Ray Exposure Switch Kit, Stainless Steel.....\$109.00

PN 7326 Deluxe X-Ray Exposure Switch Kit, White.....\$118.50

PN 7328 Deluxe X-Ray Exposure Switch Kit, Almond.....\$118.50

- Audible actuation
- 2 wire connection
- Fits standard single gang electrical box
- Includes mounting hardware
- Replaces Gendex 46-197334G6



## Deluxe X-Ray Exposure Switch

PN 7329 Deluxe X-Ray Exposure Switch.....\$100.00

- Gendex P/N 46-197311P1
- Fits Gendex 770, 900, 1000, 765DC Pan small control



## X-Ray Exposure Switch Mounting Plate

PN **8115** Cover Plate..... **\$9.00**

- Used w/ x-ray exposure switch 7109
- 1/2" diameter hole
- Brushed stainless steel
- Laser etched



## Universal Toggle Switch

PN **8699** (Ritter/Knight #WO-34566)..... **\$12.00**

- For use w/ Castle & Ritter lights
- 10 amp, 125 VAC

FEATURED

## Air / Electric Switches

PN **7080** 25 PSI Normally Open..... **\$26.00**

PN **7087** 25 PSI Normally Closed..... **\$26.00**

PN **7084** 10 PSI Normally Open..... **\$24.00**

PN **7089** 10 PSI Normally Closed..... **\$24.00**



- 7080 & 7087 activated at 25 PSI
- 7084 & 7089 activated at 10 PSI
- 15/32-32 thread w/ nut
- On / off control of up to 120V, 5 amp
- 125 PSI max



## Fuse Holder

PN **2862** Fuse Holder..... **\$25.50**

NEW ITEM



## Lever Nut Connector

PN **9356** Wago Lever Nut Connector, (Pkg of 10)..... **\$13.50**



## Sub Miniature Toggle Switch

PN **7082** Toggle Switch..... **\$10.10**

- Rated for 5 amp at 125 VAC
- Single pole, double throw



### Hospital Grade Cords & Plugs



9280

PN **9280** Hospital Grade Right Angle Cord #18 Gauge, IEC Style, 10' long..... **\$25.00**



9281

PN **9281** Hospital Grade Straight Cord #18 Gauge, Bare Wires, 8' long..... **\$21.00**



9282

PN **9282** Hospital Grade Straight Cord #16 Gauge, IEC Style, 10' long..... **\$34.00**



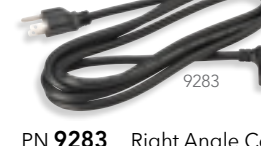
8111

PN **8111** Hospital Grade Plug Straight "Male"..... **\$17.00**



8113

PN **8113** Hospital Grade Plug Straight "Female"..... **\$25.00**



8112

PN **8112** Hospital Grade Plug Right Angle "Male"..... **\$22.00**

### Standard Power Cords



9283

PN **9283** Right Angle Cord #16 Gauge, 7.5'..... **\$14.00**



9284

PN **9284** Straight Cord #16 Gauge, 7.5'..... **\$15.00**



9285

PN **9285** Straight Cord #16 Gauge, 6.5', Bare Wires..... **\$14.00**



### 15 ft. Black Extension Cord

PN **9279** Electrical Extension Cord..... **\$30.00**

NEW ITEM



### 8 ft. Black Extension Cord

PN **8472** Electrical Extension Cord..... **\$20.00**

- Used for light post extension kits



## Low Voltage Electrical Cable

**PN 8110** 8-Conductor Wire (per ft.).....**\$2.50**

- 8 Conductor
- 22 Gauge wires

## Valve Kit

**PN 7143** Technician's Valve Kit.....**\$660.00**



7143

### Kit includes:

- PN 7012** Toggle Valve, On/Off, 2-Way, Gray, 3 ea.
- PN 7016** Toggle Valve, On/Off, 3-Way, Gray, 3 ea.
- PN 7052** Needle Valve w/Knob, Gray, 3 ea.
- PN 7021** Toggle Valve, Momentary, 2-Way, Normally Closed, Gray, 3 ea.
- PN 7026** Toggle Valve, Momentary, 3-Way, Normally Closed, Gray, 3 ea.
- PN 7027** Toggle Valve, Momentary Gray 3-Way, Normally Open, Gray, 3 ea.
- PN 7001** Toggle Routing Valve, 2-Way, Gray, 3 ea.
- PN 7151** Toggle Routing Valve, Side Ported, Gray, 3 ea.
- PN 7164** Rear Ported Valve, Valve, 3-Way, Side, Gray, 3 ea.
- PN 7038** Toggle Only, Momentary w/Pin Assy, Black, 3 ea.
- PN 7123** Toggle Only, Detented w/Pin, Black, 3 ea.
- PN 7039** Toggle Only, Momentary w/Pin Assy, Gray, 3 ea.
- PN 7124** Toggle Only, Detented w/Pin, Gray, 3 ea.
- PN 7014** Toggle Valve, Momentary, 2-Way w/Special Toggle, 3 ea.
- PN 7070** Air Pilot Valve, 2-Way, Normally Closed, 3 ea.
- PN 7166** Cup Filler Valve, Momentary, 2-Way, Gray, 3 ea.
- PN 5947** Holder Valve, Auto HP, Normally Open, Side Port, 5 ea.
- PN 5948** Holder Valve, Auto HP, Normally Closed, Side Port, 5 ea.
- PN 5989** Holder Valve, Auto HP, Normally Open, Rear Port, 5 ea.
- PN 5983** Holder Valve, Auto HP, Normally Closed, Rear Port, 5 ea.
- PN 7078** Valve Mounting Bracket, Single, 2 ea.
- PN 7140** Check Valve w/Ball, 1/16" Barb, 10 ea.
- PN 7060** Water Relay, Retracting, 3 ea.
- PN 7090** Shuttle Valve, 1/8", 5 ea.
- PN 8068** Storage Box, Plastic, 24 Compartment, 1 ea.

NEW ITEM





## Technicians Fittings Kit

PN **8781** Technician Fittings Kit.....\$221.50



**Kit includes:**

- PN **8885** 12 Compartment Storage Box, 1 ea.
- PN **0072** 10-32 Plastic Washers, 100 ea.
- PN **0077** 1/16" Plated In-Line Metal Barb, 10 ea.
- PN **0078** 1/8" Plated In-Line Barb, 10 ea.
- PN **0198** 1/8" Plastic Clamp Sleeve, 100 ea.
- PN **0197** 1/4" Plastic Clamp Sleeve, 25 ea.
- PN **0064** 10-32 Female Cross, 10 ea.
- PN **0065** 10-32 Female Tee, 10 ea.
- PN **0189** 10-32 Plug, 50 ea.
- PN **0187** 10-32 1/16" Metal Barb, 50 ea.
- PN **0188** 10-32 1/8" Metal Tee, 50 ea.
- PN **0951** 1/16" Metal Tee, 20 ea.
- PN **0952** 1/16" Metal Cross, 20 ea.

## Dentist's Emergency Repair Kit

PN **8071** Dentist's Emergency Repair Kit.....\$65.00



- Use for repair of minor problems occurring most frequently in dental units

**Kit includes:**

- PN **0070** 1/4" Plastic Sleeve, 10 ea.
- PN **0071** 1/8" Plastic Sleeve, 10 ea.
- PN **0023** 1/4" Poly Sleeve, 5 ea.
- PN **0021** 1/4" Poly Nut & Sleeve, 2 ea.
- PN **0072** 10-32 Plastic Washer, 20 ea.
- PN **0075** 10-32 x 1/8" Plated Barb, 5 ea.
- PN **0074** 10-32 x 1/16" Plated Barb, 5 ea.
- PN **0077** 1/16" Plated In-Line Barb, 3 ea.
- PN **0078** 1/8" Plated In-Line Barb, 3 ea.
- PN **0082** 1/16" Plastic Tee, 2 ea.
- PN **0083** 1/8" Plastic Tee, 2 ea.
- PN **0124** HP Gasket, Midwest 5-Hole, 2 ea.
- PN **2254** O-Ring, HVE Top, 6 ea.
- PN **2253** O-Ring, HVE Barrel, 6 ea.
- PN **2256** O-Ring, Saliva Ejector Barrel, 6 ea.
- PN **2201** O-Ring, A-dec® Style Syringes, 3 ea.
- PN **2203** O-Ring, Std. Syringe Button, 3 ea.
- PN **2255** O-Ring, Syringe Tip, 3 ea.
- PN **2267** O-Ring, Syringe Button, 3 ea.
- PN **8621** Tubing Stripper Tool, 1 ea.
- PN **8054** 4" Cable Tie, 10 ea.
- PN **5754** Saliva Ejector Tip, Gray, 1 ea.
- PN **8072** Plastic Storage Box, 17 Compartment



8095

- 18 Common fast acting fuses conveniently packed in an 18 compartment plastic storage box
- UL approved fuses

## Fast Acting Kit & Fuses

PN **8095** Fast Acting Fuse Kit ..... **\$140.90**

### Kit includes:

PN <b>8836</b> 1/8A, 250V, 5 ea.	PN <b>8847</b> 5A, 250V, 5 ea.
PN <b>8837</b> 1/4A, 250V, 5 ea.	PN <b>8848</b> 6A, 250V, 5 ea.
PN <b>8838</b> 1/2A, 250V, 5 ea.	PN <b>8849</b> 8A, 250V, 5 ea.
PN <b>8839</b> 3/4A, 250V, 5 ea.	PN <b>8850</b> 10A, 250V, 5 ea.
PN <b>8840</b> 1A, 250V, 5 ea.	PN <b>8851</b> 15A, 32V, 5 ea.
PN <b>8841</b> 1-1/4A, 250V, 5 ea.	PN <b>8852</b> 25A, 32V, 5 ea.
PN <b>8842</b> 1-1/2A, 250V, 5 ea.	PN <b>8853</b> 30A, 32V, 5 ea.
PN <b>8843</b> 2A, 250V, 5 ea.	PN <b>8884</b> Plastic Storage Box Only, 18 Compartment
PN <b>8844</b> 2-1/2A, 250V, 5 ea.	
PN <b>8845</b> 3A, 250V, 5 ea.	
PN <b>8846</b> 4A, 250V, 5 ea.	



8086

- 18 Common time delay fuses conveniently packed in an 18 compartment plastic storage box
- UL approved fuses

## Time Delay Fuse Kit & Fuses

PN **8086** Time Delay Fuse Kit ..... **\$224.00**

### Kit includes:

#### MDL Glass

PN <b>8821</b> 1/10A, 250V, 5 ea.
PN <b>8822</b> 1/4A, 250V, 5 ea.
PN <b>8823</b> 1/2A, 250V, 5 ea.
PN <b>8824</b> 1A, 250V, 5 ea.
PN <b>8825</b> 1-1/2A, 250V, 5 ea.
PN <b>8826</b> 2A, 250V, 5 ea.
PN <b>8827</b> 2-1/2A, 250V, 5 ea.
PN <b>8828</b> 3A, 250V, 5 ea.
PN <b>8829</b> 4A, 250V, 5 ea.
PN <b>8830</b> 5A, 250V, 5 ea.
PN <b>8831</b> 6-1/4A, 250V, 5 ea.
PN <b>8832</b> 15A, 32V, 5 ea..

#### MDA Ceramic

PN <b>8886</b> 6A, 250V, 5 ea.
PN <b>8887</b> 8A, 250V, 5 ea.
PN <b>8888</b> 10A, 250V, 5 ea.
PN <b>8833</b> 12A, 250V, 5 ea.
PN <b>8834</b> 15A, 250V, 5 ea.
PN <b>8835</b> 20A, 250V, 5 ea.
PN <b>8884</b> Plastic Storage Box, 18 Compartment



8092

- 18 Commonly used wire connectors & wire nuts conveniently packaged in an 18 compartment plastic storage box

## Crimp On Wire Connector Kit

PN **8092** Crimp-On Wire Connector & Wire Nut Kit ..... **\$114.00**

### Kit includes 20 ea.:

PN <b>8854</b> #6 Ring, Non-Insulated, 22-18 AWG
PN <b>8855</b> #4 Ring, Insulated, 22-18 AWG
PN <b>8856</b> #6 Ring, Insulated, 22-18 AWG
PN <b>8857</b> #8 Ring, Insulated, 22-18 AWG
PN <b>8858</b> #6 Ring, Insulated, 16-14 AWG
PN <b>8859</b> #8 Ring, Insulated, 16-14 AWG
PN <b>8860</b> #10 Ring, Insulated, 16-14 AWG
PN <b>8861</b> #6 Spade, Insulated, 16-14 AWG
PN <b>8862</b> #8 Spade, Insulated, 16-14 AWG
PN <b>8863</b> #10 Spade, Insulated, 16-14 AWG
PN <b>8864</b> Butt Connector, Insulated, 22-18 AWG
PN <b>8865</b> Butt Connector, Insulated, 16-14 AWG
PN <b>8866</b> Pig Tail, Insulated, 22-14 AWG
PN <b>8867</b> Pig Tail, Insulated, 8-10 AWG
PN <b>8868</b> Q.D., .250 Female, Insulated, 16-14 AWG
PN <b>8869</b> Q.D., .250 Male, Insulated, 16-14 AWG

### Kit includes 15 ea.:

PN **8870**  
Wire Nut, 22-14 AWG,

### Kit includes 5 ea.:

PN **8871**  
Wire Nut, 18-10 AWG,

### Kit includes 1 ea.:

PN **8884**  
Plastic Storage Box only, 18 Compartment



## O-Rings

Std P/N	DCI Part No.	Pkg 12 Retail	A-dec* Cross Ref.	Material	Fractional Dimension	I.D. x Cross Section
* -001	2225	\$2.90	030.001.00	buna-n	1/32	.029 x .040
* -002	2230	\$2.90	030.002.00	buna-n	3/64	.042 x .050
-002	2261	\$5.70	034.002.00	viton	3/64	.042 x .050
	2255	\$3.40		buna-n	3/64	.053 x .064
	2252	\$8.10		viton	3/64	.053 x .064
* -003	2201	\$2.90	030.003.00	buna-n	1/16	.056 x .060
	2220	\$4.90		buna-n	1/16	.057 x .040
	2204	\$4.90		buna-n	1/16	.065 x .035
*	2211	\$2.90	035.025.00	buna-n	5/64	.070 x .040
	2263	\$8.10	035.050.00	viton	5/64	.070 x .040
* -004	2229	\$2.90	030.004.00	buna-n	5/64	.070 x .070
	2217	\$5.00		buna-n	5/64	.075 x .035
	2266	\$9.50		viton	5/64	.081 x .103
	2267	\$2.90		buna-n	5/64	.081 x .103
	2218	\$2.90		buna-n	3/32	.085 x .055
* -005	2231	\$2.90	030.005.00	buna-n	7/64	.101 x .070
* -006	2203	\$2.90	030.006.00	buna-n	1/8	.114 x .070
* -006	2242	\$5.70	035.048.00	viton	1/8	.114 x .070
	2293	\$2.90		buna-n	1/8	.128 x .050
	2262	\$8.70		viton	1/8	.129 x .050
	2282	\$11.50		viton	1/8	.136 x .040
	2271	\$7.00		buna-n	9/64	.144 x .025
* -007	2232	\$2.90	030.007.00	buna-n	5/32	.145 x .070
-007	2280	\$2.90		viton	5/32	.145 x .070
	2208	\$4.00		buna-n	3/16	.172 x .037
	2209	\$5.50		buna-n	3/16	.176 x .050
	2281	\$16.00		viton	3/16	.176 x .066
* -008	2205	\$2.90	030.008.00	buna-n	3/16	.176 x .070
*	2212	\$2.90		buna-n	3/16	.180 x .040
	2264	\$8.10		viton	3/16	.180 x .040
	2298	\$15.50	034.107.00	ethylene propylene	7/32	.206 x .103
* -009	2233	\$2.90	030.009.00	buna-n	7/32	.208 x .070
* -010	2214	\$2.90	030.010.00	buna-n	1/4	.239 x .070
-010	2256	\$8.20		viton	1/4	.239 x .070
*	2244	\$8.20	035.004.00	buna-n	1/4	.240 x .033
	2247	\$4.90		buna-n	1/4	.248 x .048
*	2202	\$2.90		buna-n	1/4	.250 x .032
	2259	\$8.10		viton	1/4	.250 x .032
	2283	\$11.30		viton	1/4	.250 x .035
	2260	\$8.10		buna-n	17/64	.270 x .070
	2285	\$11.00		viton	19/64	.300 x .050
* -011	2234	\$2.90	030.011.00	buna-n	5/16	.301 x .070

\* Asterisk designates O-Rings included in DCI kit 8067

## O-Rings *(continued)*

Std P/N	DCI Part No.	Pkg 12 Retail	A-dec® Cross Ref.	Material	Fractional Dimension	I.D. x Cross Section
	2269	\$3.10		viton	5/16	.301 x .070
	2268	\$13.00		viton	21/64	.323 x .035
* -110	2241	\$2.90	030.110.00	buna-n	3/8	.362 x .103
* -012	2210	\$2.90	030.012.00	buna-n	3/8	.364 x .070
-012	2257	\$8.20	034.012.00	viton	3/8	.364 x .070
* -013	2207	\$2.90	030.013.00	buna-n	7/16	.426 x .070
-013	2254	\$8.20	034.013.00	viton	7/16	.426 x .070
	2284	\$21.00		viton	7/16	.438 x .110
	2206	\$2.90		buna-n	7/16	.447 x .052
	2253	\$8.20		viton	7/16	.447 x .052
* -014	2228	\$2.90	034.014.00	ethylene propylene	1/2	.489 x .070
* -014	2243	\$8.20	033.014.00	viton	1/2	.489 x .070
* -015	2235	\$2.90	030.015.00	buna-n	9/16	.551 x .070
* -016	2236	\$2.90	030.016.00	buna-n	5/8	.614 x .070
* -017	2237	\$2.90	030.017.00	buna-n	11/16	.676 x .070
* -018	2215	\$2.90	030.018.00	buna-n	3/4	.739 x .070
	2297	\$2.90		buna-n	13/16	.799 x .103
* -019	2238	\$2.90	030.019.00	buna-n	13/16	.801 x .070
* -020	2223	\$2.90	030.020.00	buna-n	7/8	.864 x .070
-119	2224	\$3.70		buna-n	15/16	.924 x .103
	2270	\$2.90	030.021.00	buna-n	15/16	.926 x .070
* -023	2239	\$2.90	030.023.00	buna-n	1-1/16	1.051 x .070
	2221	\$3.90		buna-n	1-55/64	1.86 x .070
	2246	\$6.20		buna-n	2-7/64	2.109 x .139
* -034	2240	\$3.90	030.034.00	buna-n	2-1/8	2.114 x .070
* Quad-Ring	2245	\$14.00	035.003.00	buna-n	1/32	.029 x .040

\* Asterisk designates O-Rings included in DCI kit #8067



8067



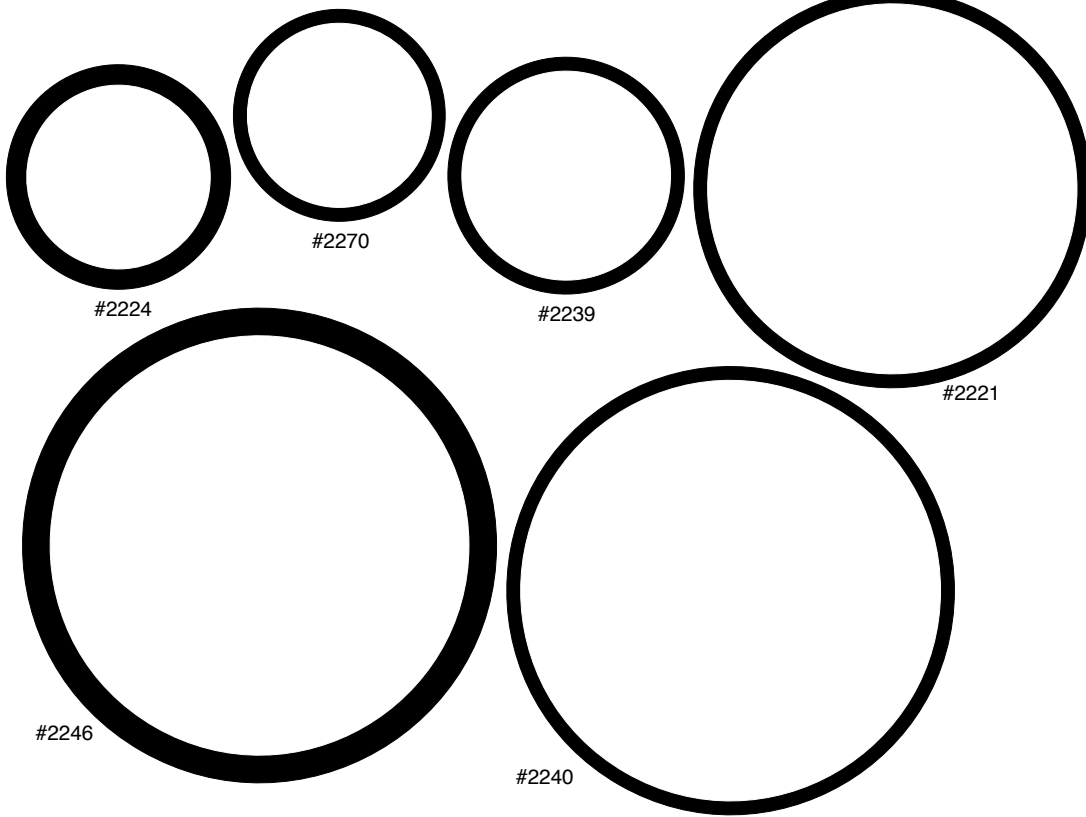
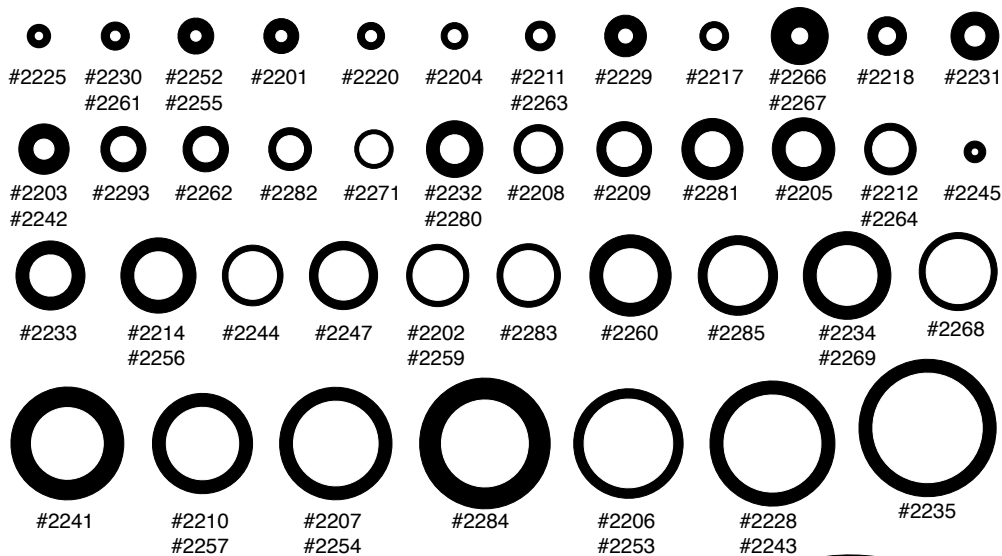
8068

### O-Ring Kit

PN <b>8067</b>	O-Ring Kit.....	<b>\$95.00</b>
PN <b>8068</b>	Plastic Box Only.....	<b>\$41.20</b>

- The kit contains 30 different O-Rings in packages of 12 each, totaling 360 O-Rings
- Items above marked with "\*" are included in kit
- The O-Rings come conveniently packaged in a 24 compartment plastic storage box







2493

## Scavenger Accessories

PN **2493** Vacuum Connection Kit Only, (MDT #3-71-0902-30)..... **\$126.50**



2454

PN **2454** Corrugated Breathing Tube (MDT#3-70-0389-10)..... **\$136.50**



2496

## Nasal Hood Tubing

PN **2496** Inlet Tubing 30" L x 9/16" O.D. x 3/8" I.D. .... **\$38.00**

PN **2460** Outlet Tubing 30" L x 1/2" O.D. x 1/4" I.D. .... **\$40.50**



## H Style Scavenger Connector

PN **2640** H Style Scavenger Connector (MDT #3-71-0895-10)..... **\$28.80**

- For use on Scavenger Systems
- Clear plastic for tubing hook-up



## Exhalation Valve

PN **2516** Exhalation Valve (MDT #3-71-0335-30)..... **\$51.50**

- For exhalation of used gases
- Used on Nasal Hoods MDT #31-0187-31 & MDT #3-71-0185-30



## Breathing Bag 3 Liter

PN **2504** 3 Liter Bag (MDT #3-71-0172-10)..... **\$85.00**

- Slip on style
- Latex free
- 7/8" I.D.



## Mouth Props



2434



2435



Rubber over brass construction

No latex used

Gray, sterilizable

Box of 2 each

Autoclavable

PN <b>2433</b>	Small Pedo, (MDT #3-71-0981-20)	\$31.40
PN <b>2434</b>	Child, (MDT #3-71-0982-20)	\$32.50
PN <b>2435</b>	Adult, (MDT #3-71-0983-20)	\$35.00
PN <b>2436</b>	Large Adult, (MDT #3-71-0984-20)	\$50.00
PN <b>2437</b>	Edentulous, (MDT #3-71-0985-20)	\$65.00

FEATURED



2530

## Oxygen & Nitrous Oxide Hoses

PN <b>2530</b>	Oxygen Hose (MDT #3-71-3709-30)	\$31.00
PN <b>2524</b>	Nitrous Oxide Hose (MDT #3-71-3708-30)	\$98.00

- 5' length
- DISS to DISS
- Includes female DISS connectors
- Portable cart to tank regulator

## Tapmaster® Kick Plate Activated Faucet Control



PN 1555 Tapmaster® Kick Plate..... \$550.00

- Mixes hot & cold water
- Foot activated stainless steel kick plate
- Light touch activation & lock on feature
- Includes all necessary hardware

## Tapmaster® Cabinet Door Activated Faucet Control



PN 1550 Tapmaster® Door Activated..... \$506.00

- Mounts to sink cabinet door
- Light touch activation
- No electricity required

FEATURED



## Tapmaster® Repair Parts

PN 1560 Valve Block Service Kit..... \$75.00

PN 1561 Replacement Pilot Valve w/ Button Actuator..... \$210.00

NEW ITEM



## Faucet Activating Controls

PN 9277 Air Actuated Water Shut Off Valve (A-dec® #34.0036.00)..... \$65.00

- For Preference Collection & Preference II sinks

PN 7831 Valve, Roller (SST), 3-Way, Momentary, N.C. (A-dec® #026.096.00)..... \$15.20

- For door and foot-activated water dispenser

*These parts are manufactured by DCI to fit A-dec® & Tapmaster® equipment. DCI has no affiliation with A-dec Inc. or Tapmaster. DCI replacement parts are not manufactured under license or supervision of A-dec® or Tapmaster®.*



### Combined Sharps & Waste Chute



PN **6804** Sharps & Waste Chute.....\$440.00

- Easy change bag holder
- Fits counters up to 1"
- Can be under mounted
- Includes lid & 6803 sharps container
- Direct replacement for Pelton & Crane® cabinets

### Thru Counter Sharps Container



PN **6802** Counter Mount Sharps Container.....\$278.00

PN **6803** Replacement Containers.....\$21.00

- Holds 1.7 qt. sharps container
- Includes lid & 6803 sharps container
- Direct replacement for Pelton & Crane® cabinets
- 5" I.D. x 11" tall

### Replacement Sharps Containers



PN **6803** Replacement Containers (1.7 Qt.).....\$21.00

PN **6820** Replacement Containers (6.2 Qt.).....\$26.00

FEATURED

### Waste Chute



PN **6800** 4" Waste Chute.....\$154.50

PN **6801** 6" Waste Chute.....\$206.00

- Easy change bag holder
- Fits counters up to 1"
- Can be under mounted
- Direct replacement for Pelton & Crane® cabinets

### 6" Stainless Steel Waste Bezels



PN **6805** Stainless Steel Waste Bezel 2" Tall.....\$57.00

PN **6806** Stainless Steel Waste Bezel 5 1/4" Tall.....\$64.00

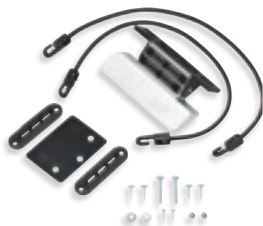
- Rolled top edge
- 6" I.D.

FEATURED



## Drawer Push Latch

PN **6807** Drawer Push Latch w/ Screws (A-dec® #55.1934.00)..... **\$19.50**



## Waste Door Opener

PN **6808** Waste Door Opener..... **\$98.00**



## Magnetic Pressure Catch

PN **6812** Magnetic Pressure Catch - Single Door..... **\$2.10**

PN **6813** Magnetic Pressure Catch - Double Door..... **\$2.80**



## CPU Vent

PN **6819** White CPU Vent (A-dec® #042.583.00)..... **\$22.00**

- Cut out dimension 4 1/4" x 3 1/4"



## Counter Top Mounted HVE's

PN **5781** Chrome Bezel..... **\$154.50**

PN **5782** Nickel Bezel..... **\$154.50**

- For mounting HVE in the top of a cabinet (sterilization, lab)
- Includes colored bezel, premium HVE valve, tubing & canister



## Delta Soap Dispensers

PN **9302** Chrome Soap Dispenser..... **\$99.00**

PN **9310** Replacement Bottle..... **\$32.00**

- Easy refill through counter w/ funnel (included)
- Accommodates counters up to 1 1/2"



# Delivery System Parts



178 – 179

Replacement A-dec®  
Diaphragms & Gaskets



180

Replacement A-dec®  
Century



181 – 182

Replacement A-dec®  
Century Plus



183 – 184

Replacement A-dec®  
Century II



185

Replacement A-dec®  
500 & 300 Series



186

Replacement A-dec®  
Toggle Valves



187 – 189

Replacement A-dec®  
Handpiece Control &  
Syringe Repair Parts



190

Replacement A-dec®  
Cuspidor Bowls, Screens,  
Tubing & Vacuum Parts



191

Replacement A-dec®  
Vacuum Components



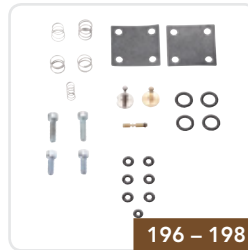
192 – 194

Replacement A-dec®  
Foot Control  
Repair Parts



194 – 195

Replacement A-dec®  
Utility Center Parts



196 – 198

Replacement A-dec®  
Miscellaneous  
Repair Parts



199

Dentech Block &  
Diaphragm Repair Kits



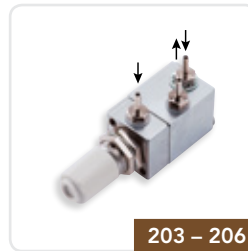
200

Miscellaneous  
OEM Parts



202

Pelton & Crane®  
Executive Unit



203 – 206

Pelton & Crane® & Marus  
Replacement Parts

**NEW**  
Convenient  
5-Packs

## Gaskets & Diaphragms to fit A-dec® Century Pac Control Systems



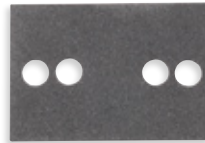
**PN 9413** ..... **\$3.60**  
(A-dec® #38.0120.01) (pkg of 5)  
Fits Century Pac Control System



**PN 9412** ..... **\$3.60**  
(A-dec® #38.0118.01) (pkg of 5)  
Fits Century Pac Control System



**PN 9411** ..... **\$3.60**  
Clear Auto Block Gasket  
(A-dec® #29.0050.01) (pkg of 5)  
Auto Block Gasket -  
Auto Pac controls



**PN 9003** ..... **\$8.00**  
Diaphragm for Valve  
(A-dec® #22.0770.00)  
(A-dec® #22.0774.01) (pkg of 10)  
Used in Handpiece Control Valve



**PN 9002** ..... **\$6.70**  
Pilot Valve Diaphragm  
(A-dec® #22.0440.02) (pkg of 10)  
Used in Coolant Air & Water  
Valve, Auto Pac, Air Operated  
Shut-off Valves, Black (Water)  
& White (Air) Regulator Assembly



**PN 9004** ..... **\$6.00**  
Gasket 9-Hole  
(A-dec® #24.0137.01) (pkg of 10)



**PN 9012** ..... **\$13.00**  
Diaphragm Top  
(A-dec® #38.0054.02) (pkg of 10)



**PN 9005** ..... **\$7.40**  
5-Hole Gasket  
(A-dec® #24.0136.01) (pkg of 10)

*These parts are manufactured by DCI to fit A-dec® equipment. DCI has no affiliation with A-dec Inc.  
DCI replacement parts are not manufactured under license or supervision of A-dec®.*



## Diaphragms & Gaskets to fit A-dec® Century Plus



**PN 9157** ..... **\$16.00**  
 "RED" Scaler Block Gasket  
 (A-dec® #38.0550.01) (pkg of 5)



**PN 9158** ..... **\$10.00**  
 "CLEAR" Handpiece Block Gasket  
 (A-dec® #38.0507.01) (pkg of 10)



**PN 9161** ..... **\$7.50**  
 Handpiece Block Cap Diaphragm  
 (A-dec® #38.0519.01) (pkg of 10)



**PN 9320** ..... **\$17.00**  
 Fiber Optic Light Source Diaphragm  
 (A-dec® #75.0911.01) (pkg of 5)



## Gasket to fit A-dec® Century II Control Head Supply Manifold



**PN 9410** ..... **\$8.00**  
 Manifold Gasket  
 (A-dec® #35.0574.01) (pkg of 5)

- Fits 11 port tubing manifold



## Diaphragms to fit A-dec® 300 & 500 Series Control Blocks



**PN 9308** ..... **\$20.00**  
 Diaphragm to fit A-dec® 300  
 (A-dec® #38.1833.01) (pkg of 5)



**PN 9309** ..... **\$20.00**  
 Diaphragm to fit A-dec® 500  
 (A-dec® #38.1787.01) (pkg of 5)

*Not shown in actual size.*

*These parts are manufactured by DCI to fit A-dec® equipment. DCI has no affiliation with A-dec Inc. DCI replacement parts are not manufactured under license or supervision of A-dec®.*

NEW ITEMS

## Parts to fit A-dec® Recirculator



**PN 9321** ..... **\$12.00**  
Diaphragm  
(A-dec® #23.0198.01) (pkg of 5)



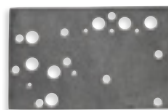
**PN 9322** ..... **\$16.00**  
Gasket  
(A-dec® #23.0196.01) (pkg of 5)

## Diaphragm to fit A-dec® Vacuum Drain



**PN 9318** ..... **\$23.70**  
Diaphragm  
(A-dec® #40.0756.01) (pkg of 5)

## Diaphragm to fit A-dec® Performer Control Block



**PN 9319** ..... **\$13.00**  
Diaphragm  
(A-dec® #38.0711.01) (pkg of 5)

FEATURED



## Service Kit to fit A-dec® Century Plus Control Block

**PN 9154** Service Kit (A-dec® #38.0537.01) ..... **\$100.00**

### Kit includes the following:

- |                |                         |                      |
|----------------|-------------------------|----------------------|
| <b>PN 9167</b> | Air Bleed Cartridge     | (A-dec® #38.0517.00) |
| <b>PN 9168</b> | Check Valve Cartridge   | (A-dec® #38.0518.00) |
| <b>PN 9169</b> | Water Coolant Cartridge | (A-dec® #38.0520.00) |
| <b>PN 2225</b> | O-Ring                  | (A-dec® #030.001.00) |
| <b>PN 2230</b> | O-Ring                  | (A-dec® #030.002.00) |
| <b>PN 9157</b> | Red Gasket              | (A-dec® #38.0550.01) |
| <b>PN 9158</b> | Clear Gasket            | (A-dec® #38.0507.01) |
| <b>PN 9257</b> | Water Stem              | (A-dec® #38.0516.00) |
| <b>PN 9311</b> | Drive Air Stem          | (A-dec® #38.0510.00) |
| <b>PN 9161</b> | Diaphragm               | (A-dec® #38.0519.01) |
| <b>PN 9312</b> | Cap Assy.               | (A-dec® #38.0511.00) |

*These parts are manufactured by DCI to fit A-dec® equipment. DCI has no affiliation with A-dec Inc. DCI replacement parts are not manufactured under license or supervision of A-dec®.*





9114

## Tie Bolts to fit A-dec® Century Plus Blocks

PN 9114	3 Block Tie Bolt Kit (A-dec® #38.0504.07)	\$24.00
PN 9116	4 Block Tie Bolt Kit (A-dec® #38.0504.08)	\$26.00
PN 9115	5 Block Tie Bolt Kit (A-dec® #38.0504.09)	\$28.00

- Includes two bolts, two washers & two nuts



9070

## Service Kit for A-dec® Century Water Coolant Valve

PN 9070	Service Kit	\$22.00
PN 9068	End Cap Assy (A-dec® #38.0106.00)	\$6.80
PN 9069	Piston Assy (A-dec® #38.0104.00)	\$6.30
PN 9067	Needle Valve Stem (A-dec® #38.0102.00)	\$8.30

### Kit includes the following:

PN 3090	Valve Core	(A-dec® #026.033.01)
PN 9067	Stem	(A-dec® #38.0102.00)
PN 9025	Truss Hd Screw	(A-dec® #001.002.01)
PN 9066	Compr. Spring	(A-dec® #22.0580.00)
PN 9068	End Cap	(A-dec® #38.0106.00)
PN 9069	Piston	(A-dec® #38.0104.00)
PN 9065	Set Screw	(A-dec® #007.001.00)
PN 9062	Soc Hd Cap Scr	(A-dec® #002.024.00)
PN 2203	O-Ring	(A-dec® #030.006.02)

### TECH TIP



1

When servicing the Century water coolant valve, first remove the set screw from the rear of the end cap.

2

Next, remove the top screw that retains the end cap and screw the top screw into the back of the end cap where the set screw had been. Now the end cap will pull out easily.

3

The set screw in the piston can then be removed and the top screw installed in its place to remove it.

*These parts are manufactured by DCI to fit A-dec® equipment. DCI has no affiliation with A-dec Inc. DCI replacement parts are not manufactured under license or supervision of A-dec®.*



**Check Valve Cartridge to fit  
A-dec® Century Plus**

**PN 9168** Check Valve "Blue Base"  
(A-dec® #38.0518.00) (pkg of 3)..... **\$32.00**



**Air Bleed Cartridge to fit A-dec® Century Plus**

**PN 9167** Air Bleed "Brass Base"  
(A-dec® #38.0517.00) (pkg of 3)..... **\$21.00**



**Water Valve Cartridge to fit  
A-dec® Century Plus**

**PN 9169** Water Valve Cartridge "Red Base"  
(A-dec® #38.0520.00) (pkg of 3)..... **\$60.00**

**NEW ITEM**



**Dry Block Kit to fit A-dec® Century Plus**

**PN 9315** Dry Block Kit  
(A-dec® #38.0648.00)..... **\$28.00**

- Black Base
- Contains 2 plugs (one water, one check valve)

**NEW ITEM**



**Adjustment Keys to fit A-dec®  
Cascade/Decade Control Blocks**

**PN 9324** Adjustment Key  
(A-dec® #98.0867.02) (pkg of 5)..... **\$18.70**

- Autoclavable adjustment keys for handpiece controls

*These parts are manufactured by DCI to fit A-dec® equipment. DCI has no affiliation with A-dec Inc. DCI replacement parts are not manufactured under license or supervision of A-dec®.*







9153

## Air Bleed Valves to fit A-dec® Handpiece Holders

- PN **9151** Bleed Valve 2-Way Cascade Unitized (A-dec® #33.0132.00), 90° Angle Barb..... **\$27.00**
- PN **9152** Bleed Valve 2-Way Excellence Holder (A-dec® #33.0025.00)..... **\$15.60**
- PN **9153** Bleed Valve 2-Way Continental Whip (A-dec® #33.0025.01)..... **\$15.60**



9052

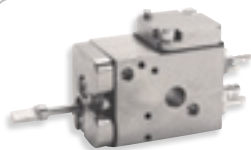
## Service Kit to fit A-dec® Century II Control Block

- PN **9052** Service Kit, (A-dec® #90.0321.00)..... **\$10.26**

### Kit includes the following:

- PN **9012** Diaphragm Top (A-dec® #38.0054.02)
- PN **9046** Diaphragm Front (A-dec® #38.0179.02)
- PN **9007** Gasket Clear (A-dec® #38.0186.02)
- PN **9027** Compr. Spring (A-dec® #013.025.00)
- PN **9051** But Hd Soc Scr (A-dec® #002.097.00)
- PN **9050** Stem (A-dec® #29.0831.00)
- PN **2229** O-Ring (A-dec® #0030.004.02)

FEATURED



## Control Block to fit A-dec® Century II

- PN **9146** Control Block, (A-dec® #38.0223.02)..... **\$294.00**



## Holdback Valve Cover to fit A-dec® Century II Control Block

- PN **9328** Holdback Valve Cover w/Screws Only, (A-dec® #38.0178.00)..... **\$19.50**

NEW ITEM



## Holdback Valve Cover Kit to fit A-dec® Century II Control Block

- PN **9147** Holdback Valve Cover Kit, (A-dec® #90.0304.00)..... **\$20.00**



## Water Coolant Valve Cover Kit to fit A-dec® Century II Control Block

- PN **9148** Water Coolant Valve Cover Kit..... **\$22.00**
- Cover, diaphragm, piston & spring

*These parts are manufactured by DCI to fit A-dec® equipment. DCI has no affiliation with A-dec Inc. DCI replacement parts are not manufactured under license or supervision of A-dec®.*



## Needle Valve Stem to fit A-dec® Century II Air Coolant Cartridge

PN **9180** Needle Valve Stem, (A-dec® #33.0117.00)..... **\$10.00**

- Fits (A-dec® #33.0101.00) cartridge housing



## Needle Valve Stem to fit A-dec® Century II Water Coolant Valve

PN **9019** Valve Stem, (A-dec® #33.0103.00)..... **\$8.30**

PN **9025** Valve Stem Retaining Truss Screw,  
(A-dec® #001.002.01) (pkg of 10)..... **\$3.40**

- Fits Century II control block & Century II needle valve



## Drive Air Adjustment Screw to fit A-dec® Century II

PN **9023** Drive Air Adjustment Screw,  
(A-dec® #29.0100.00) (pkg of 3)..... **\$6.00**

- Fits Century II control block, Pac control system,  
handpiece control valve & Century II master block



## Tie Bolts to fit A-dec® Century II Control Blocks

PN **9149** 3 Block Tie Bolt Kit, (A-dec® #38.0193.01)..... **\$20.00**

PN **9117** 4 Block Tie Bolt Kit, (A-dec® #38.0194.01)..... **\$20.00**

- Includes nut & washer

*These parts are manufactured by DCI to fit A-dec® equipment. DCI has no affiliation with A-dec Inc.  
DCI replacement parts are not manufactured under license or supervision of A-dec®.*



## Q.D. Plug to fit A-dec® Control Block

PN **9237** Q.D. Plug, (A-dec® #026.160.01) (pkg of 5)..... **\$19.80**

## Barb to fit A-dec® Silicone Handpiece Tubing

PN **9334** Q.D. Barb, 1/8" (A-dec® #026.174.01) (pkg of 5)..... **\$22.00**

PN **9335** Q.D. Barb, 3/16" (A-dec # 026.175.01) (pkg of 5)..... **\$22.00**

## Barb to fit A-dec® Vinyl Handpiece Tubing

PN **9337** Q.D. Barb, 1/8" (A-dec® #026.161.00)..... **\$3.40**

PN **9336** Q.D. Barb, 1/4" (A-dec® #023.088.00)..... **\$3.40**



## Cartridges & Diaphragms to fit A-dec® 300 & 500 Control Blocks

PN **9305** Cartridge Retaining Ring,  
(A-dec® #38.1779.01) (pkg of 5)..... **\$7.20**



PN **9306** Dry Cartridge, (A-dec® #38.1783.00)..... **\$15.00**

PN **9307** Water Cartridge, (A-dec® #38.1780.00)..... **\$33.00**

PN **9308** Diaphragm to fit A-dec® 300 Control Block  
(A-dec® #38.1833.01) (pkg of 5)..... **\$20.00**

PN **9309** Diaphragm to fit A-dec® 500 Control Block  
(A-dec® #38.1787.01) (pkg of 5)..... **\$20.00**



## Adjustment Parts to fit A-dec® Control Blocks

PN **9314** Adjustment Keys to fit A-dec® 500  
(A-dec® #38.1808.01) (pkg of 4)..... **\$21.00**

- Key with O-Ring for air & water adjustment stems

PN **9323** Drive Air Adjustment Stem to fit A-dec® 300/500  
(A-dec® #38.1785.01)..... **\$4.00**

PN **9313** Air Coolant Stem to fit A-dec® 500  
(A-dec® #38.0526.00)..... **\$7.90**

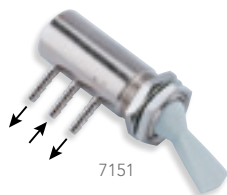
NEW ITEMS

*These parts are manufactured by DCI to fit A-dec® equipment. DCI has no affiliation with A-dec Inc. DCI replacement parts are not manufactured under license or supervision of A-dec®.*



## Replacement A-dec® Toggle Valve Master Switch "Side Barb"

PN 7155	Black Toggle Valve, (A-dec® #33.0048.03)	\$21.90
PN 7156	Gray Toggle Valve, (A-dec® #33.0048.04)	\$21.90



## Replacement A-dec® Routing Toggle Valve "Side Barb"

PN 7150	Black Selector / Routing Valve, (A-dec® #33.0104.03)	\$40.00
PN 7151	Gray Selector / Routing Valve, (A-dec® #33.0104.04)	\$40.00

- Fits Century II manual control systems
- For air only



## Replacement A-dec® On/Off Toggle Valve "Rear Port"

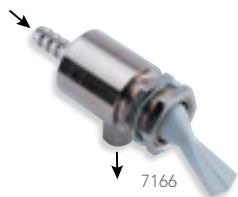
	GRAY	BLACK		
7164	7163	2-Way Toggle Valve, (A-dec® #33.0096.00)	\$25.80	
7161	7160	3-Way Toggle Valve, (A-dec® #33.0080.01)	\$25.80	

- On / Off Operation
- 2-way or 3-way
- Rear ports



## Replacement A-dec® Momentary Toggle Valve "Rear Port"

	GRAY	BLACK		
7169	7168	2-Way Toggle Valve, (A-dec® #42.0537.03)	\$25.80	



## Replacement A-dec® Momentary Toggle Valve "Round Body"

	GRAY	BLACK		
7166	7167	2-Way Toggle Valve, (A-dec® #33.0008.01)	\$22.70	

- Fits cuspidor models prior to 1982

*These parts are manufactured by DCI to fit A-dec® equipment. DCI has no affiliation with A-dec Inc. DCI replacement parts are not manufactured under license or supervision of A-dec®.*



## Air Q.D. Kit to fit A-dec® Handpiece Controls

PN **9290** Q.D. Kit for Air (A-dec® #026.130.00)..... **\$65.00**

- Includes male & female Q.D.'s, Hardware & Tubing
- Plastic spacer



## Self Contained Water Q.D. Kit to fit A-dec® Handpiece Controls

PN **9293** Q.D. Kit for Self Contained Water, (A-dec® #90.0370.00)..... **\$65.00**

PN **9298** Male Self Contained Water Q.D., (A-dec® #13.0375.00)..... **\$36.05**

PN **9172** Female Self Contained Water Q.D., (A-dec® #026.125.00)..... **\$36.00**

- Kit 9293 includes male & female Q.D.'s, Hardware
- Non-recessed



## City Water Q.D. Kit to fit A-dec® Handpiece Controls

PN **9292** Q.D. Kit for City Water, (A-dec® #026.134.00)..... **\$80.00**

PN **9299** Male Adjustable City Water Q.D., (A-dec® #13.0381.00)..... **\$36.00**

PN **9173** Female City Water Q.D., (A-dec® #026.157.00)..... **\$36.00**

- Kit 9292 includes male & female Q.D.'s, Hardware & Tubing
- Recessed



## Flow Restrictor to fit A-dec® Handpiece Controls

PN **9317** Double Flow Restrictor (A-dec® #23.0173.00)..... **\$18.00**

- Flow control for 1/8" Tubing
- Used for syringe air/water flow control

NEW ITEM

*These parts are manufactured by DCI to fit A-dec® equipment. DCI has no affiliation with A-dec Inc. DCI replacement parts are not manufactured under license or supervision of A-dec®.*

## Air Electric Switches to fit A-dec® Handpiece Controls

PN <b>7084</b>	Normally Open 10 PSI Switch, (A-dec® #044.158.00)	\$24.00
PN <b>7080</b>	Normally Open 25 PSI Switch, (A-dec® #044.181.00)	\$26.00
PN <b>7089</b>	Normally Closed 10 PSI Switch, (A-dec® #044.159.00)	\$24.00
PN <b>7087</b>	Normally Closed 25 PSI Switch	\$26.00



7080

- 120 Volt / 5 amp
- 10 PSI or 25 PSI
- Normally open or closed

## Replacement A-dec® Rectangular Pressure Gauge



PN <b>7270</b>	Pressure Gauge 0-60 PSI, (A-dec® #026.083.01)	\$30.80
----------------	---	---------

- 0-60 PSI reading
- 1/2" H x 1 3/4" W
- For air only
- Vibration & shock resistant

## Replacement A-dec® Pneumatic Indicator

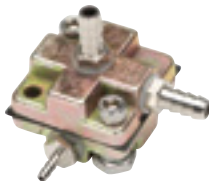


7280

<u>RED</u>	<u>GREEN</u>	
<b>7280</b>	<b>7285</b>	Panel Mount On / Off Indicator (A-dec® #24.0100.03)..... \$17.00

- 25-120 PSI
- 10-32 Port w/ barb for 1/8" O.D. tubing

## Replacement A-dec® Tooth Dryer Relay



PN <b>9243</b>	Tooth Dryer Relay Valve, (A-dec® #34.0043.00)	\$42.00
----------------	---	---------

- 1/16" Barb (qty 1), 1/8" Barbs (qty 2)



### TECH TIP

### TRYING TO SOLVE A TOUGH TECHNICAL PROBLEM?

Visit the DCI Service Forum at [www.dcionline.com](http://www.dcionline.com) or the DCI Video Library where you can collaborate with fellow technicians and find the answers to the most challenging dental repairs!

*These parts are manufactured by DCI to fit A-dec® equipment. DCI has no affiliation with A-dec Inc. DCI replacement parts are not manufactured under license or supervision of A-dec®.*





## Syringe Tips to fit A-dec® Syringes

PN 3054	Syringe Tip (each)	\$4.90
PN 3055	Syringe Tip, (A-dec® #23.0872.01) (pkg of 5)	\$24.00
PN 3056	Syringe Tip (pkg of 50)	\$205.00

- Autoclavable



## Parts to fit A-dec® Syringes

PN 9286	Tool to fit A-dec® Syringes, (A-dec® #98.0010.00), Valve Core Removal Tool, .050 Hex Wrench for Button Screw, 5-32" Hex Wrench for Syringe Tip Insert	\$16.00
---------	---	---------



PN 9150	Syringe Button Screw, (A-dec® #23.1193.01), (pkg of 5) (Product Produced 1995 & Later)	\$26.80
---------	---	---------



PN 3090	Valve Core, (A-dec® #026.033.01), (pkg of 10) Fits Tri-Flow, Lever, Soft Touch Button & Continental Syringe	\$6.00
---------	--	--------



PN 9028	Conical Button Spring, (A-dec® #013.038.01), (pkg of 10) Fits Tri-Flow, Lever, Soft Touch Button & Continental Syringe	\$6.90
---------	---	--------



PN 9186	Button Assy to fit A-dec® Syringes (each) (A-dec® #23.1232.01)	\$14.00
---------	---	---------

PN 2242	O-Ring, Viton, .114 I.D. X .070 Width, -006; (A-dec® #035.048.00)(Pkg of 12)	\$5.70
---------	---	--------

PN 2305	O-Ring, Viton, .056 I.D. x .060 Width (A-dec® #034.003.00) (Pkg of 12)	\$8.10
---------	---	--------

PN 9347	A-dec® Soft Syringe Buttons & Repair Kit	\$26.00
---------	--	---------

## A-dec® Lever Syringe Repair Parts



PN 9326	Service Kit to fit A-dec® Lever Syringes (A-dec® #23.1093.00)	\$22.00
---------	--	---------

### Kit includes:

- PN 3070 Button for Lever Syringe (A-dec® #23.0048.01)
- PN 9028 Conical Button Spring (A-dec® #013.038.00)
- PN 8034 Silicone Lubricant (A-dec® #98.0090.01)

FEATURED

*These parts are manufactured by DCI to fit A-dec® equipment. DCI has no affiliation with A-dec Inc. DCI replacement parts are not manufactured under license or supervision of A-dec®.*

NEW ITEMS



5312

## Replacement A-dec® Cuspidor Bowl Screen

PN **5312** Cuspidor Screen, (A-dec® #42.0085.00)..... **\$5.00**

- Fits Decade & Excellence\*
- Bowl 8" O.D. x 6 3/4" I.D.
- Includes 2 O-Rings (2246)
- Stem 2 1/2" O.D. x 1 1/2" I.D.



6818

5512

## Screens to fit A-dec® Solids Collectors

PN **6818** Screen, Disposable, Fits A-dec® Cascade/Performer (A-dec® #11.1191.00) (pkg of 144)..... **\$50.00**

PN **5512** Screen, Disposable, Fits A-dec® 300/500 (A-dec® #11.1284.01) (pkg of 144)..... **\$49.45**

NEW ITEM



5314

5313

## Screens to fit A-dec® Cuspidors

PN **5314** White Cuspidor Screen, 1 5/8" (pkg of 144)..... **\$50.00**

PN **5313** Gray Cuspidor Screen, 2 1/2" (pkg of 144)..... **\$50.00**



9327

## Water Bottle Kit to fit A-dec® Cascade Water Systems

PN **9327** 750 ml Water Bottle Kit (A-dec® #90.0460.03)..... **\$14.00**

### Kit includes:

PN **8128** 750 ml Bottle 2 ea. (A-dec® #14.0416.00)

PN **8126** Bottle Cap 2 ea.



435

**NEW**  
colors

## Replacement A-dec® Asepsis 4 Hole Handpiece Tubing (Dark Surf)

PN **435CT** Coiled w/ Connector..... **\$33.00**

PN **435T** Straight 7 ft. w/ Connector..... **\$22.70**

PN **435** Straight (per ft.)..... **\$1.30**

PN **435R** Straight 100 ft. Roll..... **\$96.00**

PN **435B** Straight 100 ft. Box..... **\$96.00**



235

**NEW**  
colors

## Replacement A-dec® Asepsis 2 Hole Syringe Tubing (Dark Surf)

PN **235C** Coiled..... **\$13.60**

PN **235** Straight (per ft.)..... **\$6.00**

PN **235R** 100 ft. Roll..... **\$48.00**

PN **235B** 100 ft. Box..... **\$48.00**

*These parts are manufactured by DCI to fit A-dec® equipment. DCI has no affiliation with A-dec Inc. DCI replacement parts are not manufactured under license or supervision of A-dec®.*







## Replacement A-dec® Vacuum Valves

PN 5061	Autoclavable Extended Vacuum Valve.....	<b>\$70.00</b>
PN 5060	Autoclavable Short Vacuum Valve.....	<b>\$64.00</b>
PN 5062	Autoclavable Saliva Ejector.....	<b>\$64.00</b>

*Note: These parts are not made by or in any way connected to A-dec®.*

PAGE **79** **ILLUSTRATED**  
Parts Breakdown



## Replacement A-dec® Dark Surf Vacuum Tubing

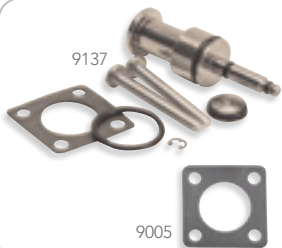
PN 737	1/2" I.D. Dark Surf (per ft.).....	<b>\$2.30</b>
PN S615	3/16" I.D. Dark Surf (per ft.).....	<b>\$.80</b>



## Locking Button Assembly to fit A-dec® AVS Vacuum Valves

PN 9174	Locking Button Assy, (A-dec® #10.0110.00).....	<b>\$13.00</b>
---------	--	----------------

- Fits AVS vacuum valves



## Parts to fit A-dec® Vacuum Drains

PN 9137	Vacuum Drain Service Kit, (A-dec® #90.0319.00).....	<b>\$48.00</b>
PN 9162	Vacuum Drain Valve Stem, (A-dec® #40.0772.00).....	<b>\$40.00</b>
PN 9122	Compression Spring, (A-dec® #013.004.00) (pkg of 10).....	<b>\$19.10</b>
PN 9128	Screw, 8-32 x 1 1/4" L, (A-dec® #001.023.00) (pkg of 25).....	<b>\$9.00</b>
PN 9159	Vacuum Poppet, (A-dec® #34.0003.00).....	<b>\$6.20</b>
PN 9005	Gasket 5- hole, (A-dec® #24.0136.01) (pkg of 10).....	<b>\$7.40</b>



## Push On Tip to fit A-dec® Saliva Ejectors

PN 5750	Black Tip, (A-dec® #12.0183.00).....	<b>\$2.90</b>
PN 5754	Gray Tip, (A-dec® #12.0183.01).....	<b>\$2.90</b>

See PG. 71  
for all SE tips  
& packages



## Plug to fit A-dec® Solids Collectors

PN 9177	HVE Hole Plug, (A-dec® #028.008.00) (pkg of 10).....	<b>\$3.90</b>
---------	--	---------------

- Plugs off extra HVE hole
- Easily removed to add HVE
- 1/2" O.D. x 1/4" I.D.

*These parts are manufactured by DCI to fit A-dec® equipment. DCI has no affiliation with A-dec Inc.  
DCI replacement parts are not manufactured under license or supervision of A-dec®.*



## Replacement A-dec® Foot Control (Dark Surf)

PN **6306** Wet/Dry & Scaler Button Foot Control w/signal relay  
(A-dec® #38.1601.00)..... **\$195.00**

- Additional configurations available upon request, contact Customer Service



## Parts to fit A-dec® Foot Controls (Dark Surf)

PN **6110** Wet/Dry Toggle w/ 3-Way Valve, (A-dec® #38.0604.00)..... **\$22.00**

PN **6113** Toggle Kit, Surf, (A-dec® #38.0075.03)..... **\$4.50**

PN **6112** Scaler/Accessory Button w/ 3-Way Valve  
(A-dec® #38.0612.00)..... **\$24.00**

PN **6111** Chip Blower Button w/ 2-Way Valve (A-dec® #38.0610.00)..... **\$24.00**

PN **6102** Housing, No Holes, (A-dec® #38.0319.02)..... **\$6.90**

PN **6103** Housing, 1 Hole for Wet/Dry Toggle, (A-dec® #38.0320.02)..... **\$6.90**

PN **6106** Housing, 1 Hole for Button, (A-dec® #38.0763.00)..... **\$7.00**

PN **6104** Housing, 2 Holes, (A-dec® #38.0321.02)..... **\$6.90**

PN **6107** Retaining Ring, (A-dec® #38.0237.00)..... **\$8.80**

PN **6070** Cover, (A-dec® #22.0110.00)..... **\$24.00**

PN **6095** Spring Clip, (A-dec® #010.056.00)..... **\$.40**



## 5 Hole Foot Control Tubing to fit A-dec® Foot Controls (Dark Surf)

PN **511** Straight (per ft.)..... **\$3.10**

PN **511R** 100 ft. Roll..... **\$260.00**

PN **511B** 100 ft. Box..... **\$260.00**

PN **653** Sheathed Asepsis 5-Hole Foot Control Tubing (per ft.)  
(A-dec® #024.202.01)..... **\$6.40**

- Polyurethane

*These parts are manufactured by DCI to fit A-dec® equipment. DCI has no affiliation with A-dec Inc. DCI replacement parts are not manufactured under license or supervision of A-dec®.*





9141



9012

## Parts to fit A-dec® Foot Control I

PN <b>9141</b>	Service Kit, (A-dec® #90.0010.00).....	<b>\$17.00</b>
PN <b>9010</b>	Plastic Poppet, (A-dec® #22.0060.00) (pkg of 10).....	<b>\$7.20</b>
PN <b>9160</b>	Piston Assembly, (A-dec® #22.0081.00).....	<b>\$14.40</b>
PN <b>9123</b>	Compression "Main" Spring, (A-dec® #22.0135.00) (pkg of 10).....	<b>\$9.60</b>
PN <b>6098</b>	Relay Stem, (A-dec® #22.0778.00).....	<b>\$2.30</b>
PN <b>9012</b>	Relay Diaphragm, (A-dec® #38.0054.02) (pkg of 10).....	<b>\$13.00</b>
PN <b>9029</b>	Foot Control Spring.....	<b>\$6.40</b>

- Foot Control (A-dec® #38.0050.00)
- Prior to 1980



9049



9026



6070



6046



6098



9012

## Parts to fit A-dec® Foot Control II

PN <b>9049</b>	Service Kit, (A-dec® #90.0312.00).....	<b>\$16.50</b>
PN <b>9125</b>	Main Compression "Cover" Spring (A-dec® #013.011.00) (pkg of 10).....	<b>\$10.50</b>
PN <b>9026</b>	Conical "Plunger Stem" Spring, (A-dec® #013.022.00) (pkg of 10).....	<b>\$6.20</b>
PN <b>6096</b>	Stem Assy, (A-dec® #38.0246.00).....	<b>\$7.80</b>
PN <b>6070</b>	Cover, (A-dec® #22.0110.00), Fits All A-dec® Foot Controls.....	<b>\$24.00</b>
PN <b>6046</b>	Retaining Ring, Gray, (A-dec® #38.0237.00), Also Fits A-dec® Foot Control III.....	<b>\$9.00</b>
PN <b>6098</b>	Signal Relay Stem w/ O-Rings, (A-dec® #22.0778.00).....	<b>\$2.30</b>
PN <b>9012</b>	Diaphragm, (A-dec® #38.0054.02) (pkg of 10).....	<b>\$13.00</b>
PN <b>9029</b>	Foot Control Spring.....	<b>\$6.40</b>

*These parts are manufactured by DCI to fit A-dec® equipment. DCI has no affiliation with A-dec Inc. DCI replacement parts are not manufactured under license or supervision of A-dec®.*

FEATURED NEW ITEM



## Parts to fit A-dec® Foot Control III

PN **9082** Service Kit, (A-dec® #90.0593.00)..... **\$24.00**

**Kit Includes:**

PN <b>8034</b>	Silicone Lubricant	\$7.00
PN <b>9010</b>	Plastic Poppet	\$7.20
PN <b>9029</b>	Foot Control Spring	\$6.40
PN <b>9012</b>	Diaphragm	\$13.00
PN <b>6042</b>	Compression Spring	\$1.60
PN <b>2210</b>	O-Ring	\$2.90
PN <b>6097</b>	Piston w/Seal	\$14.50
PN <b>6098</b>	Stem w/O-Rings	\$2.30
PN <b>9066</b>	Compression Spring, (A-dec® #22.0580.00) (pkg of 10)	\$4.20

9082



## Parts to fit A-dec® Lever Style Foot Control

PN <b>9144</b>	Service Kit, (A-dec® #90.0313.00).....	<b>\$22.00</b>
PN <b>9166</b>	Valve Stem Assy, (A-dec® #38.0211.00).....	<b>\$10.50</b>
PN <b>6098</b>	Relay Stem Assy, (A-dec® #22.0778.00).....	<b>\$2.30</b>
PN <b>9121</b>	Extension Spring, (A-dec® #38.0208.00).....	<b>\$12.40</b>
PN <b>9124</b>	Compression Spring, (A-dec® #013.019.00) (pkg of 10).....	<b>\$12.40</b>
PN <b>9012</b>	Diaphragm, (A-dec® #38.0054.02) (pkg of 10).....	<b>\$13.00</b>
PN <b>9171</b>	Brass Washer, (A-dec® #004.057.00) (pkg of 10).....	<b>\$4.40</b>
PN <b>9029</b>	Foot Control Spring (A-dec #10.0440.00).....	<b>\$6.40</b>

9144



## Parts to fit A-dec® Water Filter

PN <b>9138</b>	Service Kit, (A-dec® #90.0070.00).....	<b>\$2.50</b>
PN <b>9039</b>	Filter Disc "Bronze," (A-dec® #19.0220.01) (pkg of 5).....	<b>\$4.50</b>
PN <b>9002</b>	Diaphragm, (A-dec® #22.0440.02) (pkg of 10).....	<b>\$6.70</b>

9138

- Includes: diaphragm, spring, & filter disc

FEATURED



## Parts to fit A-dec® Air Filter/Regulator

PN <b>9139</b>	Service Kit, (A-dec® #90.0030.00).....	<b>\$39.00</b>
PN <b>7217</b>	Diaphragm Assy, (A-dec® #97.0200.00).....	<b>\$31.00</b>
PN <b>7226</b>	Filter Element 40 micron, (A-dec® #97.0280.02).....	<b>\$13.30</b>
PN <b>3090</b>	Valve Core, (A-dec® #026.033.01) (pkg of 10).....	<b>\$6.00</b>
PN <b>9126</b>	Compression Spring (pkg of 10).....	<b>\$10.30</b>

9139

- Includes valve core, spring, diaphragm, poppet, O-Ring, element

*These parts are manufactured by DCI to fit A-dec® equipment. DCI has no affiliation with A-dec Inc. DCI replacement parts are not manufactured under license or supervision of A-dec®.*



Easy Online Ordering



## Shut-Off Valve/Filter Assemblies to fit A-dec® Utility Centers

PN 9187	Air Shut-Off Valve.....	\$64.40
PN 9188	Water Shut-Off Valve.....	\$64.40

- For air or water
- Includes 40 micron filter
- 3/8" compression tube connection



## Parts to fit A-dec® Air/Water Regulators

PN 9145	Service Kit, (A-dec® #90.0040.00).....	\$32.00
PN 7217	Diaphragm Assy, (A-dec® #97.0200.00).....	\$31.00

- Kit Includes: diaphragm, spring, poppet, O-Ring

FEATURED



## Parts to fit A-dec® Air/Water Filters

PN 9107	Filter Kit, (A-dec® #24.0229.00 / #24.0234.01 / #030.019.00).....	\$10.80
PN 9108	Filter Housing, (A-dec® #24.0229.00).....	\$7.20
PN 7247	Filter Element, (A-dec® #24.0234.01) (ea.).....	\$2.70
PN 7248	Filter Element, (A-dec® #24.0234.01) (pkg of 6).....	\$11.00

- Kit Includes: housing, O-Rings, 40 micron filter element



## Parts to fit A-dec® Air/Water Shut-off Valves

PN 9140	Service Kit, (A-dec® #90.0090.00).....	\$17.00
PN 9163	Stem, (A-dec® #30.0731.00).....	\$20.00
PN 9127	Compression Spring, (A-dec® #19.0230.00) (pkg of 10).....	\$10.00
PN 9002	Diaphragm, (A-dec® #24.0440.02) (pkg of 10).....	\$6.70

- Kit Includes: stem, spring, diaphragm



## Parts to fit A-dec® Air Valve, White Body

PN 9105	Service Kit.....	\$14.00
PN 9097	White Body Only, (A-dec® #24.0135.00).....	\$10.00
PN 9106	Plastic Piston Assy, (A-dec® #24.0132.00).....	\$1.80
PN 9098	Conical Spring, (A-dec® #22.0460.00) (pkg of 10).....	\$5.00
PN 9004	Gasket 9-Hole, (A-dec® #24.0137.01) (pkg of 10).....	\$6.00
PN 9002	Diaphragm, (A-dec® #22.0440.02) (pkg of 10).....	\$6.70
PN 9005	5-Hole Gasket, (A-dec® #24.0136.01) (pkg of 10).....	\$7.40

*These parts are manufactured by DCI to fit A-dec® equipment. DCI has no affiliation with A-dec Inc. DCI replacement parts are not manufactured under license or supervision of A-dec®.*

FEATURED



## Parts to fit A-dec® Water Valve, Black Body

PN 9093	Service Kit.....	<b>\$12.00</b>
PN 9094	Black Body Only, (A-dec® #24.0355.00).....	<b>\$10.00</b>
PN 9106	Plastic Piston Assy, (A-dec® #24.0132.00).....	<b>\$1.80</b>
PN 9095	Conical Spring, (A-dec® #13.032.00) (pkg of 10).....	<b>\$5.00</b>
PN 9004	Gasket 9-Hole, (A-dec® #24.0137.01) (pkg of 10).....	<b>\$6.00</b>
PN 9002	Diaphragm, (A-dec® #22.0440.00) (pkg of 10).....	<b>\$6.70</b>



## Stems to fit A-dec® Micro Valves

PN 9013	Micro Valve, (A-dec® #29.0810.00) Fits 2-way (A-dec® #38.0062.00).....	<b>\$1.20</b>
PN 9014	Micro Valve, (A-dec® #29.0820.00) Fits 3-way (A-dec® #29.0185.00).....	<b>\$1.20</b>
PN 9017	Balanced Micro Valve, (A-dec® #38.0087.00) Fits 2-way (A-dec® #38.0086.00).....	<b>\$3.50</b>



## Stems to fit A-dec® Valves

PN 9016	Fits Century II Cartridge Valve, (A-dec® #29.0840.00).....	<b>\$4.90</b>
PN 9048	Fits Century II Block w/ Water Retraction, (A-dec® #29.0835.00).....	<b>\$4.50</b>
PN 9050	Fits Century II Control Block, (A-dec® #29.0831.00).....	<b>\$2.50</b>
PN 9015	Fits Century II Water Coolant Valve, (A-dec® #29.0840.00).....	<b>\$4.80</b>
PN 6098	Fits Foot Control Relay, (A-dec® #22.0778.00).....	<b>\$2.30</b>



## Parts to fit A-dec® Air Coolant Auto Block

PN 9142	Service Kit, (A-dec® #90.0012.00).....	<b>\$23.00</b>
PN 9164	Valve Stem, (A-dec® #22.0999.00).....	<b>\$17.00</b>

FEATURED



## Parts to fit A-dec® Water Valve Auto Block

PN 9143	Service Kit, (A-dec® #90.0014.00).....	<b>\$18.40</b>
PN 9165	Valve Stem, (A-dec® #22.0776.00) (pkg of 3).....	<b>\$16.20</b>
PN 9109	Valve Stem "Pin Style," (A-dec® #29.0972.00 ) (pkg of 3).....	<b>\$5.50</b>
PN 9098	Compression Spring, (A-dec® #22.0460.00) (pkg of 10).....	<b>\$5.00</b>

*These parts are manufactured by DCI to fit A-dec® equipment. DCI has no affiliation with A-dec Inc. DCI replacement parts are not manufactured under license or supervision of A-dec®.*





### Replacement A-dec® External Retaining Ring

- PN **9038** Fits Vacuum Valve Stems, (A-dec® #010.019.00)  
(pkg of 10)..... **\$3.20**
- PN **9035** Fits Needle Valve & Air Saliva Ejector Jet Assy Cartridge  
(A-dec® #010.002.00) (pkg of 10)..... **\$2.50**



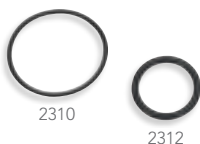
### Replacement A-dec® Internal Retaining Ring

- PN **9037** Internal 1/4" O.D. Fits Century II Old Style,  
(A-dec® #010.017.00) (pkg of 10)..... **\$3.10**
- PN **9036** Internal 3/8" O.D. Fits Century II New Style,  
(A-dec® #010.013.00) (pkg of 10)..... **\$3.10**



### Miscellaneous Screws to fit A-dec® Equipment

- PN **9021** Socket Head 6-32 x 1/4" Stainless Steel,  
(A-dec® #001.034.00) (pkg of 10)..... **\$3.80**
- PN **9024** Pan Head Slotted 6-32 x 1/4"  
(A-dec® #001.073.00) (pkg of 10)..... **\$4.20**
- PN **9025** Truss Head Slotted 2-56 x 1/8" Stainless Steel,  
(A-dec® #001.002.00) (pkg of 10)..... **\$3.40**



### O-Rings to fit A-dec® Vacuum Systems

- PN **2310** Non-Autoclavable O-Ring, (A-dec® #030.026.01) (pkg of 12)..... **\$6.00**
- PN **2312** Non-Autoclavable O-Ring, (A-dec® #030.014.02) (pkg of 12)..... **\$6.00**
- 2312 for A-dec® Cascade solids collector ports
  - 2310 fits A-dec® Cascade solids collector lid



### Replacement A-dec® Nylon Washer "Small I.D."

- PN **9042** Nylon Washer, .142 I.D. x .312 O.D.  
(A-dec® #004.036.00) (pkg of 50)..... **\$8.00**



### Replacement A-dec® Pivot Arm Locking Tab

- PN **9184** Arm Locking Tab, (A-dec® #28.0566.00) (6300)..... **\$18.50**

*These parts are manufactured by DCI to fit A-dec® equipment. DCI has no affiliation with A-dec Inc.  
DCI replacement parts are not manufactured under license or supervision of A-dec®.*



9053

- 12 Common Replacement Socket Head Screws to fit A-dec® delivery systems. 25 each of the screws packaged in a 12 compartment box.

## Hardware Kit to fit A-dec® Equipment

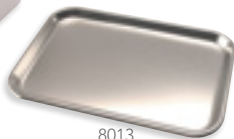
PN **9053** Hardware Kit..... **\$100.00**

**Kit includes the following screws:**

PN <b>9064</b>	1/4 - 20 x 5/8", Zinc, pkg of 25	(A-dec® #001.089.00)
PN <b>9054</b>	6-32 x 3/8", Zinc, pkg of 25	(A-dec® #001.033.00)
PN <b>9055</b>	6-32 x 1/2", Zinc, pkg of 25	(A-dec® #001.042.00)
PN <b>9056</b>	6-32 x 5/8", Zinc, pkg of 25	(A-dec® #001.010.00)
PN <b>9057</b>	6-32 x 7/8", SST, pkg of 25	(A-dec® #001.026.00)
PN <b>9058</b>	6-32 x 1/4", Zinc, pkg of 25	(A-dec® #001.034.00)
PN <b>9071</b>	6-32 x 1", SST, pkg of 25	(A-dec® #002.011.00)
PN <b>9059</b>	4-40 x 1/4", Zinc, pkg of 25	(A-dec® #003.078.00)
PN <b>9060</b>	4-40 x 3/8", SST, pkg of 25	(A-dec® #001.024.00)
PN <b>9061</b>	4-40 x 1/2", SST, pkg of 25	(A-dec® #001.021.00)
PN <b>9062</b>	4-40 x 3/4", Zinc, pkg of 25	(A-dec® #002.024.00)
PN <b>9063</b>	2-56 x 1/2", Zinc, pkg of 25	(A-dec® #001.070.00)



8410



8013

## Replacement A-dec® Tubs & Trays

PN **8410** Plastic Tub for Trays & Carts, (A-dec® #16.0562.00)..... **\$32.00**  
 PN **8013** Stainless Steel Tray 9 3/4" x 13 1/2", (A-dec® #043.001.00)..... **\$39.90**

See PG. 86  
for complete  
parts of tubs



- 5/16" O.D. tubing is used by A-dec®

## 5/16" O.D. Polyurethane Supply Tubing

COLOR	PER FT.	100 FT. ROLL	100 FT. BOX
	<b>\$3.20</b>	<b>\$120.00</b>	<b>\$120.00</b>
Black	<b>1701</b>	<b>1701R</b>	<b>1701B</b>
Blue	<b>1702</b>	<b>1702R</b>	<b>1702B</b>
Clear	<b>1703</b>	<b>1703R</b>	<b>1703B</b>
Orange	<b>1706</b>	<b>1706R</b>	<b>1706B</b>
Yellow	<b>1708</b>	<b>1708R</b>	<b>1708B</b>



## 5/16" Barb Fitting to fit A-dec® Tubing

PN **0171** 10-32 x 5/16" Barb, (pkg of 10) (A-dec® #023.805.01)..... **\$5.00**

*These parts are manufactured by DCI to fit A-dec® equipment. DCI has no affiliation with A-dec Inc. DCI replacement parts are not manufactured under license or supervision of A-dec®.*



Easy Online Ordering



## Dentech® Multi-Function Block Assembly Repair Kit



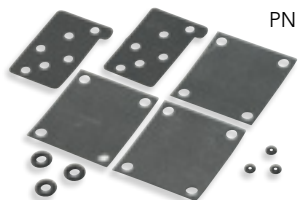
PN 9090 Block Repair Kit..... **\$30.90**

### Kit Includes:

- PN 9086 Flat Seal Gasket
- PN 9085 Diaphragm, Control Block
- PN 2203 O-Ring 11-006
- PN 2230 O-Ring 11-002
- PN 9081 Spring, Check Valve
- PN 9084 Diaphragm, Coolant Block
- PN 9083 Spring, Coolant Valve
- PN 9080 Piston w/ O-Rings

- Used to repair (Dentech® #20-02-115) block assembly w/ 3 handpieces & syringe

## Dentech® Multi-Function Block Assembly Repair Kit



PN 9089 Block Repair Kit..... **\$12.40**

### Kit Includes:

- PN 9085 Diaphragm, Control Block
- PN 2230 O-Ring 11-002
- PN 2203 O-Ring 11-006
- PN 9086 Flat Seal Gasket

- Dentech® repair kit (Dentech® #40-02-062)

## Dentech® Multi-Function Block Repair Kit



PN 9088 Block Repair Kit..... **\$29.00**

### Kit Includes:

- PN 9083 Spring, Coolant Valve
- PN 9080 Piston w/ O-Rings
- PN 9084 Diaphragm, Coolant Block
- PN 9081 Spring, Check Valve
- PN 2230 O-Ring 11-002
- PN 2229 O-Ring 11-004

- Dentech® repair kit (Dentech® #30-02-080)

*These parts are manufactured by DCI to fit Dentech® equipment. DCI has no affiliation with Dentech. DCI replacement parts are not manufactured under license or supervision of Dentech®.*



## Dentech® Coolant Block Repair Kit

PN 9087 Coolant Block Repair Kit..... **\$26.00**

**Kit Includes:**

- PN 9083 Spring, Coolant Valve
- PN 9080 Piston w/ O-Ring
- PN 9084 Diaphragm
- PN 9081 Spring, Check Valve
- Dentech® repair kit (Dentech® #40-02-036)



## Dentech® Coolant Block Diaphragm

PN 9084 Coolant Block Diaphragm (pkg of 5)..... **\$12.30**

- Replaces (Dentech® #01-05-024)



## Dentech® Control Block Diaphragm

PN 9085 Control Block Diaphragm (pkg of 5)..... **\$8.50**

- Replaces (Dentech® #01-05-002)



## Dentech® Flat Seal Gasket

PN 9086 Flat Seal Gasket (pkg of 5)..... **\$8.50**

- Replaces (Dentech® #01-05-001)



## Dentech® Piston Assembly w/ O-Rings

PN 9080 Piston Assembly..... **\$5.70**

- Replaces (Dentech® #01-02-081)
- Multi-function block
- Coolant Block
- Includes O-Rings



## Dentech® Coolant Valve Spring

PN 9083 Coolant Valve Spring (pkg of 10)..... **\$17.50**

- Replaces (Dentech® #01-10-019)
- Multi-function block
- Coolant block



## Dentech® Check Valve Spring

PN 9081 Check Valve Spring (pkg of 10)..... **\$34.00**

- Replaces (Dentech® #01-10-039)
- Multi-function block

*These parts are manufactured by DCI to fit Dentech® equipment. DCI has no affiliation with Dentech. DCI replacement parts are not manufactured under license or supervision of Dentech®.*



NEW ITEM



### Forest Control Block

PN **4437** Forest 3 HP block Gasket (Forest #0022-020)..... **\$2.70**

- Replacement for Forest tri-block 1100-170

NEW ITEM



### Master Shut-off/Regulator – Air

PN **7287** Master Shut-off/Regulator for Air..... **\$104.00**

- Includes regulator, shut off valve, filter and gauge for air

NEW ITEM



### Master Shut-off/Regulator – Water

PN **7288** Master Shut-off/Regulator for Water..... **\$104.00**

- Includes regulator, shut off valve, filter and gauge for water

NEW ITEM



### Water Relay & Flow Control "Combo" Valves

PN **7187** Midmark Combo Valve (Midmark #029-3411-00)..... **\$46.00**

- Water relay valve with flow
- Replacement for most newer Midmark Dental Units
- 35 PSI Activation Pressure

NEW ITEM



### Needle Valve "Hex Body" Knobs

PN **7185** Flow Control Knob, Blue (Midmark #053-1165-01)..... **\$3.40**

- 1/4" Brass insert shaft
- Smooth type knob

*These parts are manufactured by DCI to fit Midmark & Forest equipment. DCI has no affiliation with Midmark or Forest. DCI replacement parts are not manufactured under license or supervision of Midmark or Forest.*

FEATURED

## Pelton & Crane Executive Conversion Kit

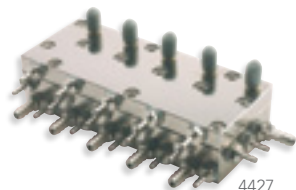
PN **4446** Executive Conversion Kit ..... **\$2,730.00**



- Precision Comfort™ Premium Autoclavable Vacuum Valves include two 5112 HVEs & one 5222 SE
- Automatic control for three handpieces
- Individual flow control for water coolant to each handpiece
- Individual handpiece pressure adjustments
- Includes 8323 utility center
- Automatic handpiece holders w/ manual lockout toggle
- Variable speed disc-type foot control w/ wet/dry toggle
- Precision Comfort™ three-way syringe
- Dimensions: 12 1/2" x 18" x 4 1/2"
- 6 ft. Umbilical
- Specify tubing color & type

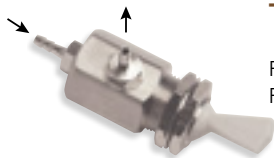
## P&C / Marus® Handpiece Control Blocks

PN <b>4380</b>	Twin-Block w/ Long Adjustment Screws.....	<b>\$80.00</b>
PN <b>4382</b>	Twin-Block w/ Std. Adjustment Screws.....	<b>\$80.00</b>
PN <b>4421</b>	Tri-Block.....	<b>\$90.00</b>
PN <b>4425</b>	Quad-Block.....	<b>\$125.00</b>
PN <b>4427</b>	Quin-Block.....	<b>\$210.00</b>
PN <b>4381</b>	Diaphragm, Twin-Block.....	<b>\$2.60</b>
PN <b>4430</b>	Diaphragm, Tri-Block.....	<b>\$3.20</b>
PN <b>4433</b>	Diaphragm, Quad-Block.....	<b>\$3.60</b>
PN <b>4434</b>	Diaphragm, Quin-Block.....	<b>\$2.20</b>
PN <b>4432</b>	Drive Air Adjusting Screw.....	<b>\$5.70</b>
PN <b>4426</b>	Mounting Bracket.....	<b>\$9.50</b>



- Consistent flow control for handpiece pressure adjustments
- Higher output due to improved airflow
- Longer lasting diaphragm
- No internal cross-over of air or water
- Block dimensions, 1 1/2" x 1 1/2" x 1" (4382)
- Block dimensions, 2 3/8" x 1 1/2" x 1" (4421)
- Block dimensions, 3 1/8" x 1 1/2" x 1" (4425)
- Block dimensions, 3 3/4" x 1 1/2" x 1" (4427)

*These parts are manufactured by DCI to fit Pelton & Crane® and Marus® equipment. DCI has no affiliation with Pelton & Crane or Marus. DCI replacement parts are not manufactured under license or supervision of Pelton & Crane® or Marus®.*


**Toggle On / Off Valve Hex Body (Gray)**

PN 7012	2-Way Valve.....	<b>\$13.60</b>
PN 7016	3-Way Valve.....	<b>\$13.60</b>

- Panel-mounting 15/32-32 thread w/ nut
- 2-way for air or water; 3-way for air only


**Toggle Momentary Valve "Hex Body" (Gray)**

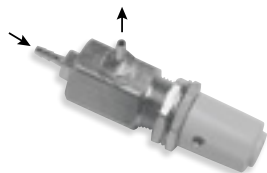
PN 7021	2-Way Valve	N.C.....	<b>\$14.00</b>
PN 7026	3-Way Valve	N.C.....	<b>\$14.00</b>
PN 7027	3-Way Valve	N.O.....	<b>\$16.50</b>

- Panel-mounting 15/32-32 thread w/ nut
- 2-way for air or water; 3-way for air only


**Toggle Routing "Selector" Valve Hex Body (Gray)**

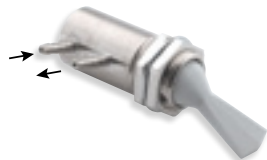
PN 7001	Routing Valve.....	<b>\$17.00</b>
---------	--------------------	----------------

- Toggle on/off for routing 1 input & 2 output, or 2 input & 1 output
- Panel-mounting 15/32-32 thread w/ nut
- For air or water


**Needle Valve "Hex Body (Gray)**

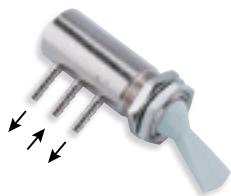
PN 7052	Needle Valve.....	<b>\$16.00</b>
PN 7069	Knob.....	<b>\$2.80</b>

- Fine flow control adjustment for air or water
- Panel-mounting 15/32-32 thread w/ nut


**Toggle On / Off Valve Side Port "Round Body" (Gray)**

PN 7156	3-Way Valve.....	<b>\$21.90</b>
---------	------------------	----------------

- Port barbs for 1/8" O.D. tubing
- 3-way for air only
- Panel-mounting 15/32-32 thread w/ nut

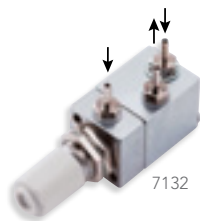

**Toggle Routing "Selector" Valve Round Body (Gray)**

PN 7151	Selector Valve.....	<b>\$40.00</b>
---------	---------------------	----------------

- Panel mounting 15/32-32 thread w/ nut
- Routes signal air
- Port barbs for 1/8" O.D. tubing
- Exhausting valve, for air only

*These parts are manufactured by DCI to fit Pelton & Crane® and Marus® equipment. DCI has no affiliation with Pelton & Crane or Marus. DCI replacement parts are not manufactured under license or supervision of Pelton & Crane® or Marus®.*

FEATURED



### Water Relay / Flow Control Combo-Valve

PN <b>7132</b>	Water Relay w/ Flow Control.....	<b>\$50.00</b>
PN <b>7133</b>	Combo Valve Service Kit.....	<b>\$9.00</b>

- 10-15 PSI Activation pressure
- Standard panel mount

NEW ITEM



### Toggle Momentary On / Off "Rear Ported"

<u>GRAY</u>	<u>BLACK</u>		
<b>7169</b>	<b>7168</b>	2-Way Valve.....	<b>\$25.80</b>

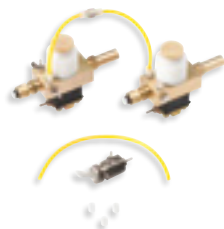
- Rear ported valve
- 2-way valve for air or water
- Panel-mounting 15/32-32 thread w/ nut



### Cuspidor / Cup Filler Time Delay Valve Assembly

PN <b>9275</b>	Time Delay Valve (P&C #043990).....	<b>\$74.70</b>
PN <b>9134</b>	Time Delay, Relay Assy.....	<b>\$38.00</b>

- Controls length of time bowl or cup fill is activated
- 1/4" Poly Inlet & Outlet



### Junction Box Valve Kit

PN <b>9118</b>	Junction Box Valve Kit Air & Water Shut.....	<b>\$157.10</b>
----------------	--	-----------------

- Off w/ filter element
- 40 micron filter element
- Air pilot controlled
- Includes 3-way on / off toggle valve
- 3/8" compression inlet



### Inline Check Valve

PN <b>7140</b>	Check Valve w/ Ball, 1/16" Barb.....	<b>\$9.70</b>
PN <b>7141</b>	Check Valve w/ Ball, 1/8" Barb.....	<b>\$9.70</b>

- For use w/ non water retraction
- 1/16" or 1/8" barbs
- Allows flow in 1 direction only

*These parts are manufactured by DCI to fit Pelton & Crane® and Marus® equipment. DCI has no affiliation with Pelton & Crane or Marus. DCI replacement parts are not manufactured under license or supervision of Pelton & Crane® or Marus®.*





### Rectangular Pressure Gauge

PN 7270	Rectangular Air Gauge.....	<b>\$30.80</b>
	<ul style="list-style-type: none"> <li>• 0-60 PSI reading</li> <li>• For air only</li> <li>• 1/2" H x 1 3/4" W</li> </ul>	



### Asepsis Handpiece Holder

PN 4869	Asepsis Holder, Gray, Normally Closed.....	<b>\$40.00</b>
PN 4568	Standard Asepsis Holder, Gray.....	<b>\$30.00</b>
PN 5983	Rear Port Micro Valve, Normally Closed.....	<b>\$11.50</b>
	<ul style="list-style-type: none"> <li>• Air operated actuator control</li> <li>• Resists chemical discoloration</li> <li>• Designed for 1/2" bar-mounting</li> <li>• Adjustable tilt angle</li> </ul>	



### Exhaust Muffler / Oil Collector

PN 7321	Muffler.....	<b>\$28.00</b>
	<ul style="list-style-type: none"> <li>• Can be mounted through frame for removal from outside control head</li> <li>• Will handle up to four handpieces</li> <li>• Minimum back pressure</li> <li>• Compact size to fit inside control head</li> <li>• Filter media is standard cotton swab material</li> </ul>	



### Syringe Components

PN 3085	Syringe Button Cartridge.....	<b>\$9.00</b>
PN 3066	Syringe Repair Kit.....	<b>\$8.00</b>
	<ul style="list-style-type: none"> <li>• Fits standard style syringe</li> </ul>	



### Foot Control Repair Kits

PN 6163	Foot Control Repair Kit.....	<b>\$11.50</b>
	<ul style="list-style-type: none"> <li>• Wet / Dry Disc Type</li> </ul>	



### Solids Collector Screens

PN 5823	Collector Screen.....	<b>\$9.00</b>
PN 5822	Collector Screen (pkg of 100).....	<b>\$34.00</b>
PN 6821	Pelton & Crane® Spirit Line Solids Collector (pkg of 144).....	<b>\$50.00</b>
	<ul style="list-style-type: none"> <li>• For use w/ 1500 series units</li> <li>• Sirona / Siemens C2, C3, C4, C6</li> <li>• Pelton &amp; Crane® S1 &amp; S2</li> </ul>	

These parts are manufactured by DCI to fit Pelton & Crane® and Marus® equipment. DCI has no affiliation with Pelton & Crane or Marus. DCI replacement parts are not manufactured under license or supervision of Pelton & Crane® or Marus®.

NEW ITEM



### Marus Foot Control Repair Kit

PN **6166** Kit, (Marus #85R186)..... **\$44.00**

**Kit includes:**

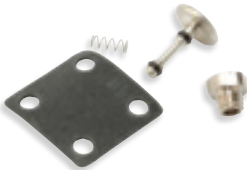
- PN 6011 Large Spring
- PN 6018 Piston
- PN 2210 Piston O-Ring
- PN 6012 Conical Spring
- PN 2207 Body O-Ring
- PN 9010 Poppet
- PN 6016 Poppet Cap
- PN 6013 Toggle Spring
- PN 5948 Pilot Valve
- PN 9750 4 x 1/2 Pan Head Phillips Screw
- PN 9746 6 x 1/2 Pan Head Phillips Screw
- PN 6014 6-32 x 1/4 Pan Head Phillips Screw



### Adjustable Cuspidor Hinge

PN **4152** Adjustable Cuspidor Hinge..... **\$31.60**

- Fits DCI 6000 and older Belmont cuspidors



### Foot Control Relay Repair Kit

PN **6165** Signal Relay Repair Kit..... **\$6.50**



6132

### Foot Control Toggle & Scaler Control Valves

PN **6132** Toggle Valve Assembly..... **\$24.00**  
 PN **6094** 3 Way Scaler Button Valve Assembly..... **\$24.00**

- Wet / Dry control toggle

*These parts are manufactured by DCI to fit Pelton & Crane® and Marus® equipment. DCI has no affiliation with Pelton & Crane or Marus. DCI replacement parts are not manufactured under license or supervision of Pelton & Crane® or Marus®.*



# Light Parts & Bulbs



208

Light Posts  
& Accessories



209 – 211

A-dec®



212 – 213

Belmont



214

Marus/Ritter/MDT



215 – 218

Pelton & Crane®



219 – 222

Replacement Bulbs



## TECH TIP

### Arcing is bad news for bulbs and sockets!

Do you know how to spot signs of arcing when changing bulbs and sockets?

Look for blackened areas and pitting on metal that should otherwise be smooth. If you see any other signs of arcing, you should change out both the bulb and socket to prevent callbacks for repeated failures.



Arcing is a sign that there is insufficient contact between the bulb and socket for the current required.

To prevent this, make sure the bulbs are seated fully and that high quality bulbs and sockets are used. When there are signs of arcing, replace both the socket and the bulb.

# LIGHT POSTS & ACCESSORIES



8470



8408



8476

## Light Post Accessories

PN <b>8470</b>	Pelton & Crane® Light Bushing.....	<b>\$24.00</b>
PN <b>8471</b>	Ritter Light Bushing.....	<b>\$24.00</b>
PN <b>8476</b>	Crush Bushing for Base of Post.....	<b>\$24.00</b>
PN <b>8472</b>	8' Power Cord.....	<b>\$20.00</b>
PN <b>8474</b>	2" White Post Cap.....	<b>\$28.00</b>
PN <b>8408</b>	2" Gray Post Cap.....	<b>\$28.00</b>
PN <b>8475</b>	2" Stainless Post Cap.....	<b>\$28.00</b>
PN <b>9279</b>	15' Power Cord.....	<b>\$30.00</b>

- Nylon Bushing fits 2" Posts
- **8470:** 1 7/8" O.D. x 1 11/16" I.D. for P&C, A-dec®, Marus®, Belmont, Knight L lights
- **8471:** 1 7/8" O.D. x 1 3/8" I.D. for Ritter K, Dental EZ, Prama, Daray, Faro, Forest lights



8431

## Light Post Extensions

WHITE	GRAY	METAL	LENGTH	
<b>8921</b>	<b>8969</b>	<b>8431</b>	24" Post w/ P&C Bushing.....	<b>\$180.00</b>
<b>8922</b>	<b>8972</b>	<b>8432</b>	24" Post w/ Ritter Bushing.....	<b>\$180.00</b>
<b>8463</b>	<b>8986</b>		30" Post w/ P&C Bushing.....	<b>\$185.00</b>
<b>8464</b>	<b>8987</b>		30" Post w/ Ritter Bushing.....	<b>\$185.00</b>
<b>8466</b>	<b>8409</b>	<b>8465</b>	Butterfly Clamp For 2" Post.....	<b>\$78.00</b>

- Kit includes light post bushing, "Butterfly" clamp, 8' extension cord & post
- 24" or 30" post length
- Scratch resistant powder coat finish



## Light Posts

WHITE	GRAY	METAL	LENGTH	
<b>8912</b>	<b>8939</b>	<b>8478</b>	24" Post.....	<b>\$136.00</b>
<b>8421</b>	<b>8940</b>	<b>8218</b>	30" Post.....	<b>\$145.00</b>
<b>8913</b>	<b>8945</b>	<b>8454</b>	40" Post.....	<b>\$190.00</b>
<b>8449</b>	<b>8949</b>	<b>8453</b>	48" Post.....	<b>\$210.00</b>
<b>8914</b>	<b>8952</b>	<b>8450</b>	60" Post.....	<b>\$219.00</b>
<b>8474</b>	<b>8408</b>	<b>8475</b>	Post Cap.....	<b>\$28.00</b>

- 2" Diameter posts
- Post painted w/ a scratch resistant powder coat finish

**REFER TO  
SERVICE ITEMS SECTION**

for electrical components  
such as electrical plugs & cords!





### Light Reflector to fit A-dec® 6300

PN **8938** Light Reflector..... **\$401.70**

- Fits Cascade "6300" Lights
- Reflector is NEW, not re-coated
- 4 year warranty on "optic" coating



### Light Shield to fit A-dec® 6300

PN **9390** Light Shield Only (A-dec® #28.0503.01)..... **\$21.00**

- Replacement for A-dec® 500/6300 halogen lights
- Coated for easier cleaning and protection

FEATURED



### Bulb to fit A-dec® 6300

PN **9364** Bulb, (A-dec® #041.709.00)..... **\$24.00**

- 17 Volt / 95 watt
- Fits Cascade "6300" lights
- Replaces older 24V 150W bulbs



### Light Shield Bracket Assembly to fit A-dec® 6300

PN **8619** Bracket Assembly, Surf (pkg of 2)  
(A-dec® #28.1012.00)..... **\$13.90**

*These parts are manufactured by DCI to fit A-dec® equipment. DCI has no affiliation with A-dec Inc.  
DCI replacement parts are not manufactured under license or supervision of A-dec®.*

## Power Switch to fit A-dec® Cascade 6300



PN **8114** Power Switch..... **\$22.00**

- SPST Switch
- 125 Volt rating, 6" leads

## Intensity Switch to fit A-dec® Cascade 6300



PN **2885** Intensity Switch, (A-dec® #43.0054.00)..... **\$31.00**

- 3 position - High/Med/Low
- 125 VAC
- 6 amp rating
- Factory Installed Wires

## Circuit Breaker to fit A-dec® Cascade 6300



PN **2888** Circuit Breaker, (A-dec® #046.123.000)..... **\$15.50**

PN **9304** Circuit Breaker, Cascade & Pre-Cascade (A-dec #28.0758.00)..... **\$30.40**

- 10 amp
- Manual reset

FEATURED

## Lamp Socket to fit A-dec® Cascade 6300



PN **2887** Lamp Socket, (A-dec® #90.0463.01)..... **\$27.40**

- 12" leads
- Fits Cascade "6300" light
- Ceramic Socket

## Bulb to fit A-dec® Performer



PN **8688** Performer Bulb, (A-dec® #041.513.00)..... **\$12.50**

- H-3 Bulb Type, 12 Volt AC/55 watt

*These parts are manufactured by DCI to fit A-dec® equipment. DCI has no affiliation with A-dec Inc. DCI replacement parts are not manufactured under license or supervision of A-dec®.*



## Performer, Cascade, 6300 Replacement Light Cables



**PN 9575** ..... **\$140.00**  
Replacement A-dec® 6300  
Ceiling Mount Cable Assy  
for Lights after April 1, 2004  
(A-dec® #28.1587.00)



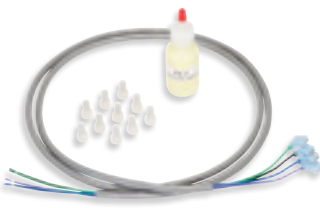
**PN 9576** ..... **\$140.00**  
Replacement A-dec® 571  
Light Cable Assy 216®  
(A-dec® #28.1838.00)



**PN 9577** ..... **\$140.00**  
Replacement A-dec® 6300  
Wall & Preference Mount  
Cable Assy for Lights after  
April 1, 2004  
(A-dec® #28.1585.00)



**PN 9578** ..... **\$110.00**  
Replacement A-dec® 6300  
Track Flexarm Cable Assy  
for Lights after April 1, 2004  
(A-dec® #28.1584.00)



**PN 9579** ..... **\$140.00**  
Replacement A-dec® 6300  
Post Mount Cable Assy  
for Lights after April 1, 2004  
(A-dec® #28.1586.00)



**PN 9580** ..... **\$110.00**  
Replacement A-dec® 6300  
Track & Trolley Cable Assy  
for Lights after April 1, 2004  
(A-dec® #28.1604.00)



**PN 9581** ..... **\$100.00**  
Replacement A-dec®  
Performer & Pre-Cascade  
6300 Cable Kit from Light  
Through Flexarm to Postbox  
(A-dec® #90.1054.00)



**PN 9582** ..... **\$140.00**  
Replacement Upgrade  
Toggle Kit A-dec® 371  
Light Cable Assy  
(A-dec® #90.1314.00)



**PN 9583** ..... **\$110.00**  
Replacement A-dec® Cascade  
6300 Cable Kit for Lights  
Prior to April 1, 2004  
(A-dec® #90.1053.00)

*These parts are manufactured by DCI to fit A-dec® equipment. DCI has no affiliation with A-dec Inc.  
DCI replacement parts are not manufactured under license or supervision of A-dec®.*



### Belmont X-Calibur Light Shield

PN **8631** Belmont X-Calibur Light Shield, (Belmont #HLU 2005)..... **\$8.00**

- Fits all rectangular shaped shields

NEW ITEM



8959

### Belmont Light Shield

PN **8603** Belmont Light Shield, (Belmont #8000 2005)..... **\$7.90**

PN **8959** Clesta Light Shield..... **\$58.00**

- Fits all oval shaped shields



### Belmont Power Switch

PN **2886** Belmont Power Switch..... **\$24.00**

- DPDT - 3 position
- 115 Volt AC / 10 amp



### Download the DCI Catalog App

Looking for a digital version of the DCI Catalog? Visit the iTunes or Android app store and download it today. View the catalog on your mobile device, iPad or laptop!

*These parts are manufactured by DCI to fit Belmont® equipment. DCI has no affiliation with Belmont. DCI replacement parts are not manufactured under license or supervision of Belmont®.*



## Belmont Bulbs



PN **8688** Belmont X-Calibur Bulb (Belmont #8000 1006)..... **\$12.50**

- H-3 Bulb Type
- 12 Volt AC / 55 watt



PN **8890** Belmont Clesta Light Bulb w/Black Tip, (Belmont #501074)..... **\$28.00**

- 24 Volt / 60 Watt Black Tip
- Fits all Belmont Clesta Lights (Belmont# 501074)



PN **9377** Belmont ECO Light Bulb w/Black Tip..... **\$48.00**

- 12 Volt / 55 Watt Black Tip
- Fits all Belmont ECO Lights (Belmont# GO4CADN29AO)

### TECH TIP



## TRYING TO SOLVE A TOUGH TECHNICAL PROBLEM?

Visit the DCI Service Forum at [www.dcionline.com](http://www.dcionline.com) or the DCI Video Library where you can collaborate with fellow technicians and find the answers to the most challenging dental repairs!

*These parts are manufactured by DCI to fit Belmont® equipment. DCI has no affiliation with Belmont. DCI replacement parts are not manufactured under license or supervision of Belmont®.*

NEW & IMPROVED



## Marus & Ritter® Lens Shield

PN **8602** Marus & Ritter® Lens Shield, (Ritter #122845)..... **\$14.00**

- Redesigned to include notches for the bulb housing



## Marus & Ritter® Bulb

PN **8687** Marus & Ritter® Bulb, (Ritter #121720, Marus #014R207)..... **\$20.00**

- 24 Volt AC / 150 watt



## Marus & Ritter® Light Socket

PN **2965** Marus & Ritter® Light Socket..... **\$40.00**

- Fits all Marus & Ritter lights
- 17.5" factory installed wires



## Marus & Ritter® Power Switch

PN **8699** Toggle Switch, (Ritter #WO-34566)..... **\$12.00**

- SPST Switch
- 125 Volt AC / 10 amp



## MDT Aseptic 2000 Series Lamp Socket

PN **2731** MDT Aseptic 2000 Series Lamp Socket..... **\$99.00**

*These parts are manufactured by DCI to fit Marus & Ritter® and MDT equipment. DCI has no affiliation with Marus & Ritter or MDT. DCI replacement parts are not manufactured under license or supervision of Marus & Ritter® or MDT.*







## Pelton & Crane® LF I & LF + Reflector

PN **8610** LF I & LF + Reflector, (P&C #0022438).....**\$514.00**

- Original high quality part! Purchased directly from the same manufacturer as Pelton & Crane®
- Reflector is NEW, not re-coated
- 4 year warranty on "optic" coating

FEATURED



## Pelton & Crane® LF I Lens Shield

PN **8600** LF I Shield, (P&C #006777).....**\$7.50**



## Pelton & Crane® LF I & LF + Bulb

PN **8683** LF I & LF + Bulb, (P&C #3321879).....**\$23.70**

- 25 Volt AC / 150 watt



## Pelton & Crane® LF I Switch

PN **8114** Pelton & Crane® LF I Switch, (P&C #007096 & 3321853).....**\$22.00**

- SPST switch
- 125 Volt AC / 15 amp

FEATURED



## Pelton & Crane® LF I, LF II & LF III Light Socket

PN **8636** Pelton & Crane® Light Socket (P&C #3336992).....**\$22.70**

- Replacement lamp socket
- Improved contactor
- Stronger spring
- Improved wire connection

IMPROVED DESIGN

*These parts are manufactured by DCI to fit Pelton & Crane® equipment. DCI has no affiliation with Pelton & Crane. DCI replacement parts are not manufactured under license or supervision of Pelton & Crane®.*

FEATURED



### Pelton & Crane® LF II Reflector

PN **8932** Pelton & Crane® LF II Reflector, (P&C #3321887)..... **\$412.00**

- Fits Pelton & Crane® LFII
- Reflectors are new, not re-coated
- 4 year warranty on optics (coating)



### Pelton & Crane® LF II Lens Shield

PN **8601** LF II Shield, (P&C #3321598)..... **\$12.70**



### Pelton & Crane® LF II Bulb

PN **8683** Pelton & Crane® LF II Bulb, (P&C #3321879)..... **\$23.70**

- 25 Volt AC / 150 watt

IMPROVED DESIGN



### Pelton & Crane® LF I, LF II & LF III Light Socket

PN **8636** Pelton & Crane® Light Socket (P&C #3336992)..... **\$22.70**

- Replacement lamp socket
- Improved contactor
- Stronger spring
- Improved wire connection

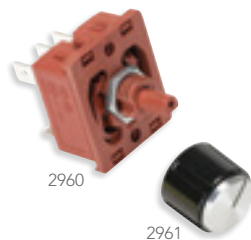


### Pelton & Crane® LF II Switch

PN **8114** Pelton & Crane® LF II Switch, (P&C #007096 & 3321853)..... **\$22.00**

- SPST Switch
- 125 Volt AC / 15 amp

NEW ITEMS



### Pelton & Crane® LFII Dimmer Switch

PN **2966** Pelton & Crane® LFII Dimmer Switch w/ Knob..... **\$34.00**

PN **2960** Pelton & Crane® LFII Dimmer Switch (P&C ##3321820 & 013553)..... **\$25.00**

PN **2961** Pelton & Crane® LFII Dimmer Switch Knob (P&C #3322646/844845/015408)..... **\$12.00**

- 125 Volt AC / 15 amp

*These parts are manufactured by DCI to fit Pelton & Crane® equipment. DCI has no affiliation with Pelton & Crane. DCI replacement parts are not manufactured under license or supervision of Pelton & Crane®.*





## Pelton & Crane® LF II Reflector Bushing

PN **8700** Pivot Bushing (pkg of 2), (P&C #023940)..... **\$15.00**

- For use on LF II Yoke & Frame Assembly
- Replaces existing worn bushings
- Slot for 5/8" wrench
- New high temperature material



## Pelton & Crane® LF II Knuckle Washer

PN **8698** Knuckle Washer (pkg of 12), (P&C #006702)..... **\$16.90**

- Made from Teflon
- Replaces worn washers for smooth movement



## Pelton & Crane® LF II Light Post Bushing

PN **8470** Pelton & Crane® Light Post Bushing..... **\$24.00**

- Light Post Bushing
- 1 7/8" O.D. x 1 11/16" I.D. x 3" Long



## Pelton & Crane® Gas Spring Adjusting Tool

PN **8697** Gas Spring Adjusting Tool, (P&C #016749)..... **\$22.00**

- For adjusting LF II light arm cylinder
- 5/16" Hex



## Pelton & Crane® Socket Retractor

PN **9289** Pelton & Crane® Socket Retractor..... **\$3.00**



Check out the DCI Video Library for how to use the P&C socket retractor!

*These parts are manufactured by DCI to fit Pelton & Crane® equipment. DCI has no affiliation with Pelton & Crane. DCI replacement parts are not manufactured under license or supervision of Pelton & Crane®.*



## New Robust Brake Block Design

**Machined Delrin** improves glide force & maintains tension

**NEW steel pins** hold brake block in place

**Heavy Duty Steel Stops**

NEW ITEM



2733  
Detail

### LF II Light Spring Assembly

PN **2733** Unit Mount (P&C #9439738)..... **\$184.00**

PN **2734** Track/Ceiling Mount (P&C #1532907)..... **\$184.00**



2733  
Top View

- Replaces all unit, track or ceiling mount light arm springs
- Innovative durable brake block design
- Hardware & instructions included

NEW ITEMS



9584

### Pelton & Crane® LF II Knuckle Supports

PN **9584** Pelton & Crane® Rear Knuckle Support (P&C #015806)..... **\$104.00**

PN **9572** Pelton & Crane® Front Knuckle (P&C #4191222)..... **\$65.00**



9572

- Machined Aluminum
- Includes: front knuckle support, 2 screws, pivot pin and installed bushing

NEW ITEM



### Pelton & Crane® LF II Pivot Pin

PN **9570** Pelton & Crane® Pivot Pin (P&C #3322604) (pkg of 2)..... **\$13.00**

NEW ITEM



### Pelton & Crane® Drift Screw Kit

PN **9571** Pelton & Crane® Drift Screw Kit (P&C #006804)..... **\$30.00**

*These parts are manufactured by DCI to fit Pelton & Crane® equipment. DCI has no affiliation with Pelton & Crane. DCI replacement parts are not manufactured under license or supervision of Pelton & Crane®.*



## Replacement LED Handpiece Bulbs



PN **9372** Kavo LED Handpiece Bulb..... **\$68.20**

- Requires 3.5 Volt DC
- Fits Kavo Turbines & Micro Motors



PN **9374** Bien-Air LED Handpiece Bulb..... **\$68.20**

- Requires 3.5 Volt DC
- Fits Bien-Air Micro Motors



PN **9373** Sirona LED Handpiece Bulb..... **\$68.20**

- Requires 3.5 Volt DC
- Fits Sirona Turbines & Micro Motors

## Replacement Handpiece Bulbs



PN **9360** Midwest Handpiece Bulb..... **\$36.00**

- 3.5 Volt / 750 MA
- Fits Midwest XGT, Stylus & Stylus ATC handpieces (Dentsply #790257)



PN **9361** A-dec® / W&H Handpiece Bulb..... **\$36.00**

- 3.5 Volt / 750 MA
- Fits A-dec® / W&H handpieces 896, 898 & 898-LE
- (A-dec® #0.02207610)



PN **9362** Kavo Handpiece Bulb..... **\$28.00**

- 3.3 Volt / 4 watt
- Kavo Lux coupler previous PN 553-3881
- Current Kavo #1002.2928
- Dabi Atlante



PN **9363** A-dec® Handpiece Bulb (A-dec® #041.317.00)..... **\$70.00**

- 3.5v, 750 ma
- Fits A-dec® 5-hole handpiece tubing

## Replacement Bulbs



9364

PN **9364** Cascade Bulb, (A-dec® #041.709.00)..... **\$24.00**

- 17 Volt / 95 watt
- Fits Cascade "6300" lights
- Fits Midmark dental light # 002-1154-00
- Fits Forest 9000 series
- Replaces A-dec® previously used bulb PN 041.179.01, 24 Volt AC / 150 watt



8890

PN **8890** 24 Volt / 60 Watt Black Tip, (Belmont# 501074)..... **\$28.00**

- Fits all Belmont Clesta Lights



9377

PN **9377** 12 Volt / 55 Watt Black Tip, (Belmont# GO4CADN29AO)..... **\$48.00**

- Fits all Belmont ECO Lights



8688

PN **8688** H-3 Bulb..... **\$12.50**

- 12 Volt AC / 55 watt
- Fits A-dec® Performer / Ampco Contender, Fiad / Healthco / SDS Fantastic Belmont / Celux / Chayes Virginia, DCI Equipment Pro 70 / Marus® Pro 72



8687

PN **8687** 24 Volt AC / 150 Watt Bulb..... **\$20.00**

- Fits DentaleZ Distinction / Forest, Faro Cool Beam / Henry Schein Knight / Marus® / Old Forest / Porter Daystar, Ritter K / Vacudent



## Replacement Bulbs



8696

PN **8696** 24 Volt AC / 150 Watt Bulb.....**\$11.50**

- Fits Dentech® / Eurodent, Faro Sunlight 70 / J. Morita / Knight L LSM / Planmeca Delight / SDS 1350, Siemens A1/E1 Sirona



8683

PN **8683** 25 Volt AC / 150 Watt Bulb, (P&C #3321879).....**\$23.70**

- Fits Pelton & Crane® LF+ / LF I / LF II / LF III



8689

PN **8689** 28 Volt AC / 75 Watt Bulb.....**\$32.00**

- Fits Ritter J Starlite



2404

PN **2404** 24 Volt AC / 75 Watt Bulb, (MDT #516983).....**\$51.50**

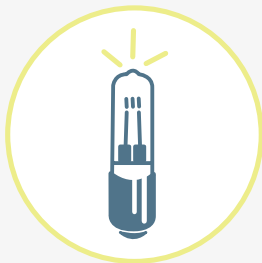
- Fits MDT Aseptic 2000 Series



8684

PN **8684** 24 Volt AC / 100 Watt Bulb.....**\$23.70**

- Fits DCI Equipment light



## Replacement Bulb Warranty

Bulbs are warranted to be free from manufacturing defect in material and workmanship at the time of installation in an electrical circuit having the correct characteristics. Bubbles in the quartz products are not defects and are not subject to warranty. Useful life of bulbs is not covered under warranty.

## Fiber Optic & Curing Light Replacement Bulbs



8692  
120 Volt AC /  
250 watt

PN **8692** ..... **\$33.50**

- Chapman Huffman
- 60-575-00, 60-580-00,  
60-585-00, 60-590-00
- Dentsply Triad 2000
- Kavo Vicon DLS, LS Illuminator,  
Polar II
- Lares Quartz Fire SX
- Midwest Insight I and II, Tradition I
- Sci Can Dual Lux 2 Curing



8693  
12 Volt AC /  
75 watt

PN **8693** ..... **\$43.30**

- 3M Visilux I, Visilux II, XL3000
- Almore OP II
- Coltene Coltolux Curing Units II,  
III and IV
- Darby Dental Superdent  
2001, 2005
- Degussa Degulux
- Demetron Optilux 101, 400, 403
- Demetron VCL-100, VCL-200,  
VCL-300
- First Medica Hilux 200
- Lares Apollo CP
- Lasac Tech LTI-5000
- Megadental Megalux
- Motloid Compolite 660
- Penn Med 300L and  
310 Curing Guns
- Phasealloy Witelite Gun
- Unitek Ortholux, Ortholux XT
- Viva Dent Heliolux GT
- COE Lunar TA



8694  
12 Volt AC /  
100 watt

PN **8694** ..... **\$43.30**

- EFOS Lite
- Proden Executor
- Henry Schein
- Kinetic Instrument Sunspot
- S.S. White Profile Curing Lite
- Teledyne Getz Focus
- L.D. Caulk Prismetics Lite



8695  
14 Volt AC /  
35 watt

PN **8695** ..... **\$38.10**

- Healthco Aristocrat II
- L.D. Caulk Maxlight
- Demetron Optilux 150



9365  
15 Volt AC /  
150 watt

PN **9365** ..... **\$22.00**

- Air Tech VistaCam &  
VistaCam Elite
- Bosworth Superlight, Fuji  
DentaCam 2 & 50
- Healthco VLC Illumination Wand
- Deller Fiberlight Deadlight



9368  
12 Volt AC /  
75 watt

PN **9368** ..... **\$41.20**

- Dentsply/Heathco Celebrity Perspective 1 & 2
- Integra ViperCam, Medtronics Dent03
- QuickCam DDS, Welsh Allyn Perspective 2



9370  
12 Volt AC /  
100 watt

PN **9370** ..... **\$19.00**

- Acu-Cam Polo, Dentech Ultima II
- Kavo Vicon LS & LSII
- Micro Motors LHS 710 Fiberoptic



# Chair & Stool Parts



224

Stool Parts



225 – 226

Chair Accessories



227 – 228

A-dec®



229

DentalEZ



230

Pelton & Crane®



## TECH TIP

### Potentiometer Continuity Test Procedure

- 1 Touch a multimeter probe to both outside pins. The total resistance should be approximately 4-6K  $\Omega$  (5K  $\Omega$   $\pm$ 20%). If the resistance is outside the limits, the potentiometer is defective.
- 2 Move one multimeter probe to the center pin. Slow turn the potentiometer shaft fully in one direction, then the other. The multimeter should show a smooth increase or decrease in resistance. If the resistance fluctuates in a erratic manner, it is defective.



NEW ITEMS



## Cart & Stool Casters

PN <b>2946</b>	Soft wheel for hard floor caster, Gray.....	<b>\$8.00</b>
PN <b>2972</b>	Soft wheel for hard floor caster, Gray, (pkg of 5).....	<b>\$40.00</b>
PN <b>2948</b>	Soft wheel for hard floor caster, Surf.....	<b>\$8.00</b>
PN <b>2973</b>	Soft wheel for hard floor caster, Surf (pkg of 5).....	<b>\$40.00</b>
PN <b>8010</b>	Hard wheel for carpet, Gray.....	<b>\$12.40</b>
PN <b>8002</b>	Cart Caster Insert.....	<b>\$8.00</b>

NEW ITEMS



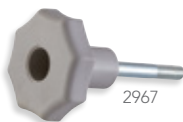
## Stool Cylinders

PN <b>2952</b>	Assistant Stool Cylinder, 50mm Dia. (P&C #047039, Marus #30509).....	<b>\$95.00</b>
	<ul style="list-style-type: none"> <li>• 22.5" Fully Extended, 7.5" Travel</li> <li>• For use on Pelton &amp; Crane® Model 2004 &amp; Marus Models DC5130 &amp; DC5030</li> </ul>	
PN <b>2953</b>	Doctor Stool Cylinder, 50mm Dia. (P&C #047038, Marus #30510).....	<b>\$95.00</b>
	<ul style="list-style-type: none"> <li>• 17" Fully Extended, 5.5" Travel</li> <li>• For use on Pelton &amp; Crane Model 2003 &amp; Marus Models DC5140 &amp; DC5040</li> </ul>	
PN <b>2962</b>	Assistant Stool Cylinder, 45mm Dia. (P&C #041772, Marus #75R089, A-dec® #65.0208.00).....	<b>\$95.00</b>
	<ul style="list-style-type: none"> <li>• 22.5" Fully Extended, 7.5" Travel</li> </ul>	
PN <b>2963</b>	A-dec® Assistant Stool Cylinder, 45mm Dia. (A-dec #65.0209.00).....	<b>\$95.00</b>
	<ul style="list-style-type: none"> <li>• 22.5" Fully Extended, 7.5" Travel</li> </ul>	
PN <b>2964</b>	Doctor Stool Cylinder, 45mm Dia. (A-dec® #65.0227.00, P&C # 041789, Marus 75R088).....	<b>\$95.00</b>
	<ul style="list-style-type: none"> <li>• 17" Fully Extended, 5.5" Travel</li> </ul>	



See our **Stool Cylinder Guide** at [www.dcionline.com](http://www.dcionline.com)

NEW ITEMS



## Backrest Knobs

PN <b>2967</b>	Backrest Knob, Surf (A-dec® #027.074.00).....	<b>\$6.50</b>
PN <b>2968</b>	Backrest Knob, Gray.....	<b>\$6.50</b>
	<ul style="list-style-type: none"> <li>• For use on Newer Pelton &amp; Crane®, Marus, &amp; A-dec® Stools</li> </ul>	

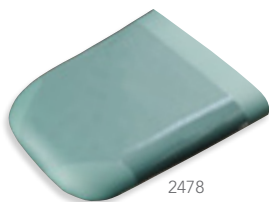


### TECH TIP

Measure the largest diameter of the Stool Cylinder to confirm if it's 45 or 50mm before ordering!



Download DCI's App



## Toeboard Covers

PN <b>2478</b>	MDT Champagne 1000.....	<b>\$48.00</b>
PN <b>2801</b>	Healthco Celebrity.....	<b>\$48.00</b>
PN <b>2802</b>	Belmont Bel 10.....	<b>\$48.00</b>
PN <b>2803</b>	Marus® DC1690 & DC1535.....	<b>\$48.00</b>
PN <b>2804</b>	Royal Model 16.....	<b>\$48.00</b>
PN <b>2805</b>	A-dec® Model 1021.....	<b>\$48.00</b>
PN <b>2806</b>	A-dec® Seamless Model 1040.....	<b>\$48.00</b>
PN <b>2807</b>	Pelton & Crane® Coachman I & II.....	<b>\$48.00</b>
PN <b>2808</b>	Pelton & Crane® Chairman.....	<b>\$48.00</b>
PN <b>2809</b>	Pelton & Crane® Chairman 5000.....	<b>\$48.00</b>



2954



2955



2956



2957



2958

## Toeboard Covers to fit A-dec® Chairs

PN <b>2954</b>	Cover to fit A-dec® 511 Seamless, (A-dec® #62.0156.00).....	<b>\$48.00</b>
PN <b>2955</b>	Cover to fit A-dec® 311 Seamless, (A-dec® #62.0676.00).....	<b>\$48.00</b>
PN <b>2956</b>	Cover to fit A-dec® 511 Sewn, (A-dec® #62.0184.00).....	<b>\$48.00</b>
PN <b>2957</b>	Cover to fit A-dec® 311 Sewn, (A-dec® #62.0685.00).....	<b>\$48.00</b>
PN <b>2958</b>	Cover to fit A-dec® 1040 Sewn & Performer III, (A-dec® #61.2619.00).....	<b>\$48.00</b>



NEW ITEMS

*These parts are manufactured by DCI to fit A-dec® equipment. DCI has no affiliation with A-dec Inc. DCI replacement parts are not manufactured under license or supervision of A-dec®.*

NEW ITEM

## Marus Foot Switch Rebuild Kit

PN **2761** Marus Foot Switch Rebuild Kit (Marus #85R233).....**\$260.00**



**Kit includes:**

- 3/8" Nylon Balls, 2 ea.
- 1/4" Nylon Balls, 4 ea.
- Micro Switches, 6 ea.
- 1/8" x 1/2" Stainless Pins, 4 ea.
- Cover Plate Assy, 1 ea.
- Switch with Pin Assy, 2 ea.
- Activator Springs, 2 ea.
- Activator Pin Bushings, 4 ea.
- Foot Switch Insulator, 1 ea.

NEW ITEM

## Hydraulic Oil

PN **2691** Hydraulic Oil.....**\$17.30**



- 10 wt Hydraulic Oil
- For use on all Hydraulic Chairs
- 1 Pint
- Non-Foaming

## Potentiometer to fit A-dec® Chairs

PN **9258** Potentiometer (A-dec® #041.372.00, P&C & Marus # 015R017).....**\$17.50**



- Fits Cascade, Decade, Positioner, Priority & Performer III chairs manufactured before 2/2001





### Rocker Switch to fit A-dec® Multi-Function Foot Switch

PN 2810 Rocker Switch (A-dec® #041.119.00).....\$13.30

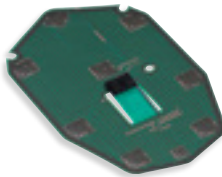
- For Multi-Function Switch 10A, 125/250 VAC



### Push-Button Switch to fit A-dec® Multi-Function Foot Switch

PN 9260 Push-Button Switch (A-dec® #041.059.00).....\$12.40

- For Auto Return & Pre-Positioning Functions: SPST 5A, 24 VAC



### Membrane to fit A-dec® Foot Switch

PN 2943 Membrane (A-dec® #61.3048.00).....\$78.00

- Fits on A-dec® Performer, 1021, 1040, 311 & 511 Series Chairs



### Cable Assembly to fit A-dec® Foot Switch

PN 9587 Cable Assembly (A-dec® #62.0186.00).....\$50.00

- Fits on A-dec® Performer, 1021, 1040, 311 & 511 Series Chairs

*These parts are manufactured by DCI to fit A-dec® equipment. DCI has no affiliation with A-dec Inc.  
DCI replacement parts are not manufactured under license or supervision of A-dec®.*



## Capacitor to fit A-dec® Chairs

PN **9245** Capacitor w/ Boot for 100 Volt, 115 Volt or 240 Volt (A-dec® #90.1031.00)..... **\$70.00**

- Fits Cascade, Decade, Positioner, Priority & Performer III chairs manufactured before 2/2001

## Limit Switches to fit A-dec® Chairs



PN **9240** Chair Limit Switch (A-dec® #044.184.01)..... **\$13.80**

- Base function: Cascade 1040, Decade 1021/1020, 1010/1011, Priority 1005, Performer III
- Back function: Priority 1005
- Stop function: Decade 1020/1021, Priority 1005



PN **9242** Chair Limit Switch (A-dec® #61.2065.00)..... **\$13.80**

- Back function: Cascade 1040



PN **9244** Chair Limit Switch (A-dec® #044.183.00)..... **\$10.80**

- Chair stop function: Cascade 1040, Decade 1021 "after 6-1998", Performer I & II

## Limit Switch

PN **2794** Limit Switch..... **\$24.00**



- "Cherry" Limit Switch
- 125/250 volt AC 6/3 amp
- Used on P&C Chairman, P&C Coachman, DentalEZ, Chayes Virginia and A-dec® chairs
- Spade Terminal Connections
- Base up/down Performer 1 & 2
- Back up function Decade 1020/1021, 1010/1011, Performer 3

FEATURED

*These parts are manufactured by DCI to fit A-dec® equipment. DCI has no affiliation with A-dec Inc. DCI replacement parts are not manufactured under license or supervision of A-dec®.*





### DentalEZ Chair Momentary Switch Kit

PN **2928** On-Off-On Three Position Switch (DentalEZ #3800-100)..... **\$23.00**

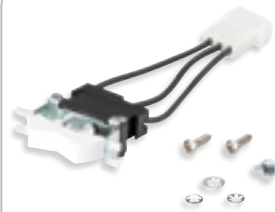
- On/off/on momentary
- Kit includes Switch, Push Nuts (Qty 10), #6 x 5/8" Screws (Qty 2)
- PL200, J & V Series



### DentalEZ Chair Maintained Switch Kit

PN **2930** Switch Replacement Kit (DentalEZ #3800-148)..... **\$23.00**

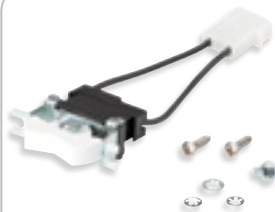
- On/off/on maintained
- Kit includes Auto Position Switch, Tinnerman Nuts (Qty 4), #8 Lock Washer, 8-32 x 1/4" Cut Screw, #6 x 5/8" Sheet Metal Screws (Qty 2)
- PL200, J & V Series



### DentalEZ Chair Momentary Switch Kit

PN **2929** Momentary Switch Replacement Kit (DentalEZ #3800-101)..... **\$37.00**

- On/off/on momentary **RIBBED**
- Kit includes Momentary Switch, Qty 4 Tinnerman Nuts, #8 Lock Washer, 8-32 x 1/4" Cut Screw, #6 x 5/8" Sheet Metal Screws (Qty 2)
- PL200, J & V Series



### DentalEZ Chair Switch Kit

PN **2931** Chair Switch Kit (DentalEZ #3800-579)..... **\$50.00**

- On/off maintained
- Kit includes on/off switch, Qty 4 Tinnerman Nuts, #8 Lock Washer, 8-32 x 1/4" Cut Screw, #6 x 5/8" Sheet Metal Screws (Qty 2)
- JSR / VSR chair top



### DentalEZ J Chair Arm Pivot Stop

PN **2799** Arm Pivot Stop (pkg of 2) (DentalEZ #3800-112)..... **\$8.00**

- Slotted on both ends for easy removal
- 5/16" - 24

FEATURED

*These parts are manufactured by DCI to fit DentalEZ equipment. DCI has no affiliation with DentalEZ. DCI replacement parts are not manufactured under license or supervision of DentalEZ.*

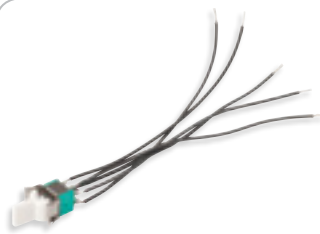
NEW ITEM



### Pelton & Crane® Potentiometer

PN **9258** Potentiometer (P&C & Marus # 015R017)..... **\$17.50**

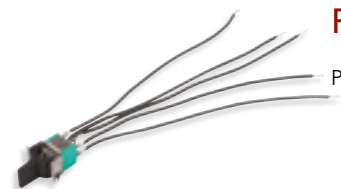
- Fits all Pelton & Crane Spirit chairs & Marus hydraulic chairs



### Pelton & Crane® Chairman Chair Switch

PN **9247** Back Recline Switch (P&C #007428)..... **\$48.00**

- White toggle



### Pelton & Crane® Chairman Chair Switch

PN **9248** Base Lift Switch (P&C #007427)..... **\$48.00**

- Black toggle
- Can also be used for Traverse Switch



### Pelton & Crane® Chairman Chair Auto Position Switch

PN **9249** Pre Position Switch (P&C #007898)..... **\$36.00**

- Red push button
- Wires already attached



### Pelton & Crane® Chairman Chair Auto Return Switch

PN **9254** Auto Return Switch (P&C #007899)..... **\$36.00**

- Black push button
- Wires already attached

*These parts are manufactured by DCI to fit Pelton & Crane® equipment. DCI has no affiliation with Pelton & Crane. DCI replacement parts are not manufactured under license or supervision of Pelton & Crane®.*

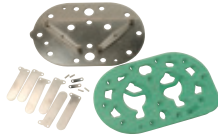


# Compressor & Vacuum Parts



232 – 233

Mechanical Room  
Accessories



234 – 236

Lubricated  
Compressor Parts



237

Oil-Less  
Compressor Parts



238 – 241

Compressor  
Filtration / Drying



242 – 244

Compressor Valves  
& Controls



245 – 246

Liquid Ring  
Pump Parts



247 – 249

Vacuum System Parts



250

Surgical Vacuum Parts



251

Specialty Vacuum  
Systems



252

Illustrated Parts  
Breakdown



## TECH TIP

How often should the timed purge on the DCI compressor exhaust? How much should it purge?

7 min. + 7 PSI

It should purge every seven minutes and each time, it should drop the tank pressure seven PSI.



NEW ITEMS



2970

## Buck & Boost Transformers

PN <b>2969</b>	Single Phase 3500 VA Buck & Boost Transformer.....	<b>\$390.00</b>
PN <b>2970</b>	Single Phase 5000 VA Buck & Boost Transformer.....	<b>\$450.00</b>
PN <b>2971</b>	Single Phase 7500 VA Buck & Boost Transformer.....	<b>\$590.00</b>

- UL & CSA Approved
- Front accessible separate High and Low voltage leads



See [www.dcionline.com](http://www.dcionline.com)  
for Buck & Boost ordering guide.

FEATURED



2030



2862

## Low Voltage Control Box

PN <b>2030</b>	Low Voltage Control Box, 115/230 Input.....	<b>\$432.60</b>
PN <b>2922</b>	Hour Meter.....	<b>\$116.00</b>
PN <b>2862</b>	Fuse Holder.....	<b>\$25.50</b>



Contact Customer Service  
for replacement parts.

NEW & IMPROVED LED BULBS  
NOW COME STANDARD

## Control Panels



PN <b>2900</b>	Single Switch Panel / Expandable to 4.....	<b>\$309.00</b>
PN <b>2901</b>	Dual Switch Panel / Expandable to 4.....	<b>\$350.20</b>
PN <b>2902</b>	Triple Switch Panel / Expandable to 4.....	<b>\$391.40</b>
PN <b>2904</b>	Quad Switch Panel.....	<b>\$432.60</b>
PN <b>2723</b>	Remote 24 Volt Red LED Light Switch.....	<b>\$41.20</b>

- Fits standard 2 gang electrical box
- Includes custom labeling kit
- 24 Volt lighted LED rocker switches



Download DCI's App



## Water Security Systems

PN **W1100** 3/4" System w/ Filter & 24 Volt Relay..... **\$980.00**

PN **W2100** 1" System w/ Filter & 24 Volt Relay..... **\$1,300.00**

- Filters incoming water supply & shuts off water from control panel



## Water Security Replacement Parts

PN **2051** Water Filter 2 1/2" x 10" (pkg of 2)..... **\$41.20**

PN **2076** Water Filter 4 1/2" x 10" (pkg of 2)..... **\$82.40**

PN **2302** Gasket For Filter Housing 3/4"..... **\$4.50**

PN **2303** Gasket For Filter Housing 1", 1 1/4", 1 1/2"..... **\$11.50**

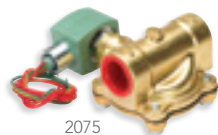
PN **2050** Black Filter Housing 3/4"..... **\$70.00**

PN **2073** Black Filter Housing 1"..... **\$136.00**

PN **2052** 115V Solenoid..... **\$376.00**

PN **2030** Low Voltage Control Box, 115/230 Input 24 VAC..... **\$432.60**

PN **2075** 1" Pipe 115v Solenoid..... **\$433.00**





2487

## Copeland Capacitor / Relay Controls

PN <b>2509</b>	1 HP 115 Volt (MDT # 3-08-0233-07)	<b>\$200.00</b>
PN <b>2487</b>	1 HP 230 Volt (MDT #3-08-0234-07)	<b>\$220.00</b>

- Original Copeland component
- Prewired & tested
- 115 or 230 Volt AC



2606

## Copeland Start / Run Capacitors

PN <b>2420</b>	Start Capacitor 3/4 & 1 HP 230 Volt (MDT #3-08-0219-10)	<b>\$38.00</b>
PN <b>2606</b>	Start Capacitor 1 HP 115 Volt (MDT #3-08-0218-10)	<b>\$38.00</b>
PN <b>2702</b>	Run Capacitor 1 HP 115 Volt (MDT #3-08-0223-10)	<b>\$41.00</b>
PN <b>2703</b>	Run Capacitor 1 HP 230 Volt (MDT #3-08-0224-10)	<b>\$41.00</b>

- Original Copeland component
- 115 or 230 Volt AC
- 3/4 or 1 HP



## Copeland Thermal Protector

PN <b>2694</b>	3/4 HP 230 Volt (MDT #3-08-0231-10)	<b>\$36.00</b>
PN <b>2566</b>	1 HP 230 Volt (MDT #3-08-0229-10)	<b>\$58.00</b>

- Original Copeland component
- 3/4 or 1 HP

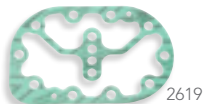


2698

## Compressor Relay Assembly

PN <b>2699</b>	1 HP Relay Assembly, 115 VAC (MDT #3-08-0213-00)	<b>\$54.00</b>
PN <b>2419</b>	1 HP Relay Assembly, 208-230 VAC (MDT #3-08-0214-10)	<b>\$54.00</b>

- Original Copeland components
- Available in 115 or 208-230 VAC



2619



2711

## Lubricated Compressor Head Repair Kits

PN <b>2619</b>	Head Gasket (MDT #3-08-0243-10)	\$15.00
PN <b>2711</b>	Valve Plate Kit (MDT #3-08-0278-10)	\$197.00

- Original Copeland components
- 3/4 or 1 HP



2649

## Copeland Sight Glass Kit

PN <b>2649</b>	Sight Glass Kit	\$36.00
PN <b>2414</b>	Sight Glass Only (MDT #3-08-0092-10)	\$23.50
PN <b>2633</b>	Sight Glass Tool (MDT #301789)	\$25.00

- Original Copeland component
- Requires DCI tool 2633
- Replaces damaged sight glass



2545

## Copeland Intake Filter

PN <b>2545</b>	Filter Assembly	\$64.00
PN <b>2423</b>	Element Only	\$23.50

- Filters intake air to 40 microns
- Extends service life of compressor
- Reduces noise



## Copeland Oil Filler / Breather

PN <b>2540</b>	Breather Filter (MDT #301876)	\$15.80
----------------	-------------------------------	---------

- Vents crankcase
- Reduces crankcase oil foaming



2422

## Cooling Fan Assembly

PN <b>2696</b>	115 Volt Fan (MDT #3-08-0578-10)	\$52.00
PN <b>2422</b>	230 Volt Fan (MDT #3-08-0563-10)	\$52.00
PN <b>2697</b>	Finger Guard (MDT #3-08-0399-10)	\$10.30

- Cools compressor heads
- 105 cfm
- Cools sound covers



## P Series Portable Lubricated Air Compressor

PN **P050** 1 User / 1/2 HP / Single Head / .93 Gal Tank / 115 Vac.....**\$2,931.40**

- 115 Volt - 50-60 Hertz
- Quiet operation
- 2.1 CFM
- Only 44 lbs
- Compact size 11" x 11" x 11 7/8"
- 6 month warranty



## Jun-Air & Panther Compressor Parts

PN **2920** Valve Plate.....**\$360.00**

PN **2921** Case Cover O-Ring Seal.....**\$52.50**



PN **2813** Intake Filter.....**\$80.00**

PN **7242** Coalescing Filter 40 Micron.....**\$20.00**

- For repairing Jun-Air & Werther compressors

FEATURED



## Jun-Air Synthetic Lubricated Compressor Oil

PN **2945** Synthetic Lubricated Compressor Oil,  
24 oz (Jun-Air # SJ-27).....**\$60.00**



## Non-Synthetic Lubricated Compressor Oil

PN **2485** 16 oz. Bottle.....**\$10.50**

PN **2647** Case of 6.....**\$62.00**

- 20w non-detergent (non-synthetic)
- High grade lubricating oil
- High dielectric properties



## Oil-less Compressor Heads



PN **2002** Oil-less Compressor Heads.....**\$2,642.50**

- 1 HP oil-less head
- Dual voltage motors 115/230
- 13/46/7 Amp
- 3.95 cfm @ 80 PSI
- Fits DCI & Tech West compressors

SHIPS VIA **UPS GROUND**

## Oil-less Head Intake Filter Element



2012



2170

PN **2170** Filter Intake Compressor.....**\$37.10**

PN **2012** Oil-less Head Intake Filter Element, 2".....**\$16.00**

- 5 Micron element
- Fits DCI & Tech West compressors
- Extends coalescing filter life

## Oil-less Head Intake Filter Element



PN **2947** Oil-less Head Intake Filter Element, 3".....**\$16.50**

- 2 Micron Paper Filter
- 3" OD x 1.38" tall
- Fits Tech West Oil-less Compressor models ACO4S2, ACO4S2ND, ACO8D2, ACO8D2ND

NEW ITEM

## Discharge Hoses



2867

PN **2868** 13" Hose.....**\$57.00**

PN **2869** 16" Hose.....**\$66.00**

PN **2870** 20" Hose.....**\$68.50**

- Braided stainless steel construction
- 200 PSI rating
- 1/4" MPT x #6 SAE Female swivel (3/8-18 threads)
- Fits DCI / Air Tech / others



2714

## Wilkerson Coalescing Filters

PN <b>2825</b>	5 oz. Filter (M16-03-FMO).....	<b>\$302.80</b>
PN <b>2714</b>	10 oz. Filter (M26-03-FMO).....	<b>\$366.70</b>

- Fits: Apollo, Matrix, Midmark®, Tech West, others
- Complete assembly w/ indicator
- Includes auto drain
- Rated to 0.01 microns
- 3/8" NPT



2822

## Wilkerson Coalescing Filter Elements

PN <b>2822</b>	5 oz. Element (MTP-95-548).....	<b>\$84.00</b>
PN <b>2713</b>	10 oz. Element (MTP-95-549).....	<b>\$90.00</b>

- Rated to 0.01 microns
- 5 oz. & 10 oz. sizes
- Includes O-Rings



## Wilkerson Indicator

PN <b>2824</b>	Filter Indicator (DP2-01-000).....	<b>\$40.00</b>
----------------	------------------------------------	----------------

- Informs user of clogged element
- Changes from green to red
- Includes O-Rings



## Wilkerson Indicator Blanking Plate Kit

PN <b>2871</b>	Blanking Kit (GRP-95-020).....	<b>\$16.00</b>
----------------	--------------------------------	----------------

- Replaces existing indicator
- Rated to 175 PSI
- Includes O-Ring



## Wilkerson Auto Drain

PN <b>2007</b>	Auto Drain.....	<b>\$96.00</b>
----------------	-----------------	----------------

- Automatically expels condensation
- Includes O-Ring





2003



2925

## DCI Coalescing Filter

PN <b>2003</b>	Coalescing Filter (includes Auto Drain PN 2007).....	<b>\$400.00</b>
PN <b>2925</b>	Check Valve.....	<b>\$18.00</b>

- Teflon coated interior
- FDA approved high efficiency
- 0.01 micron rating
- 1/4" NPT
- Fits DCI compressors



## DCI Coalescing Filter Indicator

PN <b>2008</b>	Coalescing Filter Indicator.....	<b>\$98.00</b>
----------------	----------------------------------	----------------

- Informs user of clogged element
- Changes from green to red
- Includes O-Ring



## DCI Coalescing Filter Element

PN <b>2006</b>	Coalescing Filter Element.....	<b>\$195.00</b>
----------------	--------------------------------	-----------------

- High particle holding capacity
- 0.01 micron rating
- FDA approved for high purity applications



## DCI Coalescing Filter Auto Drain

PN <b>2007</b>	Coalescing Filter Auto Drain.....	<b>\$96.00</b>
----------------	-----------------------------------	----------------

- Automatically expels condensation
- Includes O-Rings



## Parker Coalescing Filter Element

PN <b>2692</b>	Replacement Element.....	<b>\$86.30</b>
----------------	--------------------------	----------------

- Fits newer Tech West & older MDT compressors
- 0.01 micron rating
- Fits in older DCI 2401 Coalescing Filter 10oz



## DentalEZ Coalescing Filter

PN **2935** DentalEZ Coalescing Filter (DentalEZ #JA081602)..... **\$250.00**

- For DentalEZ current 10 series compressors



## DentalEZ Intake Filter

PN **2932** DentalEZ Intake Filter (DentalEZ #5412210)..... **\$113.30**

- For DentalEZ 700 & 800 series prior to serial # 440537



## DentalEZ Carbon Filter Element

PN **2821** DentalEZ Carbon Filter (DentalEZ #JA4080500)..... **\$126.00**

- For DentalEZ 700 series lubricated compressors
- For JUN-AIR lubricated compressors
- Combo filter



### TECH TIP

### WANT TO KNOW IF YOUR DRYING SYSTEM IS WORKING?

Open the petcock valve on the bottom of your compressor. If more than a tablespoon of water comes out, it's time to service.

*These parts are manufactured by DCI to fit DentalEZ equipment. DCI has no affiliation with DentalEZ. DCI replacement parts are not manufactured under license or supervision of DentalEZ.*



## Desiccant Chambers



2014



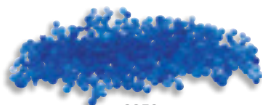
2501



2923

PN <b>2014</b>	DCI Molecular Sieve Drying Chamber.....	<b>\$499.00</b>
PN <b>2501</b>	MDT Chamber w/o Window.....	<b>\$465.00</b>
PN <b>2400</b>	Blue Recharge Kit For 2541, Single Tank.....	<b>\$145.00</b>
PN <b>2481</b>	Brown Recharge Kit For 2501, Single Tank.....	<b>\$185.00</b>
PN <b>2923</b>	Nipple w/ Filter 3/8" x 2" w/ .015 wire mesh (used in 2014 chamber).....	<b>\$30.60</b>

- DCI chamber includes molecular sieve desiccant
- MDT chamber includes silica gel desiccant
- Removes moisture from air



2950



2951

## Desiccant

PN <b>2950</b>	Blue Desiccant.....	<b>\$29.00</b>
PN <b>2951</b>	Brown Desiccant.....	<b>\$25.50</b>
PN <b>2016</b>	White Desiccant.....	<b>\$21.00</b>

- Sold in 1 lb bags



2421



2424

## MDT Quick Exhaust Purge Valves

PN <b>2421</b>	Quick Exhaust Valve (MDT #3-08-0308-10).....	<b>\$68.00</b>
PN <b>2424</b>	Exhaust Muffler 1/4" (MDT #3-08-0942-10).....	<b>\$14.40</b>

- Use w/ MDT style drying chambers
- Used to purge drying chamber
- 1/4" NPT



## Air Techniques Drying Chamber Purge Valve

PN **2940** Purge Solenoid Valve, 230 Volt (Air Techniques #85946)..... **\$240.00**

- 1/4" NPT normally open
- Includes conduit



## Desiccant Chamber Purge Solenoid Valves

PN **2023** 115 Volt..... **\$170.00**

PN **2849** 230 Volt..... **\$170.00**

PN **2009** Debris Strainer for Purge Valves..... **\$20.60**

- Electronically purges moisture from tank
- 115 or 230 Volt
- Normally open
- 1/4" FPT
- Used on Midmark® Matrix oil-less & lubricated compressors, Apollo oil-less & lubricated compressors, Air Techniques lubricated compressors

FEATURED



## Time Operated Purge Valve

PN **2848** 115 Volt..... **\$162.00**

PN **2011** 230 Volt..... **\$162.00**

PN **2166** Solenoid Repair Kit..... **\$50.00**

- Normally closed valve
- Adjustable interval & duration
- Replaces DCI C series & DentalEZ
- 6 ft. power cable



## Pressure Switches

PN **2417** Unloading for Single Head Compressors..... **\$102.00**

PN **2489** Unloading for Dual & Triple Head Compressors..... **\$235.00**

PN **2005** Non-unloading for Dual Compressors..... **\$70.00**

- Starts and stops compressor motors





2826



2856

## Pressure Gauges

PN <b>2826</b>	Economy.....	<b>\$19.00</b>
PN <b>2856</b>	Liquid Filled.....	<b>\$48.00</b>

- 2" dial face
- 0-160 PSI
- 1/4" Center back connection



2135



2502

## Check Valves

PN <b>2135</b>	Stainless Check Valve 1/4" Male x Female.....	<b>\$58.10</b>
PN <b>2502</b>	3/8" FPT w/ Internal Bleed, 15 or 30 Gallon Tank.....	<b>\$88.00</b>
PN <b>2572</b>	3/8" FPT w/ Internal Bleed, 5 Gallon Tank.....	<b>\$88.00</b>
PN <b>2550</b>	3/8" FPT w/o Internal Bleed.....	<b>\$111.50</b>

- Allows flow in one direction only



## Relief Valve

PN <b>2513</b>	Relief Valve.....	<b>\$26.00</b>
----------------	-------------------	----------------

- ASME certified
- Relieves pressure at 125 PSI
- 1/4" MPT



## Tank Drain Petcock

PN <b>2859</b>	1/2" Drain Petcock.....	<b>\$18.50</b>
----------------	-------------------------	----------------

- Bleeds moisture from tank
- 1/2" MPT

FEATURED



## Air Regulator

PN **2850** Air Regulator (Wilkerson R28-04-F000).....**\$170.00**

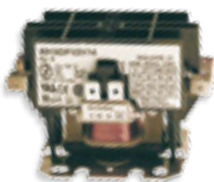
- 1/2" NPT
- Relieving Type
- Regulates air pressure to 125 PSI

## Compressor Hook-up Hose



PN **2857** Hook-up Hose.....**\$65.00**

- 6 ft. flexible hose
- 250 PSI rated
- 3/8" MPT x 1/2" MPT



## 24 Volt Contactor

PN **2858** Contactor.....**\$85.00**

- 24 Volt AC coil
- 30 amp / 1.5 hp rating
- Double pole contacts
- Fits most low voltage controls



## Control Transformer

PN **2846** Transformer 115/230 x 24 VAC.....**\$75.50**

- Used in low voltage control systems
- Amperage rating 40 VA
- Transforms 115V, 208V, 230V to 24 VAC



## Download the DCI Catalog App

Looking for a digital version of the DCI Catalog? Visit the iTunes or Android app store and download it today. View the catalog on your mobile device, iPad or laptop!





## Vacuum Breaker

PN <b>2833</b>	1/4" NPT.....	<b>\$70.00</b>
PN <b>2834</b>	3/8" NPT.....	<b>\$70.00</b>
PN <b>2941</b>	Vacuum Breaker Repair Kit for 1/4" & 3/8" NPT.....	<b>\$32.00</b>
PN <b>2835</b>	1/2" NPT.....	<b>\$76.00</b>
PN <b>2942</b>	Vacuum Breaker Repair Kit for 1/2" FPT.....	<b>\$36.00</b>

- Anti-siphon valve
- For use on all liquid ring pumps
- Chrome plated brass version



## Brass Swing Check Valve

PN <b>2676</b>	3/4".....	<b>\$33.00</b>
PN <b>2839</b>	1".....	<b>\$54.00</b>

- Used on dual vacuum pumps
- 3/4" or 1" NPT
- Prevents vacuum loss while running one pump



## Water Sentinel Switch

PN <b>2675</b>	Water Safety Switch.....	<b>\$59.00</b>
----------------	--------------------------	----------------

- Normally open switch
- 24 Volt AC
- 1/8" NPT
- Closes above 10 PSI
- Shuts pump off when pressure is low or off

FEATURED



## Water Flow Controls

PN <b>2841</b>	0.13 GPM.....	<b>\$80.00</b>
PN <b>2842</b>	0.19 GPM.....	<b>\$80.00</b>
PN <b>2843</b>	0.25 GPM.....	<b>\$80.00</b>
PN <b>2844</b>	0.5 GPM.....	<b>\$80.00</b>
PN <b>2845</b>	1.0 GPM.....	<b>\$80.00</b>

- Original OEM valve
- 3/8" NPT
- Nickel plated brass
- Multiple flow rates
- For use on all liquid ring pumps



## In-line Strainer

PN 2837	3/4" NPT.....	<b>\$56.70</b>
PN 2838	1" NPT.....	<b>\$75.00</b>
PN 2028	1 1/2" NPT.....	<b>\$82.40</b>

- For use on all vacuum systems
- 3/4" / 1" / 1 1/2" NPT

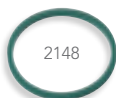


## In-line Strainer Components

PN 2677	1 1/2" x 3 11/16" Long Strainer Screen, for 3/4" strainer.....	<b>\$9.10</b>
---------	--	---------------

PN 2678	2 1/4" x 4 7/32" Long Strainer Screen, for 1" strainer.....	<b>\$9.30</b>
---------	---	---------------

PN 2054	2 1/2" x 5 1/2" Long Strainer Screen, for 1.5" strainer.....	<b>\$9.30</b>
---------	--	---------------



PN 2149	Bowl for 3/4" In-line Strainer.....	<b>\$24.00</b>
---------	-------------------------------------	----------------



PN 2567	Bowl for 1" & 1 1/2" In-line Strainer.....	<b>\$40.50</b>
---------	--	----------------

PN 2148	Gasket for 3/4" In-line Strainer Bowl.....	<b>\$6.20</b>
---------	--	---------------

PN 2096	Gasket for 1" & 1 1/2" In-line Strainer Bowl.....	<b>\$8.20</b>
---------	---	---------------



## Vacuum Gauge

PN 7268	Vacuum Gauge.....	<b>\$21.00</b>
---------	-------------------	----------------

- 1/4" NPT Bottom connection
- 0-30" hg





704

## Vacuum Tubing

PN 704	3/4" I.D. Hose (per ft.)	\$2.70
PN 705	1" I.D. Hose (per ft.)	\$2.80
PN 707	1 1/2" I.D. Hose (per ft.)	\$4.00
PN 709	2" I.D. Hose (per ft.)	\$6.20

- For connection from pump to building plumbing
- Rated to 29" hg
- Provides flexible connection
- Order clamps separately



9350

## Stainless Steel Hose Clamps

PN 9350	Stainless Steel Hose Clamps 3/8" - 7/8" (pkg of 10)	\$18.00
PN 9351	Stainless Steel Hose Clamps 1/2" - 1 1/4" (pkg of 10)	\$20.00



0858

0850

## Garden Hose Connector

PN 0858	Barb Connector	\$9.20
PN 0850	Washer (pkg of 10)	\$3.60

- 3/4" male barb x garden hose female
- For use on suction & drain
- Includes sealing washer



5835

## Vacuum Line Cleaner

PN 5835	Pint Bottle	\$15.50
PN 5836	Case of 12 Pints	\$170.00
PN 5837	1/2 Gallon Bottle	\$51.50

- Continuous cleaning action
- Environmentally safe
- NON foaming
- Contains NO hazardous materials
- 1/2 Gallon provides 128 uses
- Cleans vacuum systems & eliminates odors associated w/ organic waste

FEATURED



## Vacuum Gauge

PN 7268	Vacuum Gauge	\$21.00
---------	--------------	---------

- 1/4" NPT
- 0-30" hg
- Bottom connection



2155

## RAMVAC Vacuum Pump Oil

PN <b>2155</b>	Vacuum Pump Oil, 1 Quart.....	<b>\$26.00</b>
PN <b>2156</b>	Vacuum Pump Oil, 1 Quart - Case of 6.....	<b>\$156.00</b>

- Mobil oil 1 - 15W50, fully synthetic



2879

## RAMVAC Bison V-Type Drive Belts

PN <b>2879</b>	RAMVAC 002163 / 41", Bison 3 & 9.....	<b>\$25.00</b>
PN <b>2880</b>	RAMVAC 002164 / 42", Bison 5.....	<b>\$25.00</b>
PN <b>2881</b>	RAMVAC 002360 / 40", Bison 7.....	<b>\$25.00</b>

- V-type belts
- Fits Bison vacuums
- Original OEM replacement



2874

## RAMVAC Bulldog Cogged-Type Belts

PN <b>2874</b>	RAMVAC OO2035 / 580 mm, Bulldog QT 1.....	<b>\$75.00</b>
PN <b>2875</b>	RAMVAC OO2027 / 600 mm, Bulldog QT 2.....	<b>\$75.00</b>
PN <b>2876</b>	RAMVAC OO2034 / 545 mm, Bulldog QT 3.....	<b>\$75.00</b>
PN <b>2877</b>	RAMVAC OO273 / 650 mm, Bulldog 855 w/ 615 RPM.....	<b>\$75.00</b>
PN <b>2878</b>	RAMVAC OO274 / 670 mm, Bulldog 855 w/ 815 RPM.....	<b>\$75.00</b>

- Cogged type belt
- Original OEM replacement



### TECH TIP

## TRYING TO SOLVE A TOUGH TECHNICAL PROBLEM?

Visit the DCI Service Forum at [www.dcionline.com](http://www.dcionline.com) or the DCI Video Library where you can collaborate with fellow technicians and find the answers to the most challenging dental repairs!

*These parts are manufactured by DCI to fit RAMVAC equipment. DCI has no affiliation with RAMVAC. DCI replacement parts are not manufactured under license or supervision of RAMVAC.*





2028

## Line Strainer

PN **2028** Strainer Assy..... **\$82.40**

- Captures large contaminants
- May be cleaned or disposable
- Transparent bowl
- 1 1/2" NPT

PN **2567** Bowl Only..... **\$40.50**

PN **2054** 2 1/2" x 5 1/2" Long Screen Only..... **\$9.30**

PN **2096** Gasket Only..... **\$8.20**



2096



2883

## Threaded PVC Swing Check Valves

PN **2882** 1 1/4" NPT..... **\$60.00**

PN **2883** 1 1/2" NPT..... **\$72.00**

- Used on tank drains
- Used between pumps
- PVC NPT female threads
- Transparent construction



## Slip Fit Check Valve

PN **2884** 1 1/2" Check Valve..... **\$96.00**

- Double union design
- Easily removed from piping
- NOT threaded or glued
- Used on drains

## Replacement Dry Rotary Vane Pump



2019

PN **2019** 3/4 HP Vacuum Pump..... **\$2,244.00**



2137

PN **2139** Replacement Vanes (pk of 4)..... **\$265.50**

PN **2137** Filter Elements..... **\$35.00**



2128

PN **2128** Exhaust Silencer..... **\$56.50**

- 3/4 HP
- Dual voltage 115 / 230 Volt
- Fits Apollo / Matrix / Midmark® / Tech West / DCI

SHIPS VIA **UPS GROUND**

## Surgical Suction Collection Bottles & Gaskets



2792

PN **2791** Surgical Vacuum Bottle, 1/2 Gallon..... **\$38.00**

PN **2792** Surgical Vacuum Bottle, 1 Gallon..... **\$130.00**

PN **2408** Glass Vacuum Bottle, 1/2 Gallon (case of 6)..... **\$650.00**

PN **2604** Replacement Gasket Rubber..... **\$18.50**

PN **2415** Gasket..... **\$4.00**

- For use w/ surgical suction pumps

*Note: See surgical aspirator tips in Instrumentation section*





### Holder Activated AVS System

PN 5586 Holder Activated AVS System..... **\$370.00**

- Air powered oral evacuation
- Requires 50 PSI minimum air pressure
- 1 quart plastic collection bottle
- Mounts to underside of dental unit or cabinet
- Utilizes traditional HVE's & tubing
- Activated by holder & air switch



### Foot Control Activated AVS System

PN 5585 Foot Control Activated AVS System..... **\$370.00**

- Air powered oral evacuation
- Requires 50 PSI minimum air pressure
- 1 quart plastic collection bottle
- Mounts to under counter or on the wall (hardware included)
- Air connection uses 1/4" O.D. supply tubing
- Precision Comfort Extended HVE 5112
- 6' of Smooth Vacuum Tubing 733
- Requires Scaler Button Style FC to operate (not included)

PN 5582 1 Quart Replacement Bottle..... **\$30.00**

- 1 quart plastic collection bottle

NEW ITEM

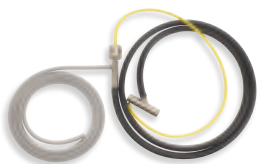


5256

### Water & Air Saliva Ejectors

#### Water Saliva Ejector

PN 5256 Water Saliva Ejector Kit (Includes Jet Assembly, Drain "Y", Tip, & Toggle Valve)..... **\$154.50**  
 PN 5261 Body Assembly w/ Jet..... **\$100.00**  
 PN 5267 Drain "Y"..... **\$25.00**



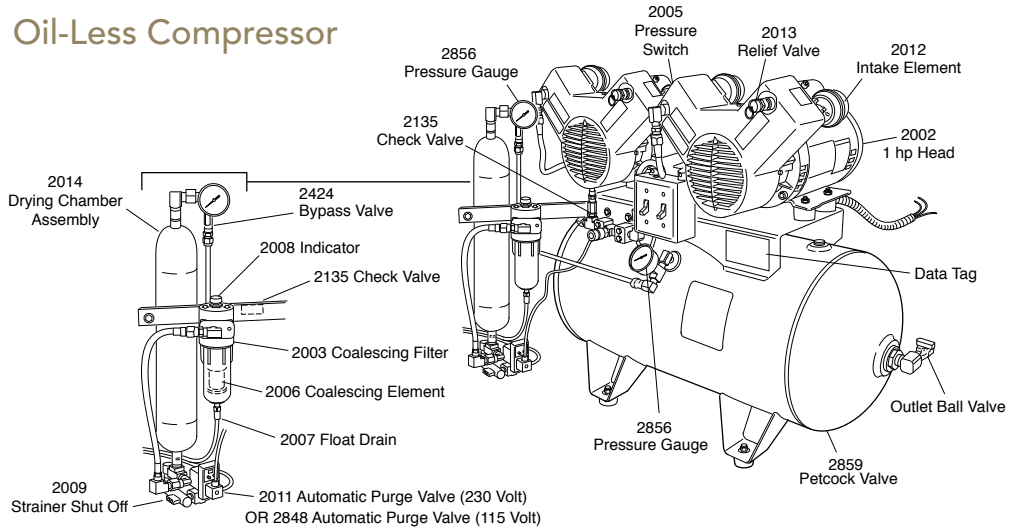
5255

#### Air Saliva Ejector

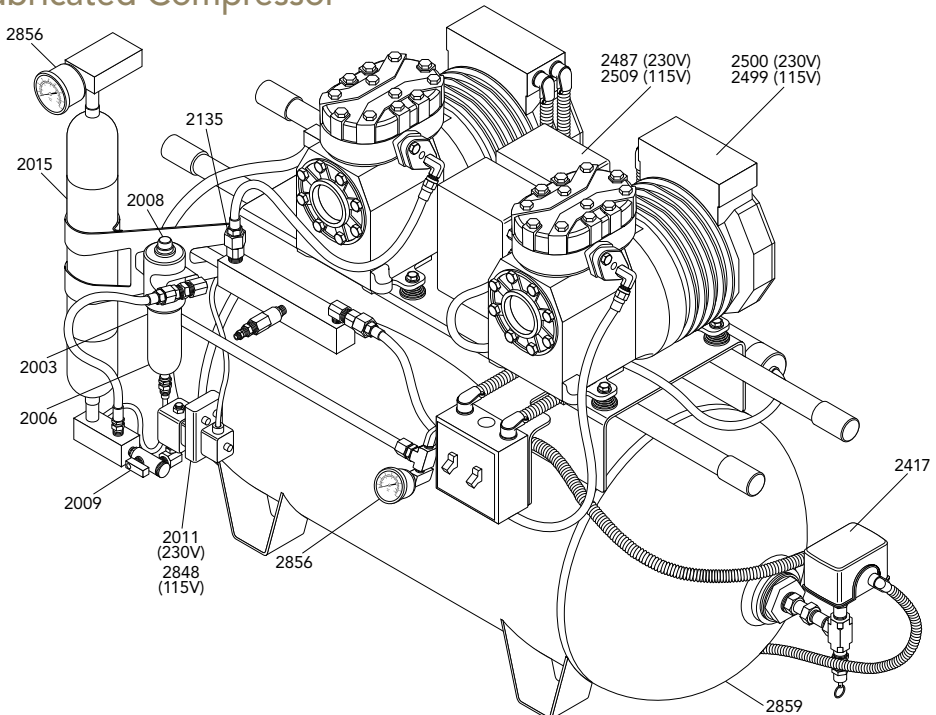
PN 5255 Air Saliva Ejector Kit (Includes Jet Assembly, Drain "Y", Tip, & Toggle Valve)..... **\$154.50**  
 PN 5262 Body Assembly w/ Jet..... **\$100.00**  
 PN 5267 Drain "Y"..... **\$25.00**

- Connects to standard 5/8" I.D. drain
- Uses standard 1/4" O.D. supply tubing

## Oil-Less Compressor



## Lubricated Compressor



# Sterilizer Parts



254 – 257

A-dec®/W&H Lisa



258 – 260

Midmark/Ritter



261 – 262

Pelton & Crane®



263 – 264

SciCan 2000



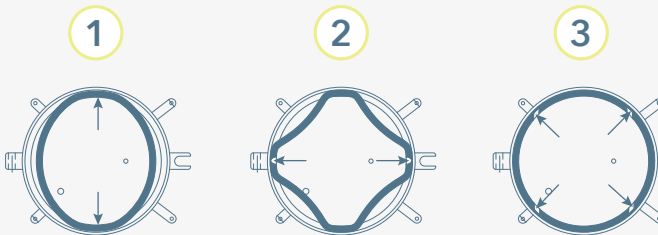
265

Tuttnauer



## TECH TIP

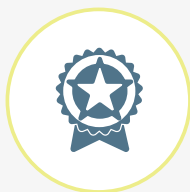
### Proper installation of the Tuttnauer door seal:



**Caution!** This gasket is designed with a trapezoidal cross section. The gasket should be installed with the widest side towards the door.



**Tech Tip:**  
The wider side of the DCI door seal has a slightly beveled edge.



## NEW Packaging!

DCI's OEM quality gaskets now feature space saving packaging. The new packaging prevents gasket damage and make it easy to quickly identify the gasket needed for your next service call. **Try one today!**



### Door Gasket to fit A-dec®/W&H Lisa

PN **2186** Gasket (A-dec® #54.0014.00)..... **\$70.00**



### M9 Door Seal Kit

PN **2194** M9 Door Seal Kit  
(Midmark #002-0361-01 & #057-0790-01)..... **\$90.00**

- Includes gasket, dam & hoop



### M11 Door Seal Kit

PN **2195** M11 Door Seal Kit  
(Midmark #002-0504-00 & #057-0790-00)..... **\$95.00**

- Includes gasket, dam & hoop



### Midmark® / Ritter M7 Door Seal

PN **2117** Door Seal (Midmark #H98134 & #33166)..... **\$26.00**

- For use w/ Midmark® M7 & M7 Speedclave







2100



2101



2102



2103

## Pelton & Crane® Door Seals & Gaskets

PN 2100	Door Seal for 8" OCM (P&C #004014).....	\$40.80
PN 2101	Door Seal for 10" OCR (P&C #004341).....	\$47.20
PN 2102	Door Seal & Dam for 8" Delta / Delta XL / Validator (P&C #1539241).....	\$45.00
PN 2103	Door Seal & Dam for 10" Delta / Delta XL / Validator (P&C #1539407).....	\$52.00
PN 2104	Door Spacer For All 8" or 10" Delta / Delta XL / Validator (P&C #3322281).....	\$6.00

- Meets original manufacturer's specifications



2104

DELTA & VALIDATOR DOOR SEALS  
NOW INCLUDE DAM

FEATURED



2098



2099



2108



2109

## MDT & Harvey Door Gaskets

PN 2098	Door Seal for MDT GLS 8" (MDT #2-60834).....	\$82.00
PN 2099	Door Seal for MDT GLS 10" (MDT #2-513005).....	\$82.00
PN 2097	Door Seal (Quad Ring) for Chemiclave 6000, 8000 & Aquaclave 30 (MDT #260006701).....	\$38.00
PN 2108	Door Seal for Chemiclave 5500, 7000 & Aquaclave 20 (MDT #280000301).....	\$18.00
PN 2109	Door Seal for Chemiclave E, 4000, 5000 & Aquaclave 10 (MDT #250007801).....	\$14.40



## Air Intake Filter to fit A-dec®/W&H Lisa

PN **2812** Air Intake Filter (A-dec® #54.0067.00)..... **\$56.00**

- Replace every 400 cycles
- 3 Micro filtration



## Gasket to fit A-dec®/W&H Lisa

PN **2186** Gasket (A-dec® #54.0014.00)..... **\$70.00**

NEW ITEMS



1823

## Water Line Parts to fit A-dec®/W&H Lisa

PN **1823** Water Supply Tubing..... **\$10.00/ft.**

- Used in A-dec® #54.0029.00/54.0181.00 assemblies
- Water supply/drain tubing for A-dec Lisa sterilizer



9422

PN **9422** Inline Water Filter (A-dec® #54.0066.01)..... **\$21.00**

- Inline filter for water supply lines
- Removes large contaminants



### TECH TIP

**HOW OFTEN DOES THE GASKET (PN 2186) NEED TO BE REPLACED?**

Every **1,000 cycles** or every year.

**HOW OFTEN DOES THE AIR INTAKE FILTER (PN 2812) NEED TO BE REPLACED?**

Every **400 cycles** or every 3 months.

*These parts are manufactured by DCI to fit A-dec® and W&H Lisa equipment. DCI has no affiliation with A-dec Inc or W&H Lisa. DCI replacement parts are not manufactured under license or supervision of A-dec® or W&H Lisa.*





## Vacuum Pump Membrane Kit to fit A-dec®/W&H Lisa

PN **9420** Membrane Kit (A-dec® #54.0051.00)..... **\$420.00**

**Kit Includes:**

- Diaphragms, Qty. 2
- Butterfly Valves, Qty. 4
- O-Rings, Qty. 2



## Water Pump to fit A-dec®/W&H Lisa

PN **9303** Water Pump (A-dec® #54.0049.00)..... **\$260.00**

- 230 Volt



## EV Valves to fit A-dec®/W&H Lisa

PN <b>9423</b>	EV5, (used in A-dec® #54.0090.00).....	<b>\$220.00</b>
PN <b>9424</b>	EV1/EV3 (A-dec® #54.0048.00).....	<b>\$252.00</b>
PN <b>9425</b>	EV2/EV4 (used in A-dec® #54.0027.00).....	<b>\$268.00</b>

NEW ITEMS

**Know the OEM #? Need the DCI PN?**

**#** Use the *DCI Cross Reference Database* on [www.dcionline.com](http://www.dcionline.com) to quickly search over 5,000 OEM PN's.

*These parts are manufactured by DCI to fit A-dec® and W&H Lisa equipment. DCI has no affiliation with A-dec Inc or W&H Lisa. DCI replacement parts are not manufactured under license or supervision of A-dec® or W&H Lisa.*



### M9 Door Seal Kit

PN **2194** M9 Door Seal Kit  
(Midmark #002-0361-01 & #057-0790-01)..... **\$90.00**

- Includes gasket, dam & hoop



### M11 Door Seal Kit

PN **2195** M11 Door Seal Kit  
(Midmark #002-0504-00 & #057-0790-00)..... **\$95.00**

- Includes gasket, dam & hoop



2192

### Midmark® M9 & M11 Solenoids (Old Style)

PN **2192** Midmark M9 & M11 Vent Solenoid (old style)  
(Midmark #002-366-00)..... **\$133.90**



2193

PN **2193** Midmark M9 & M11 Fill Solenoid (old style)  
(Midmark #002-365-00)..... **\$175.10**



### M9 & M11 Fan

PN **2189** M9 & M11 Fan, 115V (Midmark #015-1368-00)..... **\$50.00**





### M9 & M11 Chamber Screens

PN **2320** M9 and M11 Chamber Screens (pkg of 2)  
(Midmark #002-0360-00)..... **\$17.00**



### Midmark® / Ritter Thermostat M7 / M9 / M11

PN **2905** Thermostat (Midmark #002-0370-00)..... **\$26.00**



### Midmark® / Ritter Relief Valve M9 & M11

PN **2816** Relief Valve (Midmark #002-0359-00)..... **\$118.30**

- Original OEM replacement
- 1/2" NPT
- Rated for 35 PSI



### Midmark® / Ritter M7 Door Seal

PN **2117** Door Seal (Midmark #H98134 & #33166)..... **\$26.00**

- For use w/ Midmark® M7 & M7 Speedclave



### Midmark® / Ritter M7, M9 & M11 Relief Valve

PN **2815** Relief Valve (Midmark #H98089 & #11683)..... **\$80.00**

- Original OEM replacement
- 1/8" NPT
- 38 PSI



2098

## MDT & Harvey Door Gaskets

PN **2098** Door Seal for MDT GLS 8" (MDT #2-60834)..... **\$82.00**



2099

PN **2099** Door Seal for MDT GLS 10" (MDT #2-513005)..... **\$82.00**



2108

PN **2097** Door Seal (Quad Ring) for Chemiclave 6000,  
8000 & Aquaclave 30 (MDT #260006701)..... **\$38.00**

PN **2108** Door Seal for Chemiclave 5500,  
7000 & Aquaclave 20 (MDT #280000301)..... **\$18.00**



2109

PN **2109** Door Seal for Chemiclave E, 4000, 5000 &  
Aquaclave 10 (MDT #250007801)..... **\$14.40**

## MDT & Harvey Indicator Lamps



8671

PN **8671** Solution Indicator Light, Red (MDT #250056901)..... **\$10.00**



8673

PN **8673** Temperature Indicator Light, Amber (MDT #250056921)..... **\$7.00**



8674

PN **8674** Sterile Indicator Light, Green (MDT #250056931)..... **\$9.00**

- For use on: Aquaclave 10, 20 & 30, Chemiclave E, 4000, 5000, 5500 & 6000
- 125 VAC, 1/3 watt
- Includes Tinnerman® clip





2100



## Pelton & Crane® Door Seals & Gaskets

PN 2100 Door Seal for 8" OCM (P&C #004014)..... \$40.80

PN 2101 Door Seal for 10" OCR (P&C #004341)..... \$47.20



2101



PN 2102 Door Seal & Dam for 8" Delta / Delta XL / Validator  
(P&C #1539241)..... \$45.00

PN 2103 Door Seal & Dam for 10" Delta / Delta XL / Validator  
(P&C #1539407)..... \$52.00



2102



PN 2104 Door Spacer For All 8" or 10" Delta / Delta XL /  
Validator (P&C #3322281)..... \$6.00

- Meets original manufacturer's specifications



2103



2104

DELTA & VALIDATOR DOOR SEALS  
NOW INCLUDE DAM

FEATURED



## Pelton & Crane® Fill / Vent Water Filter

PN 2111 Fill / Vent Filter (P&C #1881031 & #004326)..... \$10.90

- For use w/ Pelton & Crane® models: Sentry, OCM, OCR, Validator 8 & 10, Delta 8 & 10, Delta XL 8 & 10
- 120 to 150 micron



## Pelton & Crane® Reservoir Filter

PN 2157 Reservoir Filter (P&C #9432311)..... \$22.00

- 120 micron brass filter w/ 3/8
- 24 FPT
- Fits Validator & Delta

These parts are manufactured by DCI to fit Pelton & Crane® autoclaves.



### Pelton & Crane® Temperature Gauge OCM / OCR

**PN 2118** Temperature Gauge (P&C #014451 & #4700147)..... **\$168.00**

- For use w/ Pelton & Crane® models OCM & OCR
- Dual scale: 50°-350° F / 40°-176° C



### Pelton & Crane® Relief Valve

**PN 2816** Relief Valve (P&C #004146)..... **\$118.30**

- 1/2" NPT
- Brass pull ring for testing
- Fits OCM & OCR
- Rated for 35 PSI



### Pelton & Crane® Delta Check Valve Kit

**PN 2818** Pelton & Crane Delta Check Valve Kit (P&C #5440586)..... **\$66.00**

- 1/8" NPT Female



### Pelton & Crane® Delta Air Compressor 2000

**PN 2906** Compressor (P&C #3325086)..... **\$670.00**

- 115 Volt AC
- Fit all Delta models
- 24" Lead
- Includes check valve PN 2818



#### TECH TIP

Always be sure to change out your Statim tubing once it becomes contaminated with debris. Restrictions in the tubing cause longer drying cycles.

*These parts are manufactured by DCI to fit Pelton & Crane® equipment. DCI has no affiliation with Pelton & Crane. DCI replacement parts are not manufactured under license or supervision of Pelton & Crane®.*



Easy Online Ordering





## Statim Steam Bottle

PN 2120	Statim Steam Bottle.....	\$235.00
PN 2174	Statim Air Gap Kit (backflow prevention device).....	\$80.00
PN 2125	High Temperature Teflon Tubing (per ft.).....	\$5.00

- No maintenance Statim Steam collection bottle
- Includes installation hardware
- Converts steam from Statim to liquid & routes to sink

FEATURED



2909

## Statim Solenoid Valve Kit 2000 & 5000

PN 2910	Statim Solenoid Valve Kit 2000.....	\$257.50
PN 2911	Statim Solenoid Valve Kit 5000.....	\$257.50
PN 2909	Statim Solenoid Valve 2000 & 5000.....	\$185.40
PN 2912	Repair Kit for Solenoid Valve (DCI kits only).....	\$98.00
PN 9341	Swivel Elbow Fitting for Exhaust Tubing.....	\$8.50
PN 9342	Straight Fitting for Exhaust Tubing.....	\$6.00



2911

- 2-way normally closed
- Rated to 175 PSI
- 1/8" NPT
- 115 Volt AC
- Includes swivel push-in elbow fitting



2912

## SciCan Relief Valve 2000 & 5000

PN 2817	SciCan Relief Valve (SciCan #01-106787S).....	\$56.70
---------	---	---------

- 1/8" NPT
- 70 PSI





### SciCan Check Valve Kit 2000 & 5000

PN **2818** SciCan Check Valve 2000 & 5000 (SciCan #01-100574S)..... **\$66.00**

- 1/8" NPT Female



### SciCan Air Compressor 2000

PN **2906** Compressor (SciCan #01-100560S)..... **\$670.00**

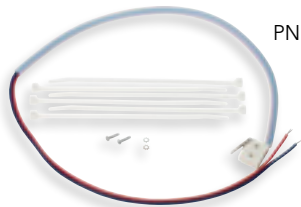
- 115 Volt AC
- Fits model 2000
- 24" Lead
- Includes check valve PN 2818



### SciCan Power Switch 2000 & 5000

PN **2895** Power Switch (SciCan #01-100573S)..... **\$9.50**

- Double pole / single throw
- 125-250 VAC
- Panel mount 3/4 x 1/2

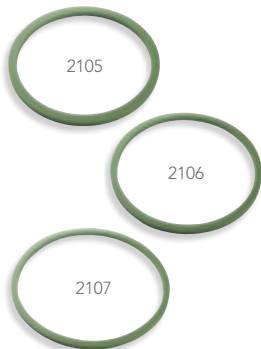


### SciCan Cassette Switch Kit 2000

PN **2896** Cassette Switch Kit (SciCan #01-00571S)..... **\$37.00**

- Cherry micro switch
- 115 VAC
- 5 amp





## Tuttnauer Door Seals

PN <b>2105</b>	Door Seal for Tuttnauer 1730 Series (Tuttnauer #02610020).....	<b>\$42.00</b>
PN <b>2106</b>	Door Seal for Tuttnauer 2340 Series, serial #8805 & below (Tuttnauer #02610005).....	<b>\$52.00</b>
PN <b>2107</b>	Door Seal for Tuttnauer 2540 Series (Tuttnauer #02610023).....	<b>\$52.00</b>

- Manufactured by DCI to fit Tuttnauer autoclaves
- Meets original manufacturer's specifications

FEATURED



## Tuttnauer Indicator Lights

PN <b>8671</b>	Lamp, Red (Tuttnauer #P-77117-143).....	<b>\$10.00</b>
PN <b>8673</b>	Lamp, Amber (Tuttnauer #P-77117-145).....	<b>\$7.00</b>
PN <b>8674</b>	Lamp, Green (Tuttnauer #P-77117-144).....	<b>\$9.00</b>

- 125 VAC - 1/3 watt
- Includes mounting clip



## Tuttnauer Relief Valve

PN <b>2889</b>	37 PSI Relief Valve (Tuttnauer #03110003).....	<b>\$39.00</b>
PN <b>2191</b>	40 PSI Relief Valve (Tuttnauer #03110002).....	<b>\$39.00</b>

- 1/4" MPT Relief



## Tuttnauer Power Switch

PN <b>2890</b>	Power Switch (Tuttnauer #01910172).....	<b>\$22.50</b>
----------------	---	----------------

- Double pole / single throw
- 125-250 VAC / 16 amp
- Illuminated switch



## Tuttnauer Fan

PN <b>2907</b>	Fan (Tuttnauer #04203801).....	<b>\$44.00</b>
----------------	--------------------------------	----------------

NEW ITEM

## Tuttnauer Limit Switch



PN **2892** Main Valve Limit Switch (Tuttnauer #01910191).....**\$22.70**

- Mounts to main valve assembly
- 2 1/2" arm
- 125-250 VAC / 15 amp
- Fits all models

## Tuttnauer Door Switch



PN **2891** Door Switch (Tuttnauer #01910190).....**\$30.00**

- Wired normally open
- 125-250 VAC / 15 amp
- Fits all models

## Tuttnauer Circuit Breaker 7 Amp



PN **2898** 7 amp Circuit Breaker (Tuttnauer #01910099).....**\$15.50**

- Push to reset
- 7 amp rating
- Fits model 1730 (230) Volt M&E

## Tuttnauer Circuit Breaker 15 Amp



PN **2899** 15 amp Circuit Breaker (Tuttnauer #01910100).....**\$15.50**

- Push to reset
- 15 amp rating
- Fits models: 1730 (115) Volt M, E, MK, & EK,  
1730 (230) Volt MK & EK 2340 / 2540 (115) Volt  
M & E, 2340 / 2540 (230) Volt M, E, MK, & EK  
3870 (230) Volt M & E



# Scaler Parts



268

Dentsply™  
Water Regulators



269

Dentsply™ Solenoid  
Valves & O-Ring



270

Dentsply™  
Foot Switches



271

Q.D. Panels &  
Mounting Brackets



272

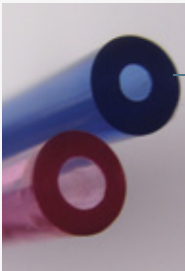
Tubing & Holders



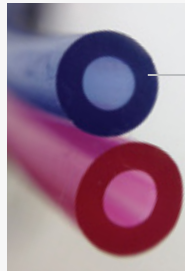
## TECH TIP

### Not sure what Propy Tubing you need?

A large paper clip fits perfectly into the water line on the 636 and 635.



636/635  
Water tubing  
is smaller  
than the air



631/630  
Air and water  
tubing are the  
same size



## Dentsply™ Water Regulator w/ Extended Stem

PN **7209** Water Regulator w/ Extended Stem (Dentsply™ #79685)..... **\$74.00**

- Fits Dentsply™ models w/ extended stem
- Includes 1/4" poly flow connector



## Dentsply™ SPS Type Water Regulator

PN **7199** Dentsply™ SPS Type Water Regulator (Dentsply™ #80742)..... **\$142.00**

- Fits Cavitron Jet w/ SPS Technology & Cavitron w/ SPS Technology

FEATURED



## Dentsply™ Style Regulator

PN **7094** Water Regulator (Dentsply™ #60407)..... **\$55.00**

- Includes 1/4 x 10-32 poly connector (0054)
- To fit the following units: Cavitron® 3000 & 2002, Prophy-Jet® 30, Cavi-Jet® 30, Cavi-Endo® 25, Cavi-Med



## Download the DCI Catalog App

Looking for a digital version of the DCI Catalog? Visit the iTunes or Android app store and download it today. View the catalog on your mobile device, iPad or laptop!





### Bobcat Water Solenoid Valve Assembly

PN **9402** Bobcat Water Solenoid Valve Assembly  
(Dentsply™ #77792)..... **\$148.00**

- 24 Volt
- 1/8" FPT



### Cavitron Water Solenoid Valve Assembly

PN **9404** Cavitron Water Solenoid Valve Assembly  
(Dentsply™ #776030250)..... **\$148.00**

- 24 Volt
- 1/8" FPT



### Dentsply™ SPS Style Water Solenoid Valve

PN **2939** Dentsply™ SPS Style Water Solenoid Valve  
(Dentsply™ #571070003)..... **\$140.00**

- Fits Dentsply™ Cavitron SPS w/ SPS Technology & Cavitron Jet w/ SPS Technology
- 24 Volt DC
- 2, 1/8" FPT Ports



### Cavitron Type Insert O-Rings

PN **2307** Cavitron Type Insert O-Rings, (pkg of 12)  
(Dentsply™ #62605)..... **\$16.50**

PN **2307-1** Cavitron Type Insert O-Rings, (pkg of 1)..... **\$1.50**

- Autoclavable
- Fits Cavitron Jet Nozzle, SlimLine, P Style, Cavitron Med & Pel inserts

#### Know the OEM #? Need the DCI PN?



Use the *DCI Cross Reference Database* on [www.dcionline.com](http://www.dcionline.com) to quickly search over 5,000 OEM PN's.



## Dentsply™ Foot Switch

PN **9407** Foot Switch (Dentsply™ #60473)..... **\$170.00**

- 2 Position
- Fits various Dentsply™ products



## Cavitron Foot Switch

PN **9401** Cavitron Foot Switch For 3000 & 2002  
(Dentsply™ #61187)..... **\$124.00**

- Single position switch
- 8' Cord



## Dentsply™ Bobcat Foot Switch

PN **9408** Dentsply™ Bobcat Foot Switch (Dentsply™ #77885)..... **\$130.00**

- Single position switch
- 8' Cord



## Cavitron SPS Type Foot Switch

PN **9405** Cavitron SPS Foot Switch (Dentsply™ #565138002)..... **\$178.00**

- 2 Position
- 8' Cord



## Cavitron Select Type Foot Switch

PN **9400** (Dentsply™ #565162002)..... **\$184.00**

- Single Position Switch
- 8' Cord



## Cavitron Select SPS Type Foot Switch

PN **9406** (Dentsply™ #565162005)..... **\$165.00**

- 2 Position
- 8' Cord







## Air & Water Auxiliary Q.D. Panels

PN <b>6559</b>	Gray Auxiliary Panel.....	<b>\$180.30</b>
PN <b>6569</b>	White Auxiliary Panel.....	<b>\$180.30</b>

- Mounts in any vertical access panel up to 5/8" thick
- 1/4" Water quick connect w/ flow control
- Available in white or gray
- 3/8" Air quick connect w/ on/off switch
- Dimensions 3" x 4"



## Valve / Switch / Q.D. Mounting Brackets

PN <b>7078</b>	Single Mount, L: 1 1/2" H: 7/8" W: 3/4".....	<b>\$6.90</b>
PN <b>7079</b>	Dual Mount, L: 3" H: 7/8" W: 3/4".....	<b>\$9.00</b>
PN <b>7114</b>	Triple Mount, L: 3" H: 7/8" W: 3/4".....	<b>\$14.70</b>

- 1/2" I.D. mounting holes
- White powder coat finish
- Used to mount toggles, indicators, Q.D.'s & air electric switches



## 3/4" & 1/2" I.D. Toggle Mounting Bracket

PN <b>7113</b>	Q.D. Mounting Bracket, L: 3" H: 7/8" W: 3/4".....	<b>\$12.26</b>
----------------	---	----------------

- One 1/2" mounting hole
- One 3/4" mounting hole
- White powder coat finish

Looking for Quick  
Disconnect  
options?

See page **130**



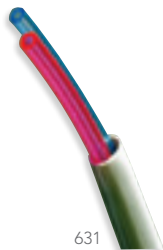
0868



640

## Ultrasonic Scaler Tubing

PN **640** Straight (7 ft. Length)..... **\$25.00**



631

## Prophy Tubing 7 ft. Length

GRAY	BLACK		
<b>631</b>	<b>630</b>	For Dentsply™ / Cavitron Prophy-Jet Model C-100 & C-200.....	<b>\$25.80</b>
<b>636</b>	<b>635</b>	For Dentsply™ / Cavitron Prophy-Jet Model C-300 & Cavi-Jet Model G105.....	<b>\$30.00</b>

FEATURED



4562

## Electric Auto Holders

GRAY	WHITE	BLACK		
<b>5967</b>	<b>4562</b>	<b>5966</b>	Normally Open.....	<b>\$50.00</b>
<b>5969</b>	<b>4563</b>	<b>5968</b>	Normally Closed.....	<b>\$50.00</b>
<b>5976</b>			HVE Normally Closed.....	<b>\$55.00</b>

- Holder assembly w/ low voltage switch for direct activation of electrical accessory
- On/off lockout toggle, 5966-5969
- 125 Volts AC / DC 5 amps



5967



Visit the DCI Video Library for a demonstration on adjusting automatic holders.



## Cavitron Handpiece Sleeve Assembly

PN **5912** Sleeve Assembly..... **\$9.30**

- Adapts handpiece assembly to fit standard holders
- Molded plastic w/ set screw



PN	PRICE	PAGE #	PN	PRICE	PAGE #	PN	PRICE	PAGE #	PN	PRICE	PAGE #
0003	\$14.00	38	0062	\$4.90	137	0127	\$2.20	141	235	\$0.60	<b>150</b> , 190
0004	\$43.00	131	0063	\$6.00	137	0131	\$1.70	139	236	\$0.60	150
0005	\$17.00	<b>131</b> , 132	0064	\$1.60	135, <b>137</b> , 167	0133	\$3.00	139	242	\$0.80	152
0006	\$16.00	131	0065	\$1.60	<b>137</b> , 167	0135	\$5.80	141	243	\$1.44	152
0007	\$19.50	132	0066	\$5.70	136	0136	\$5.80	141	246	\$1.44	152
0008	\$17.00	132	0067	\$2.30	133	0137	\$6.00	141	252	\$1.20	151
0010	\$24.00	131	0068	\$2.30	133	0138	\$18.00	141	253	\$2.16	151
0011	\$13.20	31, <b>131</b>	0069	\$11.00	136	0139	\$17.00	141	255	\$1.44	152
0012	\$21.00	131	0070	\$2.00	<b>134</b> , 167	0140	\$2.00	140	256	\$1.44	152
0013	\$10.50	131	0071	\$1.50	<b>134</b> , 167	0141	\$2.00	140	302	\$1.20	48, <b>149</b>
0014	\$11.00	131	0072	\$4.00	<b>134</b> , 135, 167	0142	\$3.80	140	322	\$1.06	48, <b>149</b>
0015	\$8.00	131	0073	\$4.50	133	0143	\$2.60	139	332	\$1.50	150
0016	\$9.72	131	0074	\$4.90	<b>133</b> , 167	0144	\$3.60	139	343	\$1.90	152
0017	\$8.50	131	0075	\$5.60	60, 62, <b>133</b> , 167	0145	\$5.80	139	348	\$1.90	152
0018	\$7.00	131	0076	\$14.00	134	0146	\$4.80	140	349	\$1.90	152
0019	\$5.00	144	0077	\$5.30	<b>134</b> , 135, 167	0147	\$8.00	140	350	\$1.90	152
0020	\$4.50	144	0078	\$8.20	<b>134</b> , 135, 167	0148	\$11.00	140	360	\$257.50	42
0021	\$4.50	<b>144</b> , 167	0079	\$10.00	134	0149	\$7.50	139	361	\$257.50	42
0022	\$4.56	145	0080	\$11.50	137	0150	\$6.50	139	362	\$257.50	42
0023	\$4.56	<b>145</b> , 167	0081	\$12.50	137	0151	\$8.00	139	364	\$257.50	42
0024	\$3.00	145	0082	\$9.90	<b>136</b> , 167	0152	\$1.20	138	402	\$1.12	48, <b>149</b>
0025	\$3.00	145	0083	\$10.30	<b>136</b> , 167	0153	\$1.70	138	421	\$2.50	151
0026	\$5.50	145	0084	\$6.50	60, 61, 62, <b>133</b>	0154	\$2.00	138	422	\$1.30	151
0027	\$4.56	145	0085	\$3.10	<b>62</b> , 133	0155	\$2.00	139	423	\$2.50	151
0030	\$5.10	144	0086	\$11.60	137	0157	\$3.20	139	425	\$2.50	151
0031	\$3.00	144	0087	\$12.00	137	0158	\$6.88	139	426	\$3.00	151
0032	\$2.50	144	0089	\$3.20	134	0159	\$1.30	140	427	\$2.50	151
0033	\$4.10	144	0090	\$3.30	138	0160	\$1.90	140	428	\$3.00	151
0034	\$8.00	144	0091	\$3.00	138	0165	\$0.80	38	431	\$1.30	48, <b>149</b>
0035	\$6.80	144	0092	\$1.36	139	0166	\$0.80	38	432	\$1.30	48, <b>149</b>
0036	\$6.00	144	0093	\$1.50	140	0167	\$6.80	137	433	\$1.30	48, <b>149</b>
0037	\$10.00	144	0094	\$1.36	108, <b>138</b>	0168	\$5.50	115, 126, <b>135</b>	435	\$1.30	48, <b>149</b> , 190
0038	\$9.00	144	0096	\$8.00	140	0171	\$5.00	<b>135</b> , 198	436	\$1.30	48, <b>149</b>
0040	\$6.20	144	0097	\$1.00	140	0181	\$6.00	130	451	\$257.50	42
0041	\$6.20	144	0098	\$1.50	140	0182	\$7.00	130	453	\$257.50	42
0042	\$2.70	143	0099	\$1.10	140	0183	\$5.40	130	455	\$257.50	42
0044	\$5.40	107, <b>143</b>	0100	\$3.80	107, <b>142</b>	0184	\$7.00	130	459	\$257.50	42
0045	\$7.90	129, <b>144</b>	0102	\$8.20	142	0185	\$7.50	130	510	\$3.10	151
0047	\$4.90	143	0105	\$6.00	136	0187	\$36.10	<b>133</b> , 135, 167	511	\$3.10	<b>151</b> , 192
0048	\$2.56	143	0112	\$2.00	140	0188	\$38.00	<b>133</b> , 135, 167	512	\$3.10	151
0049	\$3.80	143	0113	\$2.00	140	0189	\$38.00	<b>133</b> , 135, 167	513	\$3.10	151
0050	\$3.00	143	0114	\$7.50	144	0197	\$16.00	<b>134</b> , 135, 167	582	\$220.00	42
0051	\$2.80	143	0119	\$6.70	143	0198	\$12.30	<b>134</b> , 135, 167	583	\$220.00	42
0052	\$2.70	143	0120	\$8.20	44	0199	\$24.00	134	630	\$25.80	<b>150</b> , 272
0053	\$2.00	107, 108, <b>143</b>	0121	\$8.20	44	212	\$0.90	48, <b>149</b>	631	\$25.80	<b>150</b> , 272
0054	\$3.20	109, 138, <b>143</b>	0122	\$3.30	44	222	\$0.70	150	635	\$30.00	<b>150</b> , 272
0055	\$3.30	144	0123	\$3.30	44	231	\$0.60	150	636	\$30.00	<b>150</b> , 272
0056	\$3.30	144	0124	\$3.30	<b>44</b> , 167	232	\$0.60	96, <b>150</b>	640	\$25.00	<b>150</b> , 272
0057	\$1.80	144	0125	\$2.70	140	233	\$0.60	150	645	\$1.20	150
0058	\$6.00	143							646	\$1.20	150
0059	\$5.00	143							653	\$6.40	102, <b>151</b> , 192
0060	\$3.10	143							654	\$6.40	102, <b>151</b>
0061	\$3.00	143							701	\$2.26	153

PN	PRICE	PAGE #	PN	PRICE	PAGE #	PN	PRICE	PAGE #	PN	PRICE	PAGE #
703	\$2.40	153	0850	\$3.60	145, 247	0960	\$2.30	146	1701	\$3.20	154, 198
704	\$2.70	153, 247	0851	\$5.60	145	0961	\$2.10	146	1702	\$3.20	154, 198
705	\$2.80	153, 247	0852	\$6.60	145	0962	\$2.30	146	1703	\$3.20	154, 198
706	\$3.20	153	0853	\$4.66	145	0964	\$1.60	146	1706	\$3.20	154, 198
707	\$4.00	153, 247	0854	\$4.66	145	0965	\$1.80	146	1708	\$3.20	154, 198
708	\$5.40	153	0855	\$3.60	145	0966	\$2.10	146	1823	\$10.00	256
709	\$6.20	153, 247	0856	\$3.60	145	0967	\$2.30	146	2002	\$2,642.50	237, 252
713	\$2.26	153	0858	\$9.20	145, 247	0968	\$3.50	146	2003	\$400.00	239, 252
714	\$2.40	153	0864	\$5.50	143	0970	\$1.80	146	2005	\$70.00	242, 252
715	\$2.70	153	0866	\$21.00	130	0971	\$1.80	146	2006	\$195.00	239, 252
716	\$2.80	153	0867	\$4.50	138	0972	\$2.60	146	2007	\$96.00	238, 239, 252
717	\$3.20	153	0868	\$21.00	130	0973	\$2.60	146	2008	\$98.00	239, 252
718	\$4.00	153	0869	\$21.00	130	0974	\$2.60	146	2009	\$20.60	242, 252
719	\$5.40	153	0870	\$26.00	130	0975	\$3.10	146	2011	\$162.00	242, 252
720	\$6.20	153	0872	\$26.00	130	0976	\$3.10	146	2012	\$16.00	237, 252
721	\$7.50	153	0873	\$26.00	130	0977	\$3.10	146	2013	\$48.00	252
722	\$5.60	153	0880	\$3.60	141	0978	\$2.10	146	2014	\$499.00	241, 252
731	\$2.50	152	0881	\$4.10	141	0979	\$2.00	146	2015	\$513.20	252
732	\$3.80	152	0882	\$9.00	141	0980	\$2.10	146	2016	\$21.00	241
733	\$2.30	77, 152	0889	\$1.00	142	0981	\$2.70	146	2019	\$2,244.00	250
734	\$2.30	152	0890	\$1.50	142	0982	\$2.50	146	2023	\$170.00	242
737	\$2.30	152, 191	0891	\$2.06	138	0983	\$1.80	146	2028	\$82.40	246, 249
739	\$3.80	152	0892	\$2.90	138	0991	\$5.00	133	2030	\$432.60	232, 233
740	\$6.50	153	0897	\$3.50	139	0992	\$2.40	135	2034	\$6.20	58
742	\$2.30	152	0899	\$6.00	138	0993	\$24.00	135	2035	\$6.20	58
743	\$2.50	152	0900	\$7.60	139	0994	\$4.10	146	2040	\$1.20	58
744	\$2.30	152	0904	\$8.20	106, 142	1020	\$15.50	78	2041	\$3.80	59
752	\$2.20	153	0907	\$4.80	140	1201	\$0.28	154	2050	\$70.00	233
0801	\$2.30	142	0911	\$0.50	104	1202	\$0.28	154	2051	\$41.20	113, 233
0806	\$2.50	141	0914	\$3.20	141	1203	\$0.28	154	2052	\$376.00	233
0807	\$3.50	141	0917	\$12.00	140	1204	\$0.28	154	2054	\$9.30	246, 249
0808	\$3.00	141	0918	\$8.00	140	1205	\$0.28	154	2060	\$4.60	58
0809	\$3.80	141	0920	\$2.10	142	1206	\$0.28	154	2073	\$136.00	233
0811	\$4.00	139	0921	\$2.00	142	1207	\$0.28	154	2075	\$433.00	233
0812	\$7.60	139	0922	\$4.10	142	1208	\$0.28	154	2076	\$82.40	113, 233
0813	\$3.00	142	0923	\$4.20	142	1401	\$0.64	154	2080	\$16.00	132
0815	\$2.50	142	0936	\$7.50	143	1402	\$0.64	154	2081	\$10.00	132
0823	\$9.00	141	0942	\$8.30	137	1403	\$0.64	154	2088	\$72.00	112
0824	\$5.50	141	0943	\$2.00	145	1404	\$0.64	154	2096	\$8.20	246, 249
0826	\$4.80	141	0944	\$2.00	145	1405	\$0.64	154	2097	\$38.00	255, 260
0832	\$2.80	141	0945	\$6.30	145	1406	\$0.64	154	2098	\$82.00	255, 260
0834	\$3.20	140	0946	\$8.00	145	1407	\$0.64	154	2099	\$82.00	255, 260
0835	\$0.80	138	0947	\$2.00	145	1408	\$0.64	154	2100	\$40.80	255, 261
0836	\$2.10	139	0948	\$2.50	145	1409	\$0.64	154	2101	\$47.20	255, 261
0837	\$4.70	140	0949	\$22.00	47	1417	\$0.64	154	2102	\$45.00	255, 261
0838	\$5.00	139	0951	\$4.50	135, 136, 167	1418	\$0.64	154	2103	\$52.00	255, 261
0839	\$3.20	139	0952	\$7.00	135, 136, 167	1419	\$0.64	154	2104	\$6.00	255, 261
0840	\$3.90	139	0954	\$9.00	45, 157	1550	\$506.00	174	2105	\$42.00	265
0841	\$7.00	139	0955	\$4.40	159, 160	1555	\$550.00	174	2106	\$52.00	265
0842	\$8.00	139	0956	\$80.00	45	1560	\$75.00	174	2107	\$52.00	265
0843	\$2.90	141	0957	\$80.00	45	1561	\$210.00	174	2108	\$18.00	255, 260
0844	\$2.70	141	0958	\$90.00	45	1602	\$1.20	154	2109	\$14.40	255, 260
0845	\$3.50	141	0959	\$1.40	146	1603	\$1.20	154	2110	\$2.30	57, 114
0846	\$4.00	141				1605	\$1.20	154	2111	\$10.90	261
0847	\$5.50	141				1608	\$1.20	154			



PN	PRICE	PAGE #	PN	PRICE	PAGE #	PN	PRICE	PAGE #	PN	PRICE	PAGE #
2117	\$26.00	<b>254</b> , 259	2211	\$2.90	60, 61, <b>62</b> , 169, 171	2254	\$8.20	46, 78, 79, 80, 167, <b>170</b> , 171	2307	\$16.50	269
2118	\$168.00	262	2212	\$2.90	60, 61, <b>62</b> , 169, 171	2255	\$3.40	167, <b>169</b> , 171	2309	\$8.20	<b>78</b> , 79
2120	\$235.00	263	2214	\$2.90	<b>169</b> , 171	2256	\$8.20	78, 79, 80, 167, <b>169</b> , 171	2310	\$6.00	197
2125	\$5.00	263	2215	\$2.90	<b>112</b> , 127, 170	2257	\$8.20	46, 78, 79, 80, <b>170</b> , 171	2312	\$6.00	197
2128	\$56.50	250	2217	\$5.00	<b>169</b> , 171	2259	\$8.10	61, <b>62</b> , 169, 171	2320	\$17.00	259
2135	\$58.10	<b>243</b> , 252	2218	\$2.90	126, <b>169</b> , 171	2260	\$8.10	61, <b>62</b> , 169, 171	2400	\$145.00	241
2137	\$35.00	250	2220	\$4.90	<b>169</b> , 171	2261	\$5.70	<b>169</b> , 171	2404	\$51.50	221
2139	\$265.50	250	2221	\$3.90	73, <b>170</b> , 171	2262	\$8.70	<b>169</b> , 171	2408	\$650.00	250
2148	\$6.20	246	2222	\$2.90	<b>170</b>	2263	\$8.10	61, <b>62</b> , 169, 171	2414	\$23.50	235
2149	\$24.00	246	2223	\$2.90	<b>170</b>	2264	\$8.10	61, <b>62</b> , 169, 171	2415	\$4.00	250
2150	\$40.00	122	2224	\$3.70	170, 171	2266	\$9.50	61, <b>62</b> , 169, 171	2417	\$102.00	<b>242</b> , 252
2151	\$34.50	122	2225	\$2.90	96, 125, 126, 169, 171, <b>180</b>	2267	\$2.90	60, 61, <b>62</b> , 167, 169, 171	2419	\$54.00	234
2152	\$34.50	122	2228	\$2.90	<b>170</b> , 171	2268	\$13.00	<b>46</b> , 170, 171	2420	\$38.00	234
2155	\$26.00	248	2229	\$2.90	124, 169, 171, <b>183</b> , 199	2269	\$3.10	<b>170</b> , 171	2421	\$68.00	241
2156	\$156.00	248	2230	\$2.90	<b>61</b> , <b>62</b> , <b>124</b> , <b>125</b> , <b>126</b> , 169, <b>171</b> , <b>180</b> , <b>199</b>	2270	\$2.90	<b>170</b> , 171	2422	\$52.00	235
2157	\$22.00	261	2231	\$2.90	<b>169</b> , 171	2271	\$7.00	<b>130</b> , 169, 171	2423	\$23.50	235
2159	\$40.00	122	2232	\$2.90	<b>169</b> , 171	2280	\$2.90	<b>169</b> , 171	2424	\$14.40	<b>241</b> , 252
2160	\$50.00	122	2233	\$2.90	<b>169</b> , 171	2281	\$16.00	<b>46</b> , 169, 171	2433	\$31.40	173
2166	\$50.00	242	2234	\$2.90	128, <b>169</b> , 171	2282	\$11.50	<b>46</b> , 169, 171	2434	\$32.50	173
2170	\$37.10	237	2235	\$2.90	<b>170</b> , 171	2283	\$11.30	<b>46</b> , 169, 171	2435	\$35.00	173
2174	\$80.00	263	2236	\$2.90	170	2284	\$21.00	<b>46</b> , 170, 171	2436	\$50.00	173
2186	\$70.00	<b>254</b> , 256	2237	\$2.90	170	2285	\$11.00	<b>169</b> , 171	2437	\$65.00	173
2189	\$50.00	258	2238	\$2.90	126, 128, <b>170</b>	2286	\$5.30	46	2454	\$136.50	172
2191	\$39.00	265	2239	\$2.90	110, 113, <b>170</b> , 171	2287	\$1.60	46	2460	\$40.50	172
2192	\$133.90	258	2240	\$3.90	73, <b>170</b> , 171	2288	\$2.60	46	2478	\$48.00	225
2193	\$175.10	258	2241	\$2.90	<b>170</b> , 171	2289	\$2.90	126	2481	\$185.00	241
2194	\$90.00	<b>254</b> , 258	2242	\$5.70	61, 62, <b>169</b> , 171, 189	2293	\$2.90	60, <b>62</b> , 169, 171	2485	\$10.50	236
2195	\$95.00	<b>254</b> , 258	2243	\$8.20	78, 79, 80, <b>170</b> , 171	2295	\$9.10	46	2487	\$220.00	<b>234</b> , 252
2201	\$2.90	49, 60, 61, <b>62</b> , 126, 167, 169, 171	2244	\$8.20	<b>169</b> , 171	2297	\$2.90	<b>37</b> , 170	2489	\$235.00	242
2202	\$2.90	60, 61, <b>62</b> , <b>169</b> , 171	2245	\$14.00	<b>170</b> , 171	2298	\$15.50	79, <b>169</b>	2493	\$126.50	172
2203	\$2.90	60, 61, <b>62</b> , 126, 128, 167, 169, 171, 181, 199	2246	\$6.20	<b>170</b> , 171	2302	\$4.50	233	2496	\$38.00	172
2204	\$4.90	<b>169</b> , 171	2247	\$4.90	<b>169</b> , 171	2303	\$11.50	233	2499	\$3,900.00	252
2205	\$2.90	104, 126, <b>169</b> , 171	2252	\$8.10	<b>169</b> , 171	2305	\$8.10	49, 61, <b>62</b> , 189	2500	\$3,400.00	252
2206	\$2.90	78, <b>170</b> , 171	2253	\$8.20	78, 79, 80, 167, <b>170</b> , 171				2501	\$465.00	241
2207	\$2.90	78, 99, <b>170</b> , 171, 206							2502	\$88.00	243
2208	\$4.00	78, <b>169</b> , 171							2504	\$85.00	172
2209	\$5.50	78, <b>169</b> , 171							2509	\$200.00	<b>234</b> , 252
2210	\$2.90	99, 101, 104, 126, <b>170</b> , 171, 194, 206							2513	\$26.00	243
									2516	\$51.50	172
									2524	\$98.00	173
									2530	\$31.00	173
									2540	\$15.80	235
									2545	\$64.00	235
									2550	\$111.50	243
									2566	\$58.00	234
									2567	\$40.50	<b>246</b> , 249
									2572	\$88.00	243
									2604	\$18.50	250
									2606	\$38.00	234
									2619	\$15.00	235
									2633	\$25.00	<b>157</b> , 235
									2640	\$28.80	172
									2647	\$62.00	236
									2649	\$36.00	235
									2675	\$59.00	245

PN	PRICE	PAGE #
2676	\$33.00	245
2677	\$9.10	246
2678	\$9.30	246
2691	\$17.30	226
2692	\$86.30	239
2694	\$36.00	234
2696	\$52.00	235
2697	\$10.30	235
2699	\$54.00	234
2702	\$41.00	234
2703	\$41.00	234
2711	\$197.00	235
2713	\$90.00	238
2714	\$366.70	238
2723	\$41.20	232
2731	\$99.00	214
2733	\$184.00	218
2734	\$184.00	218
2761	\$260.00	226
2791	\$38.00	250
2792	\$130.00	250
2794	\$24.00	228
2799	\$8.00	229
2801	\$48.00	225
2802	\$48.00	225
2803	\$48.00	225
2804	\$48.00	225
2805	\$48.00	225
2806	\$48.00	225
2807	\$48.00	225
2808	\$48.00	225
2809	\$48.00	225
2810	\$13.30	227
2812	\$56.00	256
2813	\$80.00	236
2814	\$22.70	45
2815	\$80.00	259
2816	\$118.30	<b>259, 262</b>
2817	\$56.70	263
2818	\$66.00	262, <b>264</b>
2821	\$126.00	240
2822	\$84.00	238
2824	\$40.00	238
2825	\$302.80	238
2826	\$19.00	<b>112, 243</b>
2827	\$133.90	123
2828	\$133.90	123
2829	\$133.90	123
2830	\$152.00	123
2831	\$152.00	123
2832	\$152.00	123
2833	\$70.00	245
2834	\$70.00	245
2835	\$76.00	245
2837	\$56.70	246

PN	PRICE	PAGE #
2838	\$75.00	246
2839	\$54.00	245
2841	\$80.00	245
2842	\$80.00	245
2843	\$80.00	245
2844	\$80.00	245
2845	\$80.00	245
2846	\$75.50	244
2848	\$162.00	<b>242, 252</b>
2849	\$170.00	242
2850	\$170.00	110, <b>244</b>
2856	\$48.00	<b>112,</b> 243, 252
2857	\$65.00	244
2858	\$85.00	244
2859	\$18.50	<b>243, 252</b>
2862	\$25.50	<b>164, 232</b>
2868	\$57.00	237
2869	\$66.00	237
2870	\$68.50	237
2871	\$16.00	238
2874	\$75.00	248
2875	\$75.00	248
2876	\$75.00	248
2877	\$75.00	248
2878	\$75.00	248
2879	\$25.00	248
2880	\$25.00	248
2881	\$25.00	248
2882	\$60.00	249
2883	\$72.00	249
2884	\$96.00	249
2885	\$31.00	210
2886	\$24.00	212
2887	\$27.40	210
2888	\$15.50	210
2889	\$39.00	265
2890	\$22.50	265
2891	\$30.00	266
2892	\$22.70	266
2895	\$9.50	264
2896	\$37.00	264
2898	\$15.50	266
2899	\$15.50	266
2900	\$309.00	232
2901	\$350.20	232
2902	\$391.40	232
2904	\$432.60	232
2905	\$26.00	259
2906	\$670.00	262, <b>264</b>
2907	\$44.00	265
2909	\$185.40	263
2910	\$257.50	263
2911	\$257.50	263
2912	\$98.00	263

PN	PRICE	PAGE #
2920	\$360.00	236
2921	\$52.50	236
2922	\$116.00	232
2923	\$30.60	241
2925	\$18.00	239
2928	\$23.00	229
2929	\$37.00	229
2930	\$23.00	229
2931	\$50.00	229
2932	\$113.30	240
2934	\$20.60	115
2935	\$250.00	240
2939	\$140.00	<b>123, 269</b>
2940	\$240.00	242
2941	\$32.00	245
2942	\$36.00	245
2943	\$78.00	227
2945	\$60.00	236
2946	\$8.00	86, <b>224</b>
2947	\$16.50	<b>237</b>
2948	\$8.00	86, <b>224</b>
2950	\$29.00	241
2951	\$25.50	241
2952	\$95.00	224
2953	\$95.00	224
2954	\$48.00	225
2955	\$48.00	225
2956	\$48.00	225
2957	\$48.00	225
2958	\$48.00	225
2960	\$25.00	216
2961	\$12.00	216
2962	\$95.00	224
2963	\$95.00	224
2964	\$95.00	224
2965	\$40.00	214
2966	\$34.00	216
2967	\$6.50	224
2968	\$6.50	224
2969	\$390.00	232
2970	\$450.00	232
2971	\$590.00	232
2972	\$40.00	86, <b>224</b>
2973	\$40.00	86, <b>224</b>
3021	\$18.90	<b>57, 114</b>
3024	\$19.90	<b>31, 32</b>
3030	\$17.10	58
3033	\$2.50	<b>57, 158</b>
3034	\$88.00	54
3036	\$2.10	61, <b>62</b>
3040	\$11.30	58
3042	\$8.20	58
3045	\$9.80	55
3049	\$6.20	58
3054	\$4.90	<b>56, 189</b>

PN	PRICE	PAGE #
3055	\$24.00	<b>56, 189</b>
3056	\$205.00	<b>56, 189</b>
3059	\$200.00	<b>56, 62</b>
3060	\$4.80	<b>56, 60,</b> 61, 62
3061	\$23.50	<b>56, 62</b>
3065	\$24.70	60, 61, <b>62</b>
3066	\$8.00	<b>53, 205</b>
3070	\$9.30	<b>58, 59,</b> 189
3071	\$25.80	61, <b>62</b>
3072	\$8.80	55
3074	\$10.30	61, <b>62</b>
3076	\$8.20	54
3080	\$7.20	58
3085	\$9.00	49, <b>53,</b> 60, 61, 62, 205
3086	\$11.00	<b>55, 61, 62</b>
3088	\$28.80	51, <b>53,</b> 55, 61, 62
3089	\$27.80	51, <b>53,</b> 60, 61, 62
3090	\$6.00	<b>54, 59, 60,</b> 61, 62, 181, 189, 194
3092	\$9.20	49, <b>55,</b> 61, 62
3093	\$9.20	49, 54, 60, 61, <b>62</b>
3096	\$3.00	<b>57, 158</b>
3097	\$1.76	<b>57, 158</b>
3098	\$18.00	53
3099	\$86.00	53
3112	\$400.00	57
3180	\$5.90	<b>56, 60, 62</b>
3181	\$27.50	56
3182	\$255.00	56
3211	\$350.00	57
3320	\$98.00	<b>55, 61, 62</b>
3325	\$3.00	55
3349	\$153.00	55
3350	\$107.00	55
3355	\$194.00	55
3357	\$194.00	55
3359	\$194.00	55
3361	\$194.00	55
3369	\$153.00	55
3370	\$107.00	55
3374	\$161.90	55
3375	\$161.90	55
3376	\$161.90	55
3377	\$161.90	55
3378	\$161.90	55
3379	\$161.90	55



PN	PRICE	PAGE #	PN	PRICE	PAGE #	PN	PRICE	PAGE #	PN	PRICE	PAGE #
3398	\$161.90	55	3642	\$75.10	51	4400	\$545.00	24	4732	\$11.30	45
3399	\$161.90	55	3643	\$75.10	51	4401	\$610.00	24	4733	\$8.30	45
3404	\$161.90	55	3644	\$75.10	51	4411	\$2,145.00	33	4734	\$12.70	45
3405	\$161.90	55	3645	\$75.10	51	4415	\$845.00	<b>24, 34</b>	4735	\$8.50	45
3406	\$194.00	55	4015	\$70.00	32	4416	\$1,010.00	<b>24, 34</b>	4736	\$8.90	45
3429	\$64.00	52	4060	\$215.00	46	4421	\$90.00	31, 32, 33, 34, <b>47,</b> 114, 202	4738	\$3.30	44
3430	\$71.00	52	4076	\$2.30	46				4762	\$190.00	85
3436	\$79.90	52	4080	\$10.40	46	4425	\$125.00	<b>47, 114,</b> 202	4763	\$196.00	85
3437	\$79.90	52	4084	\$58.00	46				4764	\$190.00	85
3438	\$79.90	52	4086	\$41.20	46	4426	\$9.50	<b>47, 114,</b> 202	4765	\$196.00	85
3439	\$79.90	52	4087	\$37.30	46				4772	\$280.00	44
3440	\$79.90	52	4088	\$30.90	46	4427	\$210.00	<b>47, 114,</b> 202	4773	\$300.00	44
3441	\$79.90	52	4089	\$38.20	46				4774	\$280.00	44
3442	\$79.90	52	4090	\$41.20	46	4427	\$210.00	<b>47, 114,</b> 202	4775	\$280.00	44
3443	\$79.90	52	4093	\$24.30	32, <b>47, 114</b>	4430	\$3.20	<b>47, 114,</b> 202	4776	\$280.00	44
3444	\$79.90	52	4096	\$41.20	46				4777	\$280.00	44
3445	\$79.90	52	4098	\$36.20	46	4432	\$5.70	<b>47, 114,</b> 202	4795	\$50.00	44
3450	\$71.00	53	4099	\$30.00	136				4796	\$50.00	44
3457	\$83.90	53	4102	\$440.00	25	4433	\$3.60	<b>47, 114,</b> 202	4797	\$50.00	44
3459	\$83.90	53	4109	\$115.00	32				4798	\$50.00	44
3461	\$83.90	53	4111	\$51.00	46	4434	\$2.20	<b>47, 114,</b> 202	4799	\$50.00	44
3463	\$83.90	53	4120	\$525.00	<b>23, 32</b>				4820	\$320.00	90
3464	\$83.90	53	4121	\$570.00	<b>23, 32</b>	4437	\$2.70	201	4824	\$340.00	90
3470	\$75.00	54	4128	\$1,535.00	23	4440	\$2,435.00	33	4855	\$595.00	90
3474	\$83.90	54	4129	\$1,615.00	23	4442	\$2,400.00	33	4868	\$44.00	93
3475	\$83.90	54	4140	\$1,735.00	33	4444	\$140.00	92	4869	\$40.00	<b>93, 96,</b> 205
3476	\$83.90	54	4142	\$1,700.00	33	4445	\$140.00	<b>24, 92</b>			
3477	\$83.90	54	4145	\$1,305.00	33	4446	\$2,730.00	<b>25, 202</b>	4920	\$320.00	90
3478	\$83.90	54	4152	\$31.60	206	4470	\$935.00	19	4924	\$340.00	90
3479	\$83.90	54	4198	\$168.00	25	4477	\$1,955.00	18	4955	\$595.00	90
3481	\$83.90	54	4220	\$1,530.00	21	4478	\$1,955.00	18	4960	\$880.24	93
3482	\$83.90	54	4221	\$1,530.00	21	4502	\$490.00	<b>25, 32</b>	5060	\$64.00	<b>69, 79,</b> 191
3483	\$83.90	54	4222	\$309.00	85	4511	\$2,530.00	<b>21, 31</b>			
3484	\$83.90	54	4227	\$970.00	21	4540	\$2,830.00	<b>21, 31</b>	5061	\$70.00	<b>69, 79,</b> 191
3491	\$8.20	60, 61, <b>62</b>	4228	\$970.00	21	4542	\$2,720.00	31			
3600	\$71.00	50	4240	\$2,120.00	21	4561	\$40.00	31, 32, 33, <b>93,</b> 96, 119	5062	\$64.00	<b>69, 79,</b> 191
3601	\$79.90	50	4245	\$1,820.00	21				5063	\$20.60	<b>78, 79</b>
3602	\$79.90	50	4271	\$80.00	32	4562	\$50.00	<b>93, 272</b>	5064	\$16.50	<b>78, 79</b>
3603	\$79.90	50	4272	\$60.00	87	4563	\$50.00	<b>93, 272</b>	5065	\$20.60	<b>78, 79</b>
3604	\$79.90	50	4273	\$70.00	87	4564	\$44.00	<b>93, 96</b>	5066	\$14.50	<b>78, 79</b>
3605	\$79.90	50	4274	\$70.00	87	4566	\$30.00	31, 32, 33, <b>93</b>	5067	\$13.50	78
3606	\$79.90	50	4276	\$70.00	87				5068	\$12.00	78
3607	\$79.90	50	4277	\$97.50	31	4568	\$30.00	<b>93, 205</b>	5070	\$49.00	<b>67, 80</b>
3608	\$79.90	50	4282	\$7.00	137	4592	\$40.00	92, 93, <b>94, 95,</b> 119	5080	\$46.00	<b>67, 80</b>
3609	\$79.90	50	4289	\$65.00	88				5082	\$13.00	<b>67, 68,</b> 78, 80
3610	\$79.90	50	4291	\$65.00	88	4706	\$200.00	<b>45, 159</b>	5083	\$16.00	<b>67, 68</b>
3615	\$64.00	50	4321	\$46.00	38	4710	\$3.30	44	5084	\$2.60	78
3624	\$88.00	51	4370	\$775.00	23, 32	4711	\$4.66	44	5088	\$56.00	<b>67, 80</b>
3625	\$9.20	49, <b>51,</b> 60, 62	4376	\$1,795.00	23	4726	\$6.50	45	5090	\$42.00	<b>67, 80</b>
			4380	\$80.00	<b>47, 114,</b> 202	4728	\$16.00	45	5092	\$11.00	<b>67, 68,</b> 78, 80
3631	\$8.00	51				4729	\$5.50	45			
3633	\$0.20	60, <b>62</b>	4381	\$2.60	<b>47, 114,</b> 202	4730	\$6.00	45	5093	\$4.90	78
3635	\$19.00	51				4731	\$8.20	45	5101	\$8.20	75
3640	\$70.00	51	4382	\$80.00	<b>47, 114,</b> 202						
3641	\$75.10	51									

PN	PRICE	PAGE #
5102	\$7.50	75
5107	\$13.00	66, 78, 79
5108	\$20.00	66, 78, 79
5111	\$20.60	69
5112	\$49.00	66, 77, 79
5131	\$46.00	66, 79
5145	\$9.80	78
5148	\$37.00	<b>68, 80</b>
5150	\$37.00	<b>68, 80</b>
5165	\$13.00	78
5166	\$12.00	78
5168	\$23.00	67, <b>78, 80</b>
5169	\$21.00	<b>67, 78, 80</b>
5171	\$6.00	<b>68, 78, 80</b>
5172	\$7.30	<b>78, 80</b>
5179	\$12.00	70
5183	\$24.70	69
5184	\$30.00	68
5185	\$29.00	68
5217	\$11.00	<b>66, 78, 79</b>
5218	\$20.00	<b>66, 78, 79</b>
5220	\$20.60	69
5222	\$43.00	<b>66, 79</b>
5255	\$154.50	<b>77, 251</b>
5256	\$154.50	<b>77, 251</b>
5261	\$100.00	<b>77, 251</b>
5262	\$100.00	<b>77, 251</b>
5267	\$25.00	<b>77, 251</b>
5310	\$96.50	75
5311	\$91.50	75
5312	\$5.00	<b>75, 190</b>
5313	\$50.00	<b>75, 190</b>
5314	\$50.00	<b>75, 190</b>
5363	\$290.00	64
5364	\$355.00	64
5365	\$190.00	64
5366	\$290.00	64
5367	\$355.00	64
5368	\$190.00	64
5369	\$280.00	64
5370	\$345.00	64
5371	\$180.00	64
5372	\$73.00	65
5373	\$93.00	65
5374	\$510.00	65
5375	\$510.00	65
5376	\$550.00	65

PN	PRICE	PAGE #
5377	\$550.00	65
5378	\$240.00	65
5432	\$570.00	<b>65, 89</b>
5433	\$530.00	<b>65, 89</b>
5512	\$49.46	<b>74, 190</b>
5582	\$30.00	<b>77, 251</b>
5585	\$370.00	<b>77, 251</b>
5586	\$370.00	<b>77, 251</b>
5620	\$10.00	<b>72, 161</b>
5621	\$11.00	<b>72, 161</b>
5622	\$20.00	72
5622	\$20.00	161
5623	\$20.00	72
5645	\$9.10	78
5650	\$37.00	<b>68, 80</b>
5655	\$60.00	68
5660	\$29.00	<b>68, 80</b>
5664	\$54.00	68
5670	\$5.00	<b>68, 78, 80</b>
5672	\$7.00	<b>78, 80</b>
5680	\$24.70	69
5681	\$20.60	69
5684	\$24.70	69
5720	\$11.90	71
5740	\$21.20	71
5742	\$21.20	67, 68, <b>71, 78, 80</b>
5745	\$8.80	71
5750	\$2.90	<b>71, 78, 191</b>
5751	\$5.20	71
5752	\$10.30	71
5754	\$2.90	<b>71, 78, 80, 167, 191</b>
5755	\$6.10	<b>72, 78</b>
5756	\$9.00	72
5757	\$14.00	71
5758	\$14.00	71
5765	\$60.00	70
5767	\$46.00	70
5781	\$154.50	176
5782	\$154.50	176
5810	\$30.00	63, <b>73, 74</b>
5811	\$1.70	73
5812	\$3.50	73
5813	\$3.50	73
5814	\$7.40	73
5817	\$34.00	<b>73, 74</b>
5818	\$34.00	<b>73, 74</b>
5820	\$0.70	<b>73, 74</b>
5821	\$2.30	73
5822	\$34.00	<b>75, 205</b>
5823	\$0.90	<b>75, 205</b>
5825	\$64.00	<b>73, 88</b>
5827	\$64.00	<b>73, 88</b>

PN	PRICE	PAGE #
5831	\$6.40	73
5832	\$45.50	73, <b>74</b>
5835	\$15.50	<b>76, 247</b>
5836	\$170.00	<b>76, 247</b>
5837	\$51.50	<b>76, 247</b>
5840	\$11.40	72
5845	\$170.00	72
5848	\$29.90	<b>99, 206</b>
5851	\$215.00	76
5853	\$235.00	76
5860	\$30.00	63, <b>73, 74</b>
5864	\$3.50	73
5865	\$3.50	73
5866	\$6.40	73
5872	\$34.00	63, <b>73, 74</b>
5873	\$34.00	63, <b>73, 74</b>
5877	\$16.50	73
5880	\$25.00	92
5881	\$14.50	92
5882	\$17.00	92
5883	\$19.00	34, <b>92</b>
5884	\$21.00	34, <b>92</b>
5885	\$28.00	92
5887	\$45.50	73, <b>74</b>
5888	\$7.50	73
5889	\$0.70	<b>73, 74</b>
5900	\$6.50	94
5903	\$6.50	94
5905	\$6.50	94
5910	\$6.50	94
5912	\$9.30	272
5915	\$6.50	94
5918	\$6.50	94
5920	\$6.50	94
5923	\$6.50	94
5925	\$6.50	94
5926	\$25.00	92
5929	\$6.20	<b>92, 94</b>
5930	\$6.20	92
5931	\$6.20	92
5932	\$25.00	92
5933	\$30.00	92
5934	\$64.00	92
5935	\$50.40	94
5940	\$40.00	92, 93, <b>94, 95, 119</b>
5941	\$9.00	<b>94, 95, 96</b>
5942	\$9.00	<b>94, 95, 96</b>
5943	\$9.00	<b>94, 95, 96</b>
5945	\$18.00	<b>94, 95</b>

PN	PRICE	PAGE #
5947	\$10.90	<b>93, 95, 96, 119, 166</b>
5948	\$10.90	<b>93, 95, 96, 119, 166</b>
5950	\$18.00	<b>94, 95</b>
5951	\$14.50	92
5952	\$17.00	92
5953	\$19.00	92
5954	\$21.00	92
5955	\$28.00	92
5960	\$40.00	34, <b>94, 95, 119</b>
5961	\$9.00	<b>94, 95, 96</b>
5962	\$9.00	<b>94, 95, 96</b>
5963	\$9.00	<b>94, 95, 96</b>
5965	\$18.00	34, <b>94, 95</b>
5966	\$50.00	<b>93, 95, 272</b>
5967	\$50.00	<b>93, 95, 272</b>
5968	\$50.00	<b>93, 95, 272</b>
5969	\$50.00	<b>93, 95, 272</b>
5970	\$18.00	92, <b>94, 95</b>
5971	\$1.80	95, <b>96</b>
5972	\$1.80	95, <b>96</b>
5976	\$55.00	<b>93, 272</b>
5983	\$11.50	93, <b>96, 119, 166, 205</b>
5987	\$40.00	<b>93, 96</b>
5988	\$30.00	93
5989	\$11.50	<b>93, 96, 119, 166</b>
5997	\$1.10	96
5998	\$1.10	96
6003	\$10.30	104
6004	\$10.30	104
6011	\$2.12	<b>99, 206</b>
6012	\$1.20	<b>99, 206</b>
6013	\$2.20	<b>99, 206</b>
6014	\$0.26	<b>99, 206</b>
6016	\$11.40	<b>99, 206</b>
6018	\$5.80	<b>99, 206</b>
6022	\$2.00	104
6033	\$1.30	104
6034	\$1.10	104
6036	\$0.60	104
6037	\$1.50	<b>126, 128</b>
6038	\$1.10	104
6039	\$1.10	104





PN	PRICE	PAGE #	PN	PRICE	PAGE #	PN	PRICE	PAGE #	PN	PRICE	PAGE #
6042	\$1.60	<b>101</b> , 104, 194	6317	\$165.00	98	6821	\$50.00	<b>74</b> , 205	7068	\$35.20	34, <b>115</b>
6046	\$9.00	<b>100</b> , 104, 193	6320	\$130.00	98	7000	\$17.00	<b>117</b> , 124	7069	\$2.80	<b>117</b> , 118, 126, 203
6047	\$5.50	104	6321	\$130.00	98	7001	\$17.00	33, 34, 38, <b>117</b> , 124, 166, 203	7070	\$22.00	<b>116</b> , 166
6048	\$3.70	104	6322	\$130.00	98	7004	\$30.00	32	7071	\$22.00	116
6049	\$3.00	104	6324	\$165.00	98	7007	\$13.00	38	7073	\$54.00	116
6052	\$5.50	104	6326	\$77.00	99	7009	\$23.10	119	7075	\$22.00	116
6053	\$5.50	104	6327	\$68.00	99	7010	\$13.60	<b>117</b> , 124	7078	\$6.90	<b>121</b> , 166, 271
6054	\$5.50	104	6332	\$130.00	98	7012	\$13.60	<b>117</b> , 124, 166, 203	7079	\$9.00	<b>121</b> , 271
6056	\$6.20	104	6336	\$130.00	98	7014	\$23.10	<b>119</b> , 166	7080	\$26.00	<b>121</b> , 164, 188
6057	\$5.50	104	6337	\$130.00	98	7015	\$13.60	<b>117</b> , 124	7082	\$10.10	164
6070	\$24.00	<b>103</b> , 104, 192, 193	6338	\$165.00	98	7016	\$13.60	31, 32, 33, 34, 106, 107, <b>117</b> , 124, 166, 203	7084	\$24.00	42, <b>121</b> , 164, 188
6093	\$24.00	<b>100</b> , 104	6400	\$107.00	99	7020	\$14.00	<b>117</b> , 124	7085	\$20.50	122
6094	\$24.00	<b>100</b> , 104, 206	6403	\$107.00	99	7021	\$14.00	<b>117</b> , 124, 166, 203	7087	\$26.00	<b>121</b> , 164, 188
6095	\$0.40	<b>103</b> , 104, 192	6405	\$160.00	98	7022	\$4.00	122	7089	\$24.00	<b>121</b> , 164, 188
6096	\$7.80	<b>101</b> , 104, 193	6407	\$160.00	98	7025	\$14.00	<b>117</b> , 124	7090	\$12.60	<b>122</b> , 166
6097	\$14.50	<b>101</b> , 194	6409	\$107.00	99	7026	\$14.00	<b>117</b> , 124, 166, 203	7092	\$13.10	122
6098	\$2.30	97, <b>101</b> , 102, 104, 193, 194, 196	6410	\$160.00	98	7027	\$16.50	<b>117</b> , 166, 203	7094	\$55.00	<b>109</b> , 268
6102	\$6.90	<b>103</b> , 192	6411	\$160.00	98	7028	\$1.50	124, <b>126</b>	7095	\$23.60	116
6103	\$6.90	<b>103</b> , 192	6414	\$160.00	98	7030	\$17.80	<b>117</b> , 124	7096	\$18.20	115
6104	\$6.90	<b>103</b> , 192	6415	\$195.00	98	7031	\$17.80	<b>117</b> , 124	7097	\$19.30	116
6106	\$7.00	<b>103</b> , 192	6416	\$195.00	98	7035	\$17.80	<b>117</b> , 125	7099	\$9.50	106, <b>107</b>
6107	\$8.80	<b>103</b> , 192	6420	\$160.00	98	7036	\$19.00	117	7100	\$9.50	107
6110	\$22.00	<b>103</b> , 192	6422	\$160.00	98	7037	\$17.80	<b>117</b> , 125	7101	\$14.20	95, <b>96</b>
6111	\$24.00	<b>103</b> , 192	6423	\$160.00	98	7038	\$2.00	<b>119</b> , 166	7102	\$14.50	95, <b>96</b>
6112	\$24.00	<b>103</b> , 192	6424	\$195.00	98	7039	\$2.00	<b>119</b> , 166	7103	\$2.10	124, 125, <b>126</b>
6113	\$4.50	<b>103</b> , 192	6426	\$107.00	99	7040	\$22.10	<b>118</b> , 125	7104	\$2.10	124, 125, <b>126</b>
6132	\$24.00	<b>100</b> , 104, 206	6432	\$160.00	98	7045	\$22.10	<b>118</b> , 125	7109	\$7.50	163
6161	\$7.80	100	6436	\$160.00	98	7050	\$16.00	<b>117</b> , 126	7111	\$4.50	132
6162	\$8.90	100	6437	\$160.00	98	7052	\$16.00	34, 38, <b>117</b> , 126, 166, 203	7112	\$5.00	132
6163	\$11.50	<b>100</b> , 205	6438	\$195.00	98	7054	\$16.00	33	7113	\$12.26	<b>121</b> , 271
6165	\$6.50	<b>100</b> , 206	6559	\$180.30	<b>25</b> , 121, 271	7055	\$14.00	118	7114	\$14.70	<b>121</b> , 271
6166	\$44.00	<b>99</b> , 206	6569	\$180.30	<b>25</b> , 121, 271	7056	\$14.00	118	7115	\$14.00	130
6300	\$77.00	99	6735	\$0.20	96	7058	\$1.60	95, 96, 124, 125, <b>126</b>	7116	\$16.50	163
6301	\$68.00	99	6800	\$154.50	175	7059	\$2.80	<b>117</b> , 118, 126	7117	\$63.30	108
6303	\$77.00	99	6801	\$206.00	175	7060	\$19.90	33, 34, <b>115</b> , 166	7119	\$42.00	107
6304	\$68.00	99	6802	\$278.00	175	7064	\$1.60	95, 96, 124, 125, <b>126</b>	7120	\$42.00	107
6305	\$130.00	98	6803	\$21.00	175	7065	\$1.60	124, <b>126</b>	7122	\$5.30	128
6306	\$195.00	<b>102</b> , 192	6804	\$440.00	175				7123	\$2.00	<b>119</b> , 166
6307	\$130.00	98	6805	\$57.00	175				7124	\$2.00	<b>119</b> , 166
6309	\$77.00	99	6806	\$64.00	175				7125	\$112.30	107
6310	\$130.00	98	6807	\$19.50	176				7126	\$2.60	<b>107</b> , 128
6311	\$130.00	98	6808	\$98.00	176				7127	\$5.30	128
6313	\$68.00	99	6812	\$2.10	176				7128	\$5.30	128
6314	\$130.00	98	6813	\$2.80	176				7130	\$50.90	32, <b>115</b>
6315	\$165.00	98	6814	\$21.20	161				7131	\$42.50	115
			6815	\$7.40	161				7132	\$50.00	204
			6816	\$9.30	161						
			6817	\$14.00	161						
			6818	\$50.00	<b>74</b> , 190						
			6819	\$22.00	176						
			6820	\$26.00	175						

PN	PRICE	PAGE #
7133	\$9.00	<b>115</b> , 126, 204
7134	\$60.00	163
7135	\$115.60	106, <b>107</b>
7140	\$9.70	33, <b>122</b> , 166, 204
7141	\$9.70	<b>122</b> , 204
7143	\$660.00	166
7150	\$40.00	<b>118</b> , 125, 186
7151	\$40.00	31, <b>118</b> , 125, 166, 186, 203
7152	\$22.10	118
7154	\$22.10	117, <b>118</b>
7155	\$21.90	<b>118</b> , 186
7156	\$21.90	<b>118</b> , 186, 203
7158	\$19.80	31
7160	\$25.80	<b>119</b> , 125, 186
7161	\$25.80	<b>119</b> , 125, 186
7163	\$25.80	<b>119</b> , 125, 186
7164	\$25.80	<b>119</b> , 125, 166, 186
7166	\$22.70	<b>118</b> , 126, 166, 186
7167	\$22.70	<b>118</b> , 126, 186
7168	\$25.80	<b>119</b> , 186, 204
7169	\$25.80	<b>119</b> , 186, 204
7185	\$3.40	<b>115</b> , 201
7186	\$3.40	115
7187	\$46.00	<b>115</b> , 201
7195	\$55.00	31
7196	\$52.50	31
7197	\$19.20	31
7199	\$142.00	<b>109</b> , 268
7203	\$26.50	31, <b>109</b>
7204	\$28.50	109
7205	\$26.50	38, 106, <b>109</b>
7206	\$28.50	109
7208	\$29.40	<b>107</b> , 128
7209	\$74.00	<b>109</b> , 268
7212	\$103.00	106, <b>107</b>
7217	\$31.00	127, <b>194</b> , 195
7220	\$42.00	106, <b>108</b>
7222	\$66.30	108
7223	\$18.00	<b>108</b> , 110

PN	PRICE	PAGE #
7225	\$120.00	110
7226	\$13.30	127, <b>194</b>
7227	\$57.50	127
7228	\$14.70	127
7229	\$22.10	127
7234	\$13.00	113
7235	\$43.00	127
7236	\$28.00	113
7238	\$25.50	<b>110</b> , 113
7239	\$60.00	113
7241	\$100.00	110
7242	\$20.00	<b>110</b> , 236
7246	\$47.30	112
7247	\$2.70	107, <b>112</b> , 128, 195
7248	\$11.00	<b>112</b> , 195
7250	\$18.00	106, 108, <b>112</b> , 127
7251	\$18.00	<b>112</b> , 127
7252	\$42.00	110
7253	\$3.00	<b>112</b> , 127
7254	\$28.30	<b>110</b> , 127
7260	\$13.70	38, 106, 108, <b>111</b>
7262	\$26.00	160
7265	\$17.00	32, 38, <b>111</b>
7267	\$26.00	<b>45</b> , 159
7268	\$21.00	<b>112</b> , 246, 247
7270	\$30.80	31, 32, 33, 34, <b>111</b> , 188, 205
7274	\$15.30	111
7279	\$15.30	111
7280	\$17.00	33, <b>119</b> , 188
7281	\$15.00	<b>45</b> , 111, 159
7282	\$24.00	112
7283	\$16.00	113
7285	\$17.00	<b>119</b> , 188
7287	\$104.00	201
7288	\$104.00	201
7289	\$118.30	107
7290	\$14.00	112
7291	\$8.00	<b>107</b> , 112
7311	\$10.00	<b>107</b> , 128
7320	\$26.00	31
7321	\$28.00	31, 47, <b>114</b> , 205
7322	\$26.00	163
7324	\$26.00	163
7325	\$109.00	163
7326	\$118.50	163

PN	PRICE	PAGE #
7328	\$118.50	163
7329	\$100.00	163
7800	\$12.60	120
7801	\$12.60	120
7802	\$12.60	120
7803	\$12.60	120
7810	\$14.20	120
7811	\$14.20	120
7812	\$14.20	120
7813	\$14.20	120
7817	\$14.20	120
7821	\$17.90	120
7823	\$17.90	120
7827	\$17.90	120
7831	\$15.20	<b>120</b> , 174
7835	\$20.90	120
7836	\$20.90	120
7842	\$19.50	120
7843	\$19.50	120
7845	\$18.40	120
7847	\$18.40	120
7851	\$18.40	120
7852	\$18.40	120
7900	\$12.60	120
7901	\$12.60	120
7902	\$12.60	120
7903	\$12.60	120
7910	\$14.20	120
7911	\$14.20	120
7912	\$14.20	120
7913	\$14.20	120
7917	\$14.20	120
7921	\$17.90	120
7923	\$17.90	120
7927	\$17.90	120
7931	\$15.20	120
7935	\$20.90	120
7936	\$20.90	120
7945	\$18.40	120
7947	\$18.40	120
7951	\$18.40	120
7952	\$18.40	120
8001	\$370.00	86
8002	\$8.00	86, <b>224</b>
8006	\$370.00	86
8010	\$12.40	86, <b>224</b>
8012	\$18.00	87
8013	\$39.90	<b>87</b> , 198
8021	\$33.00	160
8024	\$11.00	160
8031	\$32.00	70, <b>160</b>
8032	\$16.50	160
8034	\$7.00	59, 101, <b>160</b> , 189, 194

PN	PRICE	PAGE #
8035	\$40.00	<b>18</b> , 19, 21, 23
8037	\$2.50	38
8038	\$3.10	38
8045	\$4.60	162
8046	\$60.90	87
8047	\$60.90	87
8051	\$26.30	87
8052	\$26.30	87
8054	\$1.00	<b>162</b> , 167
8055	\$1.10	162
8058	\$3.20	162
8059	\$12.00	<b>57</b> , 158
8060	\$16.00	156
8061	\$20.00	156
8062	\$20.00	156
8063	\$25.00	159
8067	\$95.00	170
8068	\$41.20	<b>166</b> , 170
8070	\$6.40	104
8071	\$65.00	167
8072	\$25.00	167
8074	\$2.20	162
8078	\$3.30	162
8082	\$4.40	162
8086	\$224.00	168
8089	\$20.00	147, 155, <b>156</b>
8090	\$8.60	162
8092	\$114.00	168
8094	\$34.00	160
8095	\$140.90	168
8110	\$2.50	166
8111	\$17.00	165
8112	\$22.00	165
8113	\$25.00	165
8114	\$22.00	<b>210</b> , 215, 216
8115	\$9.00	164
8119	\$25.50	38
8126	\$0.40	190
8128	\$7.00	<b>37</b> , 190
8134	\$30.00	38
8136	\$3.00	38
8137	\$64.00	<b>36</b> , 88
8139	\$185.00	36
8143	\$190.00	<b>36</b> , 38
8144	\$160.00	36
8145	\$155.00	36
8146	\$36.00	38
8147	\$38.20	38
8158	\$0.50	124, 125, <b>126</b>
8162	\$64.00	<b>36</b> , 88
8164	\$12.00	37



PN	PRICE	PAGE #	PN	PRICE	PAGE #	PN	PRICE	PAGE #	PN	PRICE	PAGE #
8177	\$284.00	36	8349	\$160.00	85	8506	\$309.00	82	8694	\$43.30	222
8178	\$320.00	<b>36, 38</b>	8353	\$422.00	40	8515	\$309.00	82	8695	\$38.10	222
8179	\$294.00	36	8356	\$70.00	89	8522	\$309.00	82	8696	\$11.50	221
8180	\$330.00	36	8357	\$76.00	89	8538	\$309.00	82	8697	\$22.00	<b>157, 217</b>
8181	\$214.00	36	8364	\$84.00	92	8552	\$309.00	82	8698	\$16.90	217
8182	\$250.00	36	8378	\$58.80	88	8561	\$309.00	83	8699	\$12.00	<b>164, 214</b>
8183	\$219.00	36	8379	\$58.80	88	8568	\$309.00	83	8700	\$15.00	217
8184	\$255.00	36	8389	\$210.00	65	8600	\$7.50	215	8706	\$210.00	42
8185	\$450.00	91	8390	\$174.00	90	8601	\$12.70	216	8710	\$265.00	42
8186	\$475.00	91	8393	\$174.00	90	8602	\$14.00	214	8713	\$42.00	42
8203	\$18.40	106	8397	\$220.50	87	8603	\$7.90	212	8718	\$173.10	41
8218	\$145.00	<b>84, 208</b>	8398	\$210.00	87	8610	\$514.00	215	8729	\$450.00	91
8222	\$10.50	87	8400	\$270.00	21, <b>86</b>	8611	\$3.50	153	8730	\$475.00	91
8223	\$450.00	91	8402	\$240.00	91	8612	\$4.00	153	8733	\$800.00	85
8230	\$70.00	89	8404	\$122.00	40	8613	\$3.50	153	8734	\$800.00	85
8231	\$76.00	89	8407	\$40.00	91	8614	\$4.00	153	8735	\$800.00	85
8237	\$475.00	91	8408	\$28.00	83, 84, 208	8615	\$7.00	153	8736	\$800.00	85
8241	\$240.00	91	8409	\$78.00	84, 208	8616	\$7.50	153	8745	\$149.40	41
8242	\$134.00	91	8410	\$32.00	86, 198	8617	\$19.50	88	8747	\$149.40	41
8244	\$40.00	91	8411	\$4.50	86	8618	\$19.50	88	8757	\$265.00	42
8253	\$70.00	88	8413	\$2.50	86	8619	\$13.90	209	8759	\$149.40	41
8255	\$70.00	<b>36, 88</b>	8414	\$7.30	86	8620	\$16.00	157	8762	\$210.00	42
8259	\$70.00	88	8421	\$145.00	84, 208	8621	\$1.80	147, 155, <b>158, 167</b>	8773	\$68.00	41
8294	\$136.50	89	8429	\$220.50	87	8622	\$8.80	157	8774	\$149.40	41
8301	\$18.40	106	8430	\$210.00	87	8625	\$21.00	<b>45, 159</b>	8781	\$221.50	135, <b>167</b>
8303	\$62.00	89	8431	\$180.00	84, 208	8627	\$21.00	<b>45, 159</b>	8786	\$149.40	41
8304	\$64.00	89	8432	\$180.00	84, 208	8628	\$20.00	<b>45, 159</b>	8791	\$210.00	42
8305	\$40.00	91	8438	\$257.50	83	8631	\$8.00	212	8792	\$210.00	42
8306	\$70.00	89	8449	\$210.00	84, 208	8632	\$134.00	91	8793	\$210.00	42
8307	\$76.00	89	8450	\$219.00	84, 208	8633	\$136.00	91	8797	\$149.40	41
8308	\$58.80	88	8453	\$210.00	84, 208	8634	\$104.00	89	8798	\$149.40	41
8309	\$58.80	88	8454	\$190.00	84, 208	8636	\$22.70	<b>215, 216</b>	8801	\$265.00	42
8310	\$82.70	106	8463	\$185.00	84, 208	8647	\$160.00	85	8802	\$265.00	42
8311	\$385.00	40	8464	\$185.00	84, 208	8649	\$29.00	160	8803	\$265.00	42
8312	\$82.70	106	8465	\$78.00	84, 208	8650	\$19.00	160	8807	\$149.40	41
8313	\$85.00	40	8466	\$78.00	84, 208	8651	\$47.00	160	8808	\$149.40	41
8314	\$192.20	106	8470	\$24.00	83, 84, 208, 217	8655	\$30.00	160	8813	\$68.00	<b>41, 42</b>
8316	\$109.80	106	8471	\$24.00	83, 84, 208	8660	\$26.00	153	8814	\$46.40	41
8320	\$384.00	106	8472	\$20.00	83, 84, 165, 208	8663	\$34.00	153	8815	\$46.40	41
8321	\$384.00	106	8474	\$28.00	48, 83, 208	8664	\$38.00	153	8818	\$149.40	41
8322	\$283.50	106	8475	\$28.00	83, 84, 208	8666	\$12.00	158	8821	\$10.76	168
8323	\$218.26	106	8476	\$24.00	83, 84, 208	8669	\$7.40	37	8822	\$10.26	168
8324	\$304.00	106	8478	\$136.00	84, 208	8671	\$10.00	<b>260, 265</b>	8823	\$9.46	168
8326	\$304.00	106	8488	\$221.50	83	8673	\$7.00	<b>260, 265</b>	8824	\$9.46	168
8327	\$287.50	106	8489	\$136.50	89	8674	\$9.00	<b>260, 265</b>	8825	\$8.26	168
8329	\$438.00	106	8493	\$309.00	82	8683	\$23.70	<b>215, 216, 221</b>	8826	\$8.26	168
8331	\$165.00	92	8497	\$309.00	83	8684	\$23.70	221	8827	\$8.26	168
8332	\$136.00	91	8500	\$309.00	82	8687	\$20.00	214, <b>220</b>	8828	\$8.26	168
8333	\$65.00	92				8688	\$12.50	210, 213, <b>220</b>	8829	\$8.26	168
8334	\$65.00	92							8830	\$8.26	168
8335	\$84.00	92							8831	\$8.26	168
8336	\$104.00	89							8832	\$11.06	168
8337	\$62.00	89							8833	\$13.46	168
8338	\$64.00	89							8834	\$13.46	168
8343	\$150.00	92							8835	\$13.46	168

PN	PRICE	PAGE #
8836	\$10.76	168
8837	\$7.00	168
8838	\$4.46	168
8839	\$4.46	168
8840	\$4.06	168
8841	\$4.06	168
8842	\$3.86	168
8843	\$3.86	168
8844	\$3.86	168
8845	\$3.86	168
8846	\$4.76	168
8847	\$4.76	168
8848	\$5.76	168
8849	\$5.76	168
8850	\$5.76	168
8851	\$5.76	168
8852	\$5.76	168
8853	\$4.00	168
8854	\$2.10	168
8855	\$3.26	168
8856	\$3.26	168
8857	\$3.40	168
8858	\$3.26	168
8859	\$3.26	168
8860	\$3.26	168
8861	\$3.26	168
8862	\$3.26	168
8863	\$6.00	168
8864	\$8.00	168
8865	\$8.00	168
8866	\$3.00	168
8867	\$2.00	168
8868	\$3.10	168
8869	\$3.20	168
8870	\$2.26	168
8871	\$2.26	168
8884	\$12.50	168
8885	\$10.00	135, <b>167</b>
8886	\$13.46	168
8887	\$13.46	168
8888	\$13.46	168
8890	\$28.00	<b>213, 220</b>
8904	\$173.10	41
8905	\$197.80	41
8906	\$212.00	41
8907	\$109.80	106
8908	\$192.20	106
8909	\$438.00	106
8912	\$136.00	<b>84, 208</b>
8913	\$190.00	<b>84, 208</b>
8914	\$219.00	<b>84, 208</b>
8917	\$309.00	82
8918	\$309.00	83
8919	\$309.00	82
8921	\$180.00	<b>84, 208</b>

PN	PRICE	PAGE #
8922	\$180.00	<b>84, 208</b>
8923	\$154.50	18, 23, <b>85</b>
8932	\$412.00	216
8933	\$173.10	41
8934	\$173.10	41
8935	\$173.10	41
8938	\$401.70	209
8939	\$136.00	<b>84, 208</b>
8940	\$145.00	<b>84, 208</b>
8941	\$70.00	37
8942	\$46.00	37
8943	\$32.00	37
8944	\$125.00	37
8945	\$190.00	<b>84, 208</b>
8946	\$22.70	37
8949	\$210.00	<b>84, 208</b>
8952	\$219.00	<b>84, 208</b>
8953	\$173.10	41
8954	\$197.80	41
8955	\$212.00	41
8956	\$154.50	18, <b>85</b>
8959	\$58.00	212
8961	\$197.80	41
8962	\$197.80	41
8963	\$197.80	41
8969	\$180.00	<b>84, 208</b>
8972	\$180.00	<b>84, 208</b>
8977	\$212.00	41
8978	\$212.00	41
8979	\$212.00	41
8986	\$185.00	<b>84, 208</b>
8987	\$185.00	<b>84, 208</b>
8990	\$173.10	41
8991	\$197.80	41
8992	\$212.00	41
8993	\$173.10	41
8994	\$197.80	41
8995	\$212.00	41
8996	\$173.10	41
8997	\$197.80	41
8998	\$212.00	41
9001	\$25.00	162
9002	\$6.70	<b>178, 194, 195, 196</b>
9003	\$8.00	178
9004	\$6.00	<b>178, 195, 196</b>
9005	\$7.40	<b>178, 191, 195</b>
9007	\$10.00	183
9010	\$7.20	<b>99, 101, 193, 194, 206</b>

PN	PRICE	PAGE #
9012	\$13.00	97, <b>101, 102, 104, 178, 183, 193, 194</b>
9013	\$1.20	196
9014	\$1.20	196
9015	\$4.80	196
9016	\$4.90	196
9017	\$3.50	196
9019	\$8.30	184
9021	\$3.80	197
9023	\$6.00	184
9024	\$4.20	197
9025	\$3.40	181, <b>184, 197</b>
9026	\$6.20	101, <b>193</b>
9027	\$2.80	183
9028	\$6.90	<b>59, 61, 62, 189</b>
9029	\$6.40	97, <b>101, 102, 104, 193, 194</b>
9035	\$2.50	197
9036	\$3.10	197
9037	\$3.10	197
9038	\$3.20	197
9039	\$4.50	194
9042	\$8.00	197
9043	\$6.00	162
9046	\$6.00	183
9048	\$4.50	196
9049	\$16.50	<b>101, 193</b>
9050	\$2.50	<b>183, 196</b>
9051	\$0.60	183
9052	\$10.26	183
9053	\$100.00	198
9054	\$9.50	198
9055	\$9.00	198
9056	\$8.40	198
9057	\$12.00	198
9058	\$12.00	198
9059	\$6.00	198
9060	\$5.00	198
9061	\$8.00	198
9062	\$9.00	<b>181, 198</b>
9063	\$8.00	198
9064	\$8.00	198
9065	\$0.30	181
9066	\$4.20	<b>101, 181, 194</b>
9067	\$8.30	181
9068	\$6.80	181
9069	\$6.30	181
9070	\$22.00	181
9071	\$12.00	198

PN	PRICE	PAGE #
9080	\$5.70	<b>199, 200</b>
9081	\$34.00	<b>199, 200</b>
9082	\$24.00	<b>101, 194</b>
9083	\$17.50	<b>199, 200</b>
9084	\$12.30	<b>199, 200</b>
9085	\$8.50	<b>199, 200</b>
9086	\$8.50	<b>199, 200</b>
9087	\$26.00	200
9088	\$29.00	199
9089	\$12.40	199
9090	\$30.90	199
9093	\$12.00	196
9094	\$10.00	196
9095	\$5.00	196
9097	\$10.00	195
9098	\$5.00	<b>195, 196</b>
9105	\$14.00	195
9106	\$1.80	<b>195, 196</b>
9107	\$10.80	195
9108	\$7.20	195
9109	\$5.50	196
9114	\$24.00	181
9115	\$28.00	181
9116	\$26.00	181
9117	\$20.00	184
9118	\$157.10	<b>108, 204</b>
9121	\$12.40	<b>102, 194</b>
9122	\$19.10	191
9123	\$9.60	<b>101, 193</b>
9124	\$12.40	<b>102, 194</b>
9125	\$10.50	<b>101, 193</b>
9126	\$10.30	194
9127	\$10.00	195
9128	\$9.00	191
9134	\$38.00	204
9137	\$48.00	191
9138	\$2.50	194
9139	\$39.00	194
9140	\$17.00	195
9141	\$17.00	<b>101, 193</b>
9142	\$23.00	196
9143	\$18.40	196
9144	\$22.00	<b>102, 194</b>
9145	\$32.00	195
9146	\$294.00	183
9147	\$20.00	183
9148	\$22.00	183
9149	\$20.00	184
9150	\$26.80	<b>59, 189</b>
9151	\$27.00	183
9152	\$15.60	183
9153	\$15.60	183
9154	\$100.00	180
9155	\$22.00	109
9157	\$16.00	<b>179, 180</b>



PN	PRICE	PAGE #	PN	PRICE	PAGE #	PN	PRICE	PAGE #	PN	PRICE	PAGE #
9158	\$10.00	<b>179</b> , 180	9292	\$80.00	187	9361	\$36.00	43, <b>219</b>	9649	\$0.50	124, 125, <b>126</b>
9159	\$6.20	191	9293	\$65.00	187	9362	\$28.00	43, <b>219</b>	9651	\$1.40	61, <b>62</b>
9160	\$14.40	<b>101</b> , 193	9298	\$36.06	187	9363	\$70.00	43, <b>219</b>	9659	\$0.50	60, 61, <b>62</b>
9161	\$7.50	<b>179</b> , 180	9299	\$36.00	187	9364	\$24.00	209, <b>220</b>	9670	\$0.70	<b>53</b> , 60, 61, 62
9162	\$40.00	191	9302	\$99.00	176	9365	\$22.00	222	9674	\$0.70	<b>54</b> , 55, 60, 61, 62
9163	\$20.00	195	9303	\$260.00	257	9368	\$41.20	222	9675	\$0.50	96
9164	\$17.00	196	9304	\$30.40	210	9370	\$19.00	222	9676	\$0.70	<b>51</b> , 60, 62
9165	\$16.20	196	9305	\$7.20	185	9372	\$68.20	43, <b>219</b>	9677	\$0.50	60, 61, <b>62</b>
9166	\$10.50	<b>102</b> , 194	9306	\$15.00	185	9373	\$68.20	43, <b>219</b>	9700	\$5.00	157
9167	\$21.00	<b>180</b> , 182	9307	\$33.00	185	9374	\$68.20	43, <b>219</b>	9704	\$1.00	58
9168	\$32.00	<b>180</b> , 182	9308	\$20.00	<b>179</b> , 185	9377	\$48.00	213, <b>220</b>	9705	\$27.00	155, <b>156</b>
9169	\$60.00	<b>180</b> , 182	9309	\$20.00	<b>179</b> , 185	9390	\$21.00	209	9706	\$34.00	156
9171	\$4.40	<b>102</b> , 194	9310	\$32.00	176	9400	\$184.00	270	9741	\$0.20	104
9172	\$36.00	187	9311	\$8.00	180	9401	\$124.00	270	9746	\$0.50	<b>99</b> , 104, 206
9173	\$36.00	187	9312	\$54.00	180	9402	\$148.00	269	9750	\$0.50	<b>99</b> , 104, 206
9174	\$13.00	191	9313	\$7.90	185	9404	\$148.00	<b>123</b> , 269	9784	\$3.10	131
9177	\$3.90	191	9314	\$21.00	185	9405	\$178.00	270	9785	\$3.10	131
9180	\$10.00	184	9315	\$28.00	182	9406	\$165.00	270	9786	\$3.10	131
9184	\$18.50	197	9316	\$24.00	156	9407	\$170.00	270	9787	\$3.10	131
9186	\$14.00	<b>59</b> , 189	9317	\$18.00	187	9408	\$130.00	270	9788	\$3.10	131
9187	\$64.40	<b>108</b> , 195	9318	\$23.70	180	9410	\$8.00	179	9789	\$0.20	104
9188	\$64.40	<b>108</b> , 195	9319	\$13.00	180	9411	\$3.60	178	9790	\$0.20	128
9224	\$3.70	86	9320	\$17.00	179	9412	\$3.60	178	9796	\$0.80	95, 96, <b>126</b>
9234	\$1.00	162	9321	\$12.00	180	9413	\$3.60	178	9797	\$0.80	95, <b>96</b>
9235	\$1.50	162	9322	\$16.00	180	9420	\$420.00	257	9799	\$0.60	96
9236	\$3.50	162	9323	\$4.00	185	9422	\$21.00	256	9833	\$0.80	95, <b>96</b>
9237	\$19.80	185	9324	\$18.70	182	9423	\$220.00	257	9950	\$3.00	161
9240	\$13.80	228	9325	\$11.00	155, <b>156</b>	9424	\$252.00	257	9951	\$2.20	161
9242	\$13.80	228	9326	\$22.00	<b>59</b> , 189	9425	\$268.00	257	1201B	\$20.00	154
9243	\$42.00	188	9327	\$14.00	190	9570	\$13.00	218	1201R	\$20.00	154
9244	\$10.80	228	9328	\$19.50	183	9571	\$30.00	218	1202B	\$20.00	154
9245	\$70.00	228	9329	\$4.50	99, 103	9572	\$65.00	218	1202R	\$20.00	154
9247	\$48.00	230	9330	\$5.00	132	9575	\$140.00	211	1203B	\$20.00	154
9248	\$48.00	230	9331	\$5.00	132	9576	\$140.00	211	1203R	\$20.00	154
9249	\$36.00	230	9332	\$4.20	132	9577	\$140.00	211	1204B	\$20.00	154
9254	\$36.00	230	9333	\$5.00	132	9578	\$110.00	211	1204R	\$20.00	154
9257	\$6.76	180	9334	\$22.00	185	9579	\$140.00	211	1205B	\$20.00	154
9258	\$17.50	<b>226</b> , 230	9335	\$22.00	185	9580	\$110.00	211	1205R	\$20.00	154
9260	\$12.40	227	9336	\$3.40	185	9581	\$100.00	211	1206B	\$20.00	154
9275	\$74.70	<b>108</b> , 204	9337	\$3.40	185	9582	\$140.00	211	1206R	\$20.00	154
9277	\$65.00	174	9338	\$20.00	143	9583	\$110.00	211	1207B	\$20.00	154
9279	\$30.00	<b>165</b> , 208	9339	\$7.40	143	9584	\$104.00	218	1207R	\$20.00	154
9280	\$25.00	165	9340	\$4.00	161	9587	\$50.00	227	1208B	\$20.00	154
9281	\$21.00	165	9341	\$8.50	<b>143</b> , 263	9601	\$0.20	60, 61, <b>62</b>	1208R	\$20.00	154
9282	\$34.00	165	9342	\$6.00	<b>143</b> , 263	9602	\$0.20	104	120N	\$4.60	44
9283	\$14.00	165	9343	\$19.50	143	9614	\$2.00	76	120P	\$7.30	44
9284	\$15.00	165	9347	\$26.00	<b>59</b> , 189	9615	\$7.00	76	120PT	\$11.80	44
9285	\$14.00	165	9350	\$18.00	<b>153</b> , 247	9616	\$5.00	76	120T	\$12.80	44
9286	\$16.00	<b>57</b> , 59, 158, 189	9351	\$20.00	<b>153</b> , 247	9617	\$13.50	76	121N	\$4.60	44
9287	\$8.00	<b>57</b> , 155, 158	9352	\$22.00	153	9631	\$19.50	88	121P	\$11.80	44
9288	\$2.50	<b>155</b> , 156	9353	\$24.00	153	9632	\$9.00	76			
9289	\$3.00	<b>157</b> , 217	9356	\$13.50	164	9633	\$13.50	76			
9290	\$65.00	187	9358	\$42.00	40	9634	\$6.30	76			
			9359	\$62.00	40	9648	\$1.40	60, <b>62</b>			
			9360	\$36.00	43, <b>219</b>						

PN	PRICE	PAGE #
121PT	\$11.80	44
121T	\$12.80	44
1401B	\$54.00	154
1401R	\$54.00	154
1402B	\$54.00	154
1402R	\$54.00	154
1403B	\$54.00	154
1403R	\$54.00	154
1404B	\$54.00	154
1404R	\$54.00	154
1405B	\$54.00	154
1405R	\$54.00	154
1406B	\$54.00	154
1406R	\$54.00	154
1407B	\$54.00	154
1407R	\$54.00	154
1408B	\$54.00	154
1408R	\$54.00	154
1409B	\$54.00	154
1409R	\$54.00	154
1417B	\$54.00	154
1417R	\$54.00	154
1418B	\$54.00	154
1418R	\$54.00	154
1419B	\$54.00	154
1419R	\$54.00	154
1602B	\$120.00	154
1602R	\$120.00	154
1603B	\$120.00	154
1603R	\$120.00	154
1605B	\$120.00	154
1605R	\$120.00	154
1608B	\$120.00	154
1608R	\$120.00	154
1701B	\$120.00	<b>154</b> , 198
1701R	\$120.00	<b>154</b> , 198
1702B	\$120.00	<b>154</b> , 198
1702R	\$120.00	<b>154</b> , 198
1703B	\$120.00	<b>154</b> , 198
1703R	\$120.00	<b>154</b> , 198
1706B	\$120.00	<b>154</b> , 198
1706R	\$120.00	<b>154</b> , 198
1708B	\$120.00	<b>154</b> , 198
1708R	\$120.00	<b>154</b> , 198
212B	\$90.00	48, <b>149</b>
212R	\$90.00	48, <b>149</b>
222B	\$51.00	150
222C	\$11.00	150
222R	\$51.00	150
2307-1	\$1.50	269
231B	\$48.00	150
231C	\$13.60	150
231R	\$48.00	150
232B	\$48.00	150
232C	\$13.60	150

PN	PRICE	PAGE #
232R	\$48.00	150
233B	\$48.00	150
233C	\$13.60	150
233R	\$48.00	150
235B	\$48.00	<b>150</b> , 190
235C	\$13.60	<b>150</b> , 190
235R	\$48.00	<b>150</b> , 190
236B	\$48.00	150
236C	\$13.60	150
236R	\$48.00	150
242B	\$70.00	152
242R	\$70.00	152
243B	\$130.00	152
243R	\$130.00	152
246B	\$130.00	152
246R	\$130.00	152
252B	\$94.00	151
252R	\$94.00	151
253B	\$210.00	151
253R	\$210.00	151
255B	\$130.00	152
255R	\$130.00	152
256B	\$130.00	152
256R	\$130.00	152
302B	\$80.00	48, <b>149</b>
302CT	\$26.00	48, <b>149</b>
302R	\$80.00	48, <b>149</b>
302T	\$21.00	48, <b>149</b>
322B	\$90.00	48, <b>149</b>
322CT	\$27.00	48, <b>149</b>
322R	\$90.00	48, <b>149</b>
322T	\$22.70	48, <b>149</b>
332B	\$101.00	150
332C	\$19.00	150
332R	\$101.00	150
3430C	\$93.76	52
343B	\$164.00	152
343R	\$164.00	152
348B	\$164.00	152
348R	\$164.00	152
349B	\$164.00	152
349R	\$164.00	152
350B	\$164.00	152
350R	\$164.00	152
402B	\$86.00	48, <b>149</b>
402CT	\$30.00	48, <b>149</b>
402R	\$86.00	48, <b>149</b>
402T	\$18.00	48, <b>149</b>
421B	\$220.00	151
421R	\$220.00	151
422B	\$116.00	151
422R	\$116.00	151
423B	\$220.00	151
423R	\$220.00	151
425B	\$220.00	151

PN	PRICE	PAGE #
425R	\$220.00	151
426B	\$236.00	151
426R	\$236.00	151
427B	\$220.00	151
427R	\$220.00	151
428B	\$236.00	151
428R	\$236.00	151
431B	\$96.00	48, <b>149</b>
431CT	\$33.00	48, <b>149</b>
431R	\$96.00	48, <b>149</b>
431T	\$22.00	48, <b>149</b>
432B	\$96.00	48, <b>149</b>
432CT	\$33.00	48, <b>149</b>
432R	\$96.00	48, <b>149</b>
432T	\$22.00	48, <b>149</b>
433B	\$96.00	48, <b>149</b>
433CT	\$33.00	48, <b>149</b>
433R	\$96.00	48, <b>149</b>
433T	\$22.00	48, <b>149</b>
435B	\$96.00	48, <b>149</b> , 190
435CT	\$33.00	48, <b>149</b> , 190
435R	\$96.00	48, <b>149</b> , 190
435T	\$22.00	48, <b>149</b> , 190
436B	\$96.00	48, <b>149</b>
436CT	\$33.00	48, <b>149</b>
436R	\$96.00	48, <b>149</b>
436T	\$22.00	48, <b>149</b>
510B	\$260.00	151
510R	\$260.00	151
511B	\$260.00	<b>151</b> , 192
511R	\$260.00	<b>151</b> , 192
512B	\$260.00	151
512R	\$260.00	151
513B	\$260.00	151
513R	\$260.00	151
DO4000	\$4,200.00	16
DO4001	\$3,500.00	16
DO4002	\$1,800.00	16
DO4050	\$4,200.00	16
DO4051	\$3,500.00	16
DO4052	\$1,800.00	16
DS4000	\$4,900.00	15
DS4001	\$4,400.00	15
DS4002	\$1,200.00	15
DS4050	\$4,900.00	15
DS4051	\$4,400.00	15
DS4052	\$1,200.00	15
DW4000	\$3,200.00	16
DW4050	\$3,200.00	16
P050	\$2,931.40	236
S601	\$0.80	152

PN	PRICE	PAGE #
S601B	\$64.00	152
S601R	\$64.00	152
S603	\$0.80	152
S603B	\$64.00	152
S603R	\$64.00	152
S605	\$0.80	152
S605B	\$64.00	152
S605R	\$64.00	152
S610	\$0.70	152
S610B	\$71.00	152
S610R	\$71.00	152
S611	\$0.70	152
S611B	\$71.00	152
S611R	\$71.00	152
S615	\$0.80	<b>152</b> , 191
S615B	\$64.00	152
S615R	\$64.00	152
SV05	\$2.00	153
SV05R	\$167.00	153
W1100	\$980.00	<b>113</b> , 233
W2100	\$1,300.00	<b>113</b> , 233





## THIRD PARTY TRADEMARK NOTICE

A-dec® is a registered trademark of A-dec, Inc. of Newberg, Oregon. Dentech® is a registered trademark of Alliance H., Inc. of Sumas, Washington. Midmark® is a registered trademark of Midmark Corp. of Versailles, Ohio. Tapmaster® is a registered trademark of Tapmaster Inc. of Calgary, Canada. Pelton & Crane™ is a trademark of Pelton & Crane of Charlotte, North Carolina. Marus™ is a trademark of Marus Dental International of Newberg, Oregon. DENTSPLY® is a registered trademark of DENTSPLY International Inc. of York, Pennsylvania. Belmont® is a registered trademark of Takara Belmont USA, Inc. of Somerset, New Jersey. Tuttnauer® is a registered trademark of Tuttnauer USA Company, Ltd. of Hauppauge, New York. DentalEZ® is a registered trademark of DentalEZ, Inc. of Malvern, Pennsylvania. SciCan® is a registered trademark of SciCan Ltd. of Canonsburg, Pennsylvania. RAMVAC® is a registered trademark of RAMVAC Dental Products, Inc. of Spearfish, South Dakota. The parts described in this catalog are manufactured by DCI to fit products manufactured and sold by third parties under the foregoing third party trademarks.



*2015-2016 Product Catalog*

*[www.dcionline.com](http://www.dcionline.com) | 1-800-624-2793*